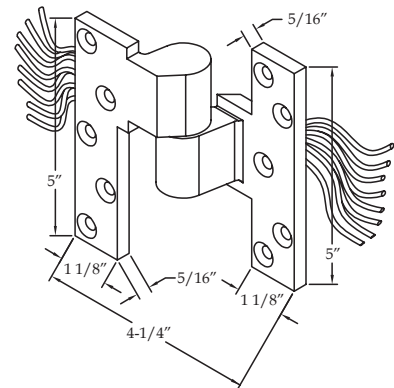


Electrified Intermediate Pivots

E019 Intermediate Pivot - Electrified - 3/4" Offset

Standard Features

- Provides electrical power transfer from the frame to the door
 - (8) 30 AWG Wires
- Mortises into side jamb and hinge edge of door
- Handed - Specify LH or RH
- For use with 3/4" offset pivot sets
- UL listed for use on 3-hour fire rated doors - **Standard**
- Heavy duty stainless steel needle bearings
- Stainless steel base material



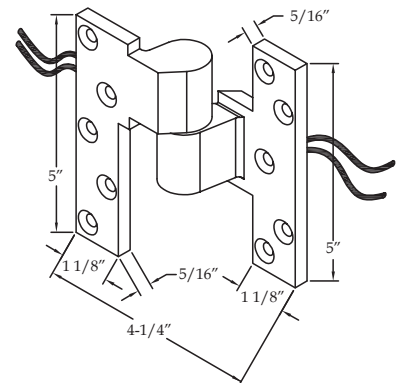
Options

- EZ - EZ Connect Molex® Connectors for installation ease
- SEC - Security fasteners

E019U Intermediate Pivot - Electrified - 3/4" Offset

Standard Features

- Provides electrical power transfer from the frame to the door
 - Large inrush current
 - (2) 18 AWG Wires
 - Each wire is rated at 2 amps continuously
- Mortises into side jamb and hinge edge of door
- Handed - Specify LH or RH
- For use with 3/4" offset pivot sets
- UL listed for use on 3-hour fire rated doors - **Standard**
- Heavy duty stainless steel needle bearings
- Stainless steel base material



Options

- EZ - EZ Connect Molex® Connectors for installation ease
- SEC - Security fasteners

