

# MINOR THREAT

PLEASE REGISTER YOUR FRAME AT:  
[CHROMAGBIKES.COM/FRAMES](http://CHROMAGBIKES.COM/FRAMES)

## OWNER'S MANUAL

- △ USE GREASE WHEN INSTALLING YOUR BOTTOM BRACKET
- △ USE GREASE WHEN INSTALLING YOUR HEADSET
- △ USE GREASE WHEN INSTALLING YOUR SEATPOST



At Chromag we like designing stuff ourselves. That's how we started, by making the frames and parts we always wanted. It starts with our own personal use and extends to the community in one of the best testing environments in the world, here in the rugged Coast Mountains of British Columbia, Canada.

As we grow we are continually evolving and refining our designs and expanding our product offering.

We are a passionate group of mountain bikers who have chosen a lifestyle centered around mountain biking. We value quality products that are suitable for our style of riding, we are creative in our style and our sport, and we are committed to providing exceptional customer service.

So we just wanted to say... welcome to the Chromag family and thanks for purchasing a frame and supporting the brand, we do really appreciate it.

Over the years we have dedicated a lot of time to designing great feeling bikes that you'll enjoy riding for a long time. But, before the fun begins please store this owner's manual for safe keeping. If your bike is ever stolen the serial number is definitive proof that the bike is yours.

#### OUR FRAMES ARE INTENDED FOR:

A wide range of trail riding including uphill and downhill riding over off-road single track and uneven terrain. They are made for a variety of ground surfaces and obstacles including rocks, roots, logs and man-made features such as bridges, rollers and berms.

#### CARE AND MAINTENANCE

Keep your frame clean. Dirt and road grime lead to oxidation and fading of the finish, and they make it hard to do a thorough inspection. Dirt will accelerate any abrasion of the paint that comes from rubbing, such as places where the cable housing touches the frame. In extreme cases, this type of abrasion could remove frame material. We recommend applying a frame protectant

tape to increase durability and prolong the life of the paint job.

When your bicycle is not being ridden, store it where it will be protected from rain, snow, sun, salt etc. If your bicycle was exposed to moisture during a ride, thoroughly dry the bicycle before storing it. If water got inside the frame, tilt the bicycle to drain the water. If necessary, remove the seat post and turn the bicycle upside down. This is especially critical if there is a large amount of water inside. If water freezes inside your frame, the expansion of the ice can crack and rupture the structure.

Always ensure that there is a thin film of protectant/grease applied to any internal areas of the frame that are reachable e.g. bottom bracket, seat tube, head tube. Regularly take out and re-grease the seat post to minimize the chance of the post becoming seized. You can also use an oil-spray coating product like Fluid-Film to protect internal surfaces.

Before storing your bicycle, clean and lubricate the frame with a frame wax, polish, or protectant. Do not store the bicycle near electric motors, as ozone from motors destroys paint. Before riding the bicycle again, check over the bicycle to be certain it is in good working order.

#### INSPECTION

Before every ride carefully inspect your frame for signs of fatigue. If any frame part shows signs of damage or fatigue, consult your dealer or replace the frame before riding the bicycle.

#### FRAME SPECIFICATIONS:

For current frame specifications visit our website.

#### CHROMAG BIKES LIMITED WARRANTY

Chromag Bikes warrants that its frames will be free of defects in materials or workmanship for one year after they are first purchased or as per the local laws in the region of purchase. This warranty only applies to the original owner and is not transferable. Any warranty claim must include the original purchase receipt and the serial number on the frame must be visible and legible. This warranty only

covers damage that is deemed to be the result of a manufacturing defect.

General wear and tear is not covered under warranty. Nor does the warranty cover damage from improper installation, rider error, extreme use, misuse or abuse. It does not cover damage that results from or to other parts/components of the bike. Chromag recommends professional installation and assembly when building, servicing and changing parts on the bike.

This warranty will not apply to products that have gone beyond their product life span. Product life span is defined as the normal usable length of time any product should last. If a product has failed due to the fact that it has reached this point in less time than the 1 year warranty, this does not indicate a manufacturer's defect. Professional use or high level training & circumstances that involve extreme frequency of use, can accelerate fatigue and reduce the lifespan of a product.

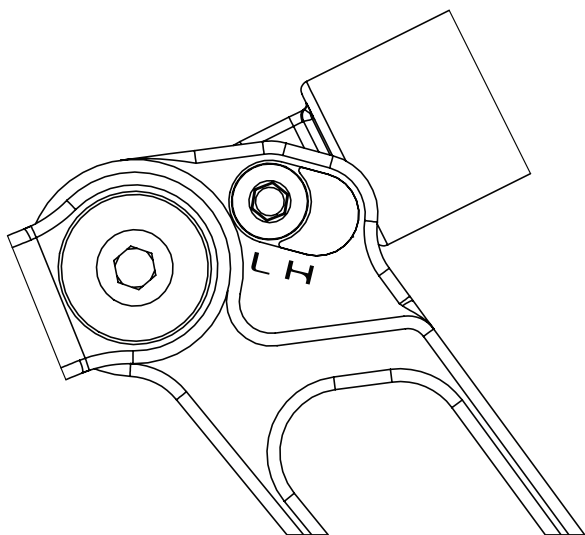
**WARNING:** Cycling can be dangerous. Bicycle products should be installed and serviced by a professional mechanic. Never modify your bicycle or accessories. Read and follow all product instructions and warnings including information on the manufacturer's website. Before every ride check over the bicycle to be certain it is in good working order. Always wear a helmet.

Additional Product and Safety Information for Chromag parts can be found on our website: [chromagbikes.com/product-user-guides](http://chromagbikes.com/product-user-guides)

For non-Chromag parts please refer to the manufacturer's website for their individual part manuals.

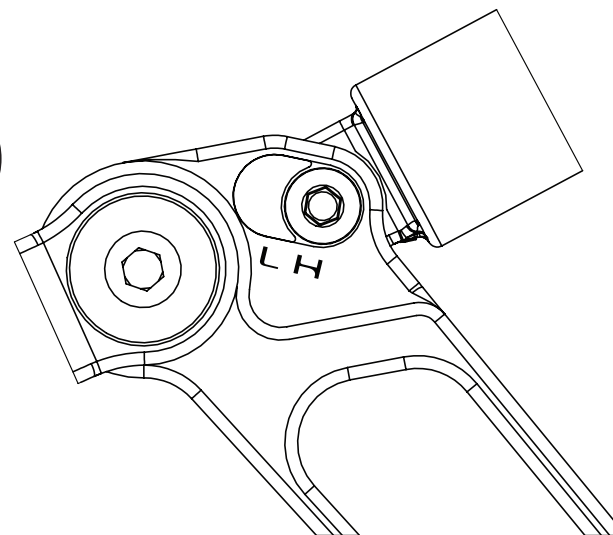
**WARNING:** An improperly modified frame, or component can cause serious injury or even death. NEVER MODIFY YOUR FRAMESET.

**WARNING:** A crash or other impact can put extraordinary stress on bicycle components, causing them to fatigue prematurely. Components suffering from stress fatigue can fail suddenly and catastrophically, causing loss of control, serious injury or death.



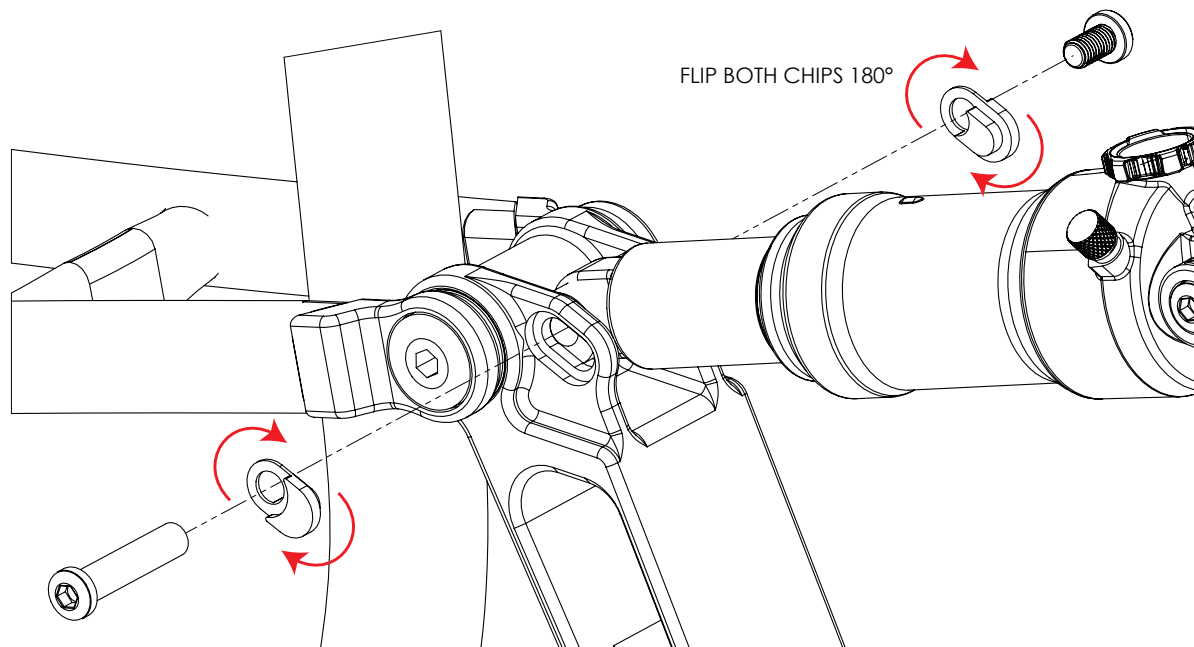
**"LOW" GEOMETRY POSITION**

SLACKER HEADTUBE ANGLE, SLACKER SEATTUBE ANGLE,  
LOWER BOTTOM BRACKET.  
PRIORITIZES DESCENDING PERFORMANCE FOR  
DOWNHILL & BIKE PARK RIDING.



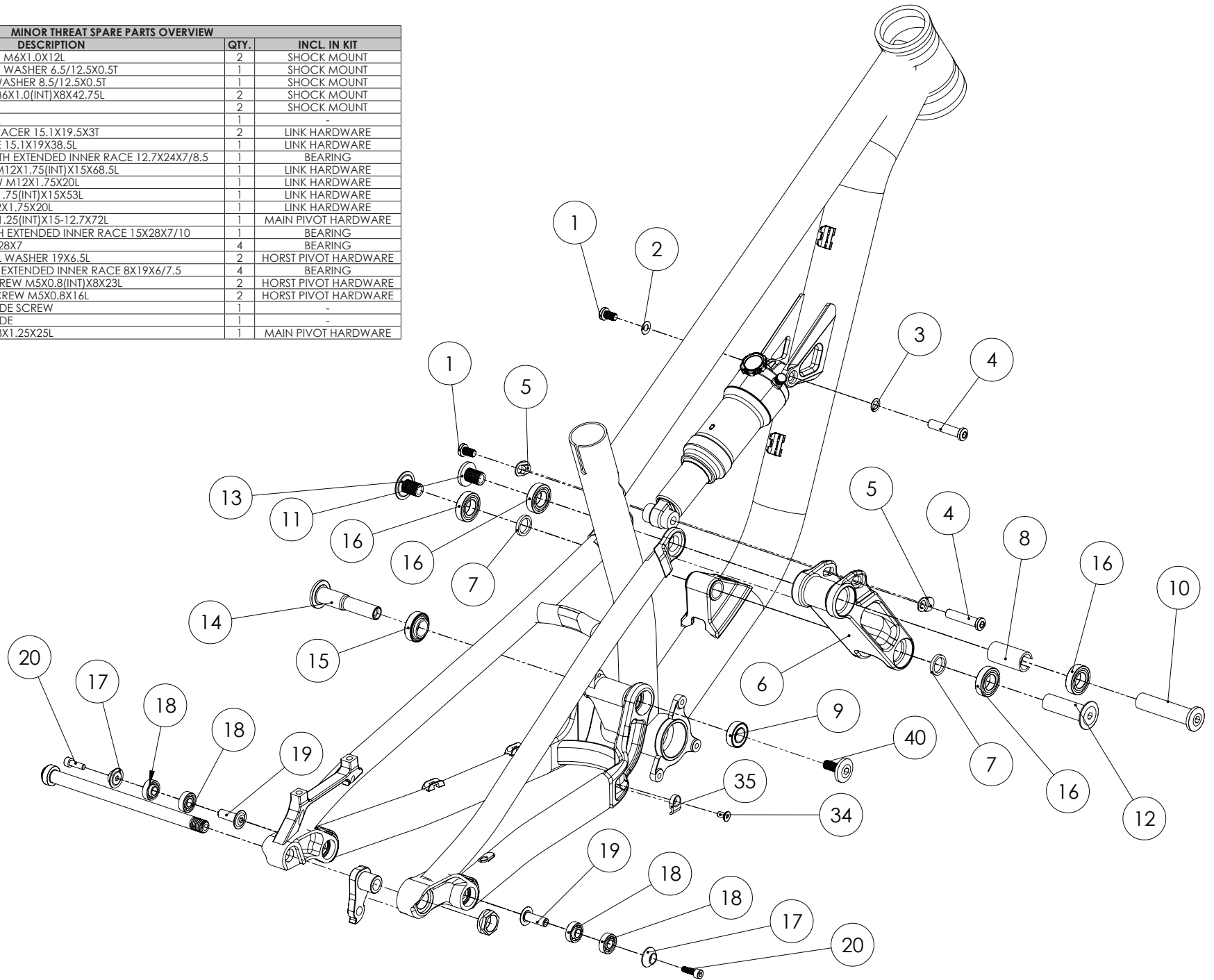
**"HIGH" GEOMETRY POSITION**

STEEPER HEADTUBE ANGLE, STEEPER SEATTUBE ANGLE,  
HIGHER BOTTOM BRACKET.  
BETTER CLIMBING POSITION AND MORE BALANCED  
GEOMETRY FOR ALL-MOUNTAIN TRAIL RIDING.



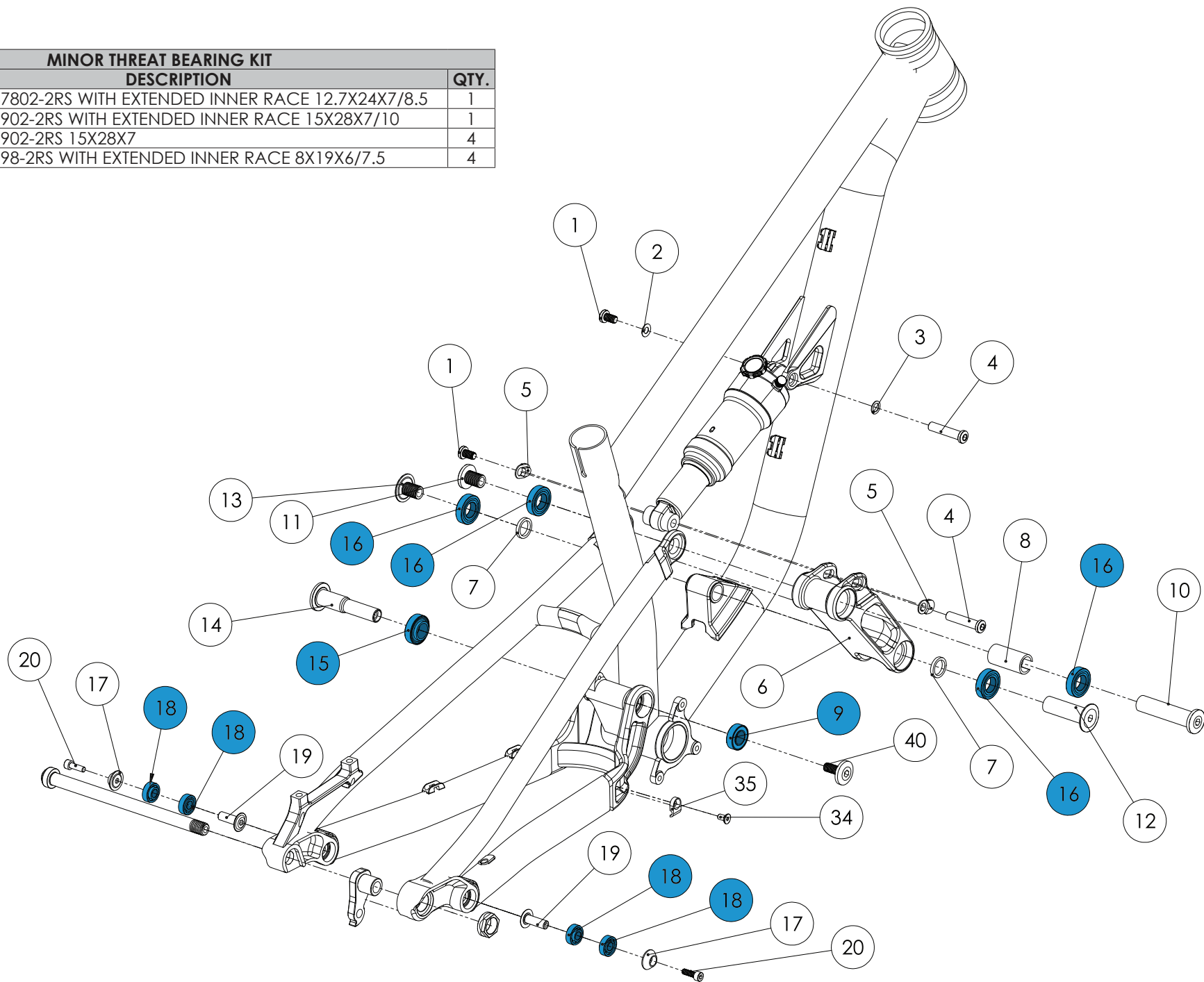


| MINOR THREAT SPARE PARTS OVERVIEW |  |      |                      |
|-----------------------------------|--|------|----------------------|
| ITEM NO.                          | DESCRIPTION  | QTY. | INCL. IN KIT         |
| 1                                 | SHOCK MOUNT SCREW M6X1.0X12L                             | 2    | SHOCK MOUNT          |
| 2                                 | SHOCK MOUNT SCREW WASHER 6.5/12.5X0.5T                   | 1    | SHOCK MOUNT          |
| 3                                 | SHOCK MOUNT AXLE WASHER 8.5/12.5X0.5T                    | 1    | SHOCK MOUNT          |
| 4                                 | SHOCK MOUNT AXLE M6X1.0(INT)X8X42.75L                    | 2    | SHOCK MOUNT          |
| 5                                 | FLIP CHIP  | 2    | SHOCK MOUNT          |
| 6                                 | MAIN SUSPENSION LINK                                     | 1    | -                    |
| 7                                 | LINK PIVOT BEARING SPACER 15.1X19.5X3T                   | 2    | LINK HARDWARE        |
| 8                                 | SEATSTAY PIVOT SLEEVE 15.1X19X38.5L                      | 1    | LINK HARDWARE        |
| 9                                 | BEARING 37802-2RS WITH EXTENDED INNER RACE 12.7X24X7/8.5 | 1    | BEARING              |
| 10                                | SEATSTAY PIVOT AXLE M12X1.75(INT)X15X68.5L               | 1    | LINK HARDWARE        |
| 11                                | SEATSTAY PIVOT SCREW M12X1.75X20L                        | 1    | LINK HARDWARE        |
| 12                                | LINK PIVOT AXLE M12X1.75(INT)X15X53L                     | 1    | LINK HARDWARE        |
| 13                                | LINK PIVOT SCREW M12X1.75X20L                            | 1    | LINK HARDWARE        |
| 14                                | MAIN PIVOT AXLE M8X1.25(INT)X15-12.7X72L                 | 1    | MAIN PIVOT HARDWARE  |
| 15                                | BEARING 6902-2RS WITH EXTENDED INNER RACE 15X28X7/10     | 1    | BEARING              |
| 16                                | BEARING 6902-2RS 15X28X7                                 | 4    | BEARING              |
| 17                                | HORST PIVOT CONICAL WASHER 19X6.5L                       | 2    | HORST PIVOT HARDWARE |
| 18                                | BEARING 698-2RS WITH EXTENDED INNER RACE 8X19X6/7.5      | 4    | BEARING              |
| 19                                | HORST PIVOT INNER SCREW M5X0.8(INT)X8X23L                | 2    | HORST PIVOT HARDWARE |
| 20                                | HORST PIVOT OUTER SCREW M5X0.8X16L                       | 2    | HORST PIVOT HARDWARE |
| 34                                | CHAINSTAY CABLE GUIDE SCREW                              | 1    | -                    |
| 35                                | CHAINSTAY CABLE GUIDE                                    | 1    | -                    |
| 40                                | MAIN PIVOT SCREW M8X1.25X25L                             | 1    | MAIN PIVOT HARDWARE  |



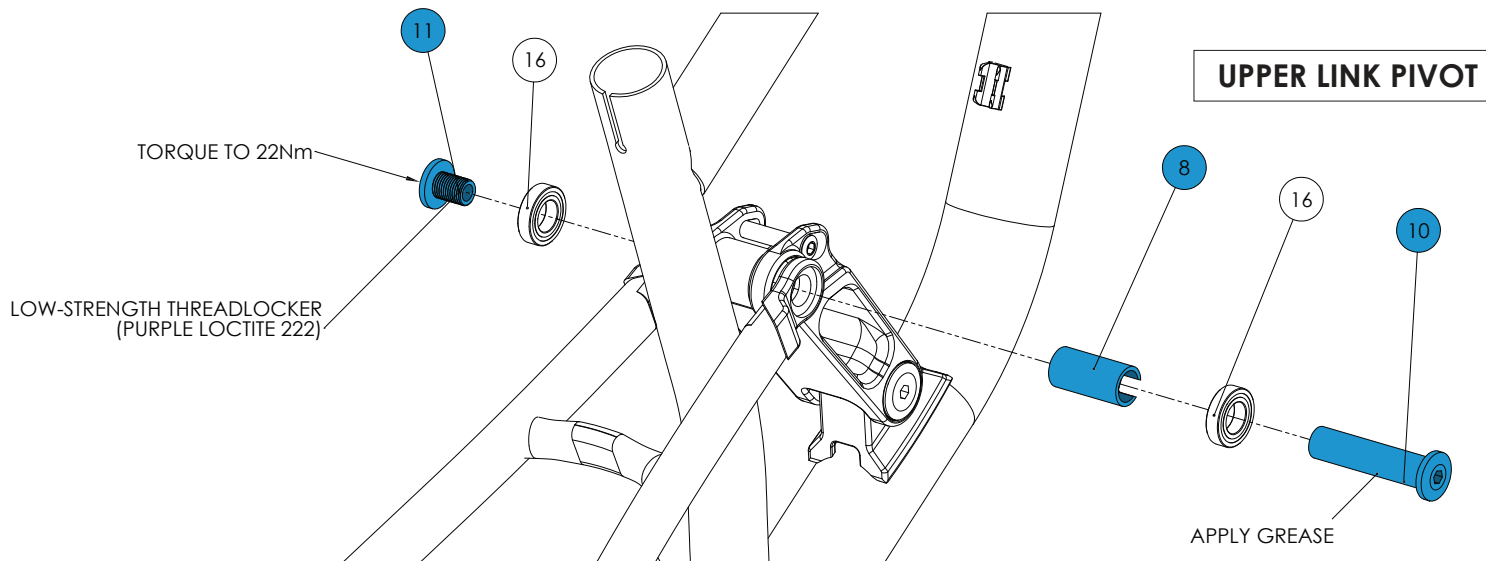
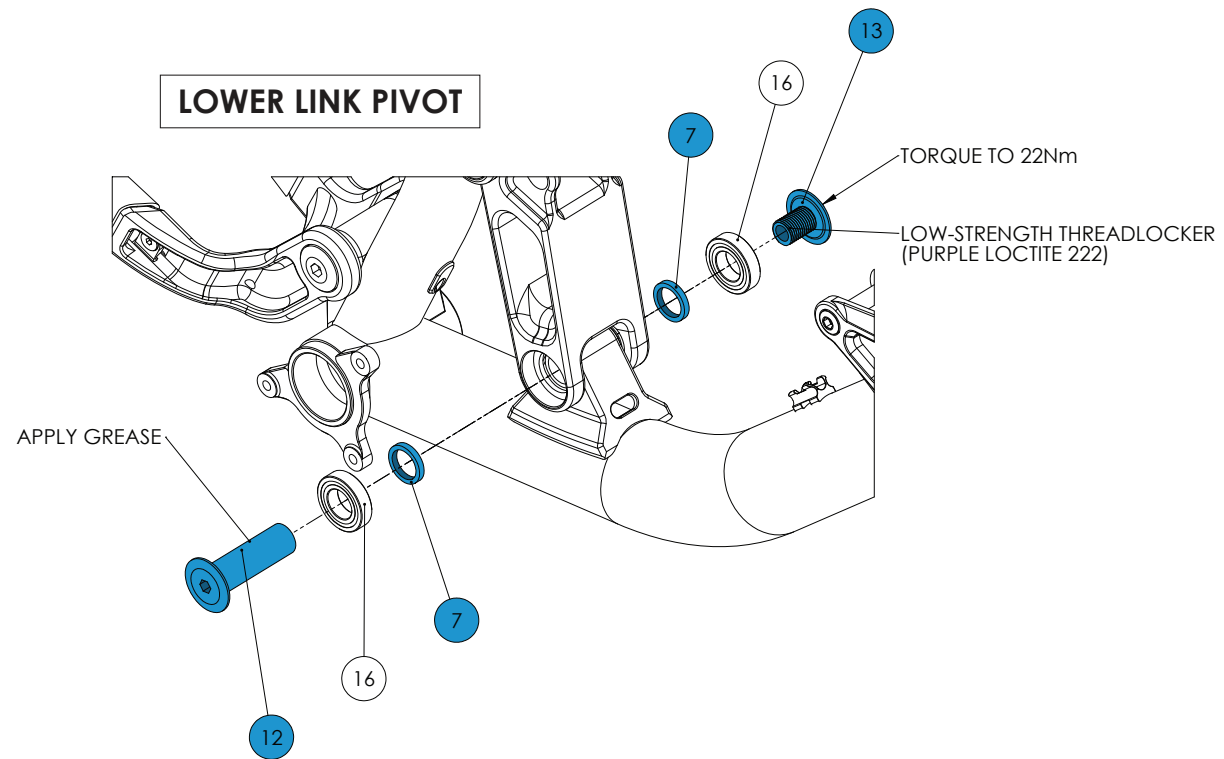


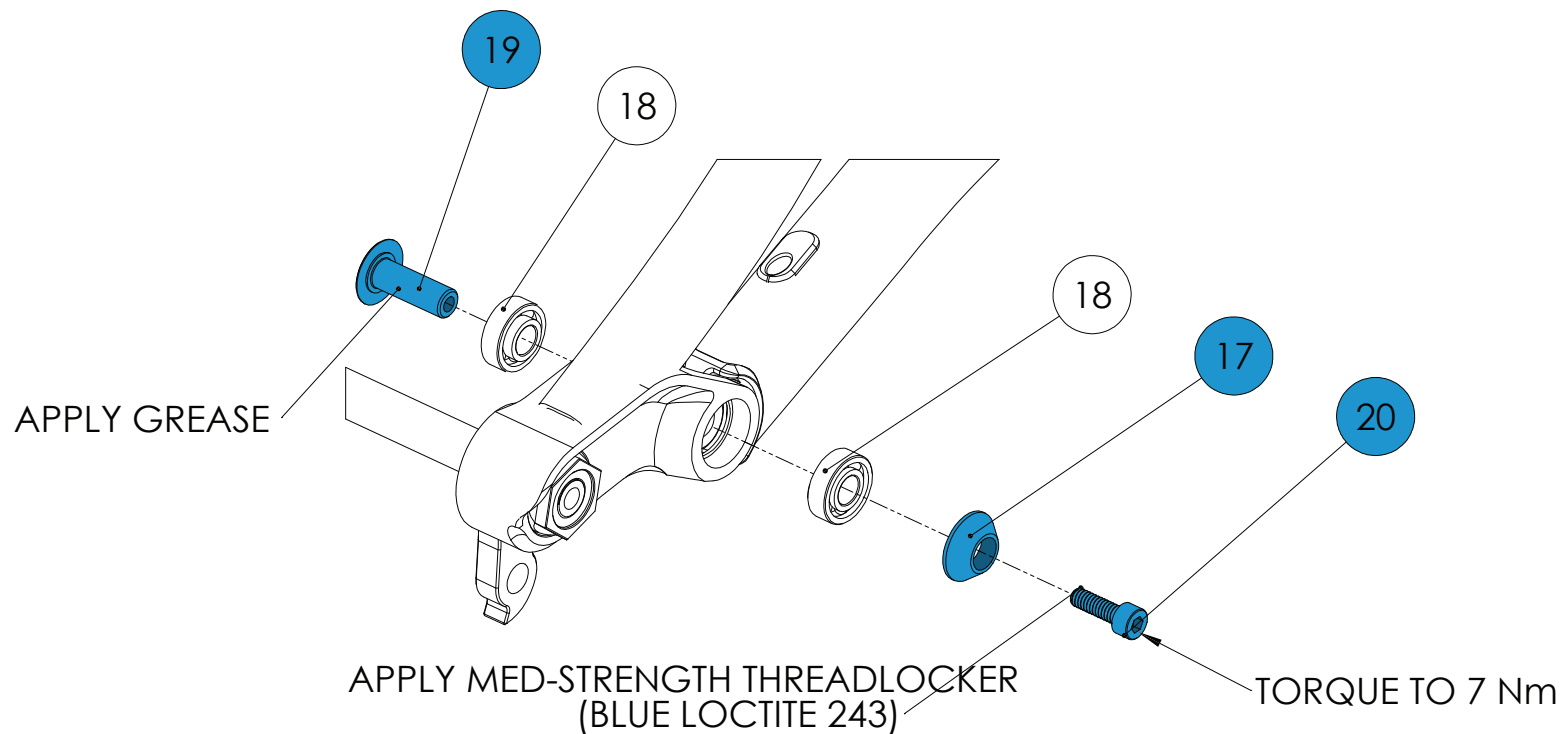
| MINOR THREAT BEARING KIT |  |      |
|--------------------------|--|------|
| ITEM NO.                 | DESCRIPTION  | QTY. |
| 9                        | BEARING 37802-2RS WITH EXTENDED INNER RACE 12.7X24X7/8.5 | 1    |
| 15                       | BEARING 6902-2RS WITH EXTENDED INNER RACE 15X28X7/10     | 1    |
| 16                       | BEARING 6902-2RS 15X28X7                                 | 4    |
| 18                       | BEARING 698-2RS WITH EXTENDED INNER RACE 8X19X6/7.5      | 4    |





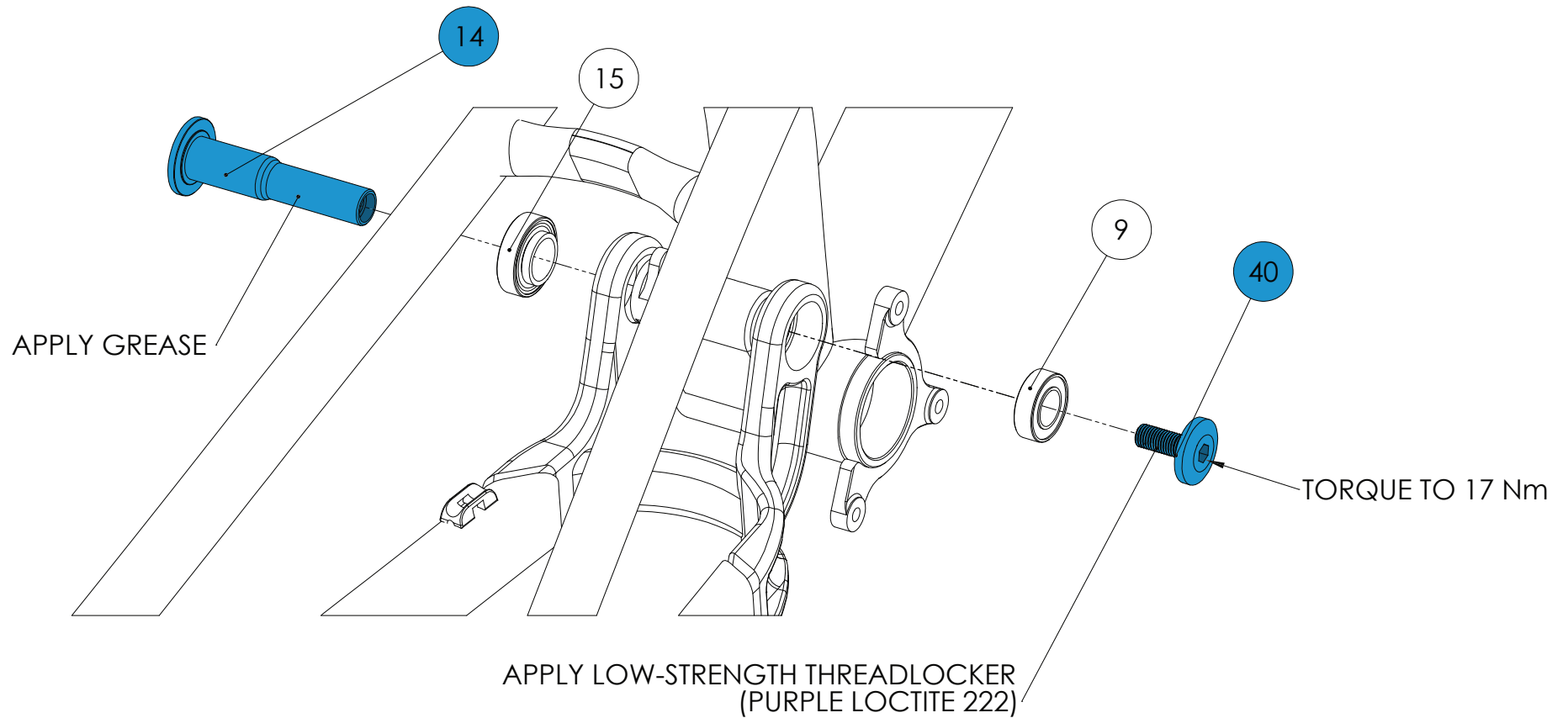
| MINOR THREAT LINK HARDWARE KIT |  |      |
|--------------------------------|--|------|
| ITEM NO.                       | DESCRIPTION                                | QTY. |
| 7                              | LINK PIVOT BEARING SPACER 15.1X19.5X3T     | 2    |
| 8                              | SEATSTAY PIVOT SLEEVE 15.1X19X38.5L        | 1    |
| 10                             | SEATSTAY PIVOT AXLE M12X1.75(INT)X15X68.5L | 1    |
| 11                             | SEATSTAY PIVOT SCREW M12X1.75X20L          | 1    |
| 12                             | LINK PIVOT AXLE M12X1.75(INT)X15X53L       | 1    |
| 13                             | LINK PIVOT SCREW M12X1.75X20L              | 1    |





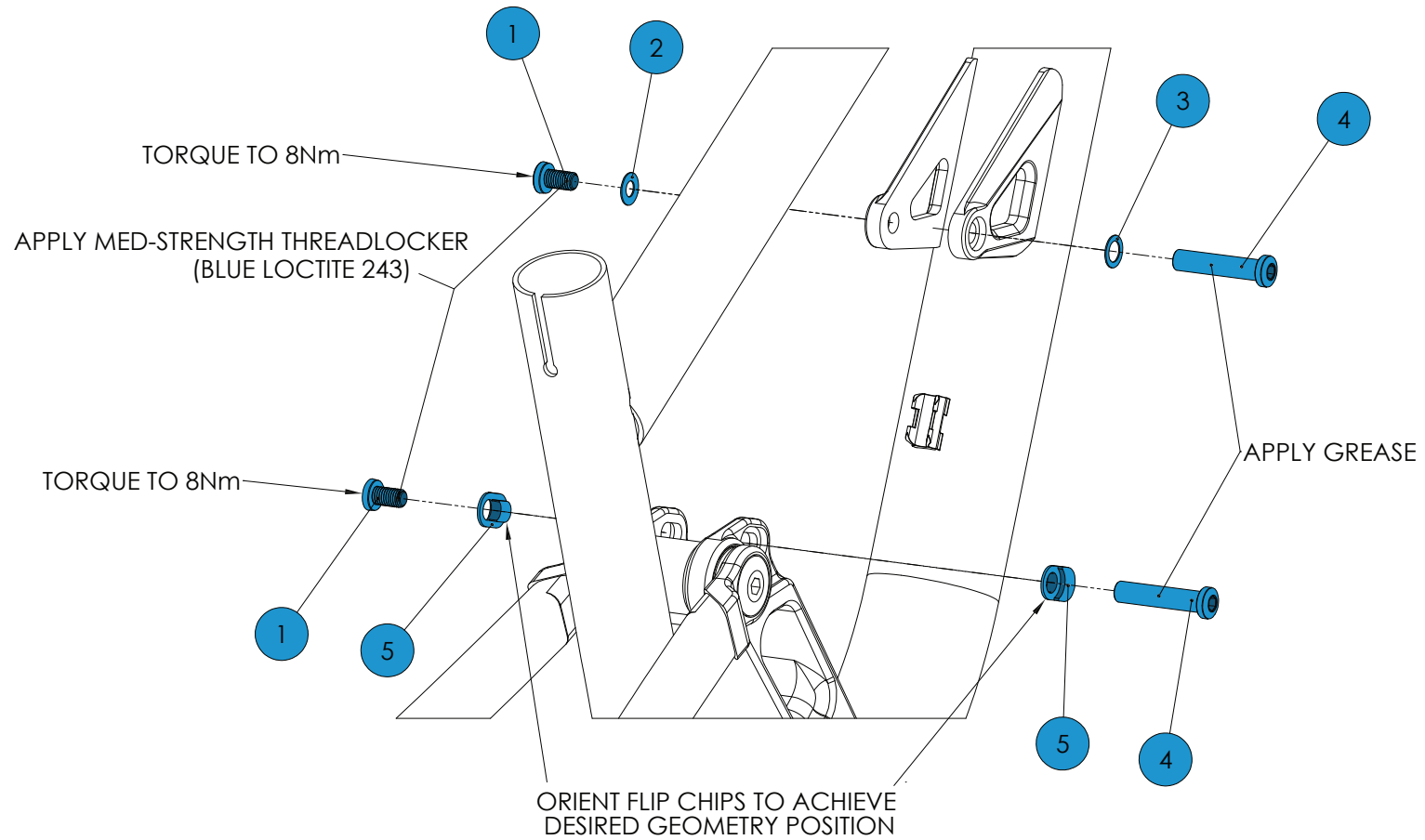
NOTE: EXTENDED INNER RACES OF BEARINGS SHOULD BE ORIENTED TO FACE EACH OTHER (TOWARDS THE INSIDE OF THE PIVOT)

| MINOR THREAT HORST PIVOT HARDWARE KIT |   |      |
|---------------------------------------|---|------|
| ITEM NO.                              | DESCRIPTION                               | QTY. |
| 17                                    | HORST PIVOT CONICAL WASHER 19X6.5L        | 2    |
| 19                                    | HORST PIVOT INNER SCREW M5X0.8(INT)X8X23L | 2    |
| 20                                    | HORST PIVOT OUTER SCREW M5X0.8X16L        | 2    |



| MINOR THREAT MAIN PIVOT HARDWARE KIT |  |      |
|--------------------------------------|--|------|
| ITEM NO.                             | DESCRIPTION                              | QTY. |
| 14                                   | MAIN PIVOT AXLE M8X1.25(INT)X15-12.7X72L | 1    |
| 40                                   | MAIN PIVOT SCREW M8X1.25X25L             | 1    |





| MINOR THREAT SHOCK MOUNT KIT |  |      |
|------------------------------|--|------|
| ITEM NO.                     | DESCRIPTION                            | QTY. |
| 1                            | SHOCK MOUNT SCREW M6X1.0X12L           | 2    |
| 2                            | SHOCK MOUNT SCREW WASHER 6.5/12.5X0.5T | 1    |
| 3                            | SHOCK MOUNT AXLE WASHER 8.5/12.5X0.5T  | 1    |
| 4                            | SHOCK MOUNT AXLE M6X1.0(INT)X8X42.75L  | 2    |
| 5                            | FLIP CHIP                              | 2    |



info@chromagbikes.com



chromagbikes.com



+1 604 905 6667



@chromagbikes



#4 1220 Alpha Lake Rd,  
Whistler BC Canada, V8E 0H7

