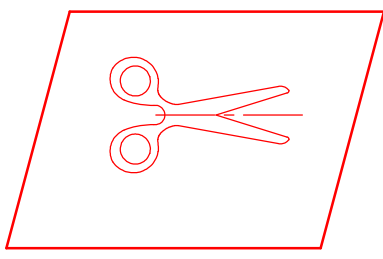
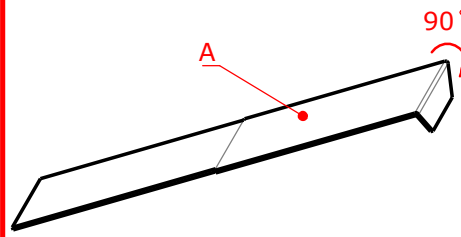


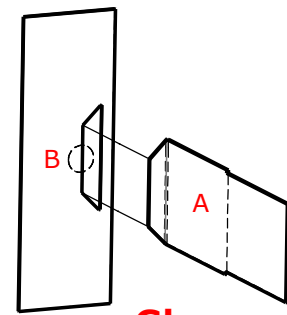
# PLEASE USE THIS TEMPLATE TO DETERMINE COMPATIBILITY WITH YOUR COPIER/PRINTER



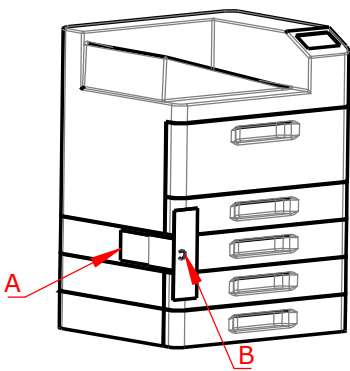
**1** Cut out A and B.



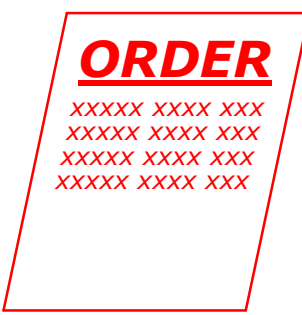
**2** Fold part A.



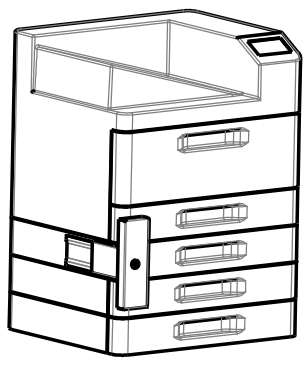
**3** Glue or staple part A to part B.



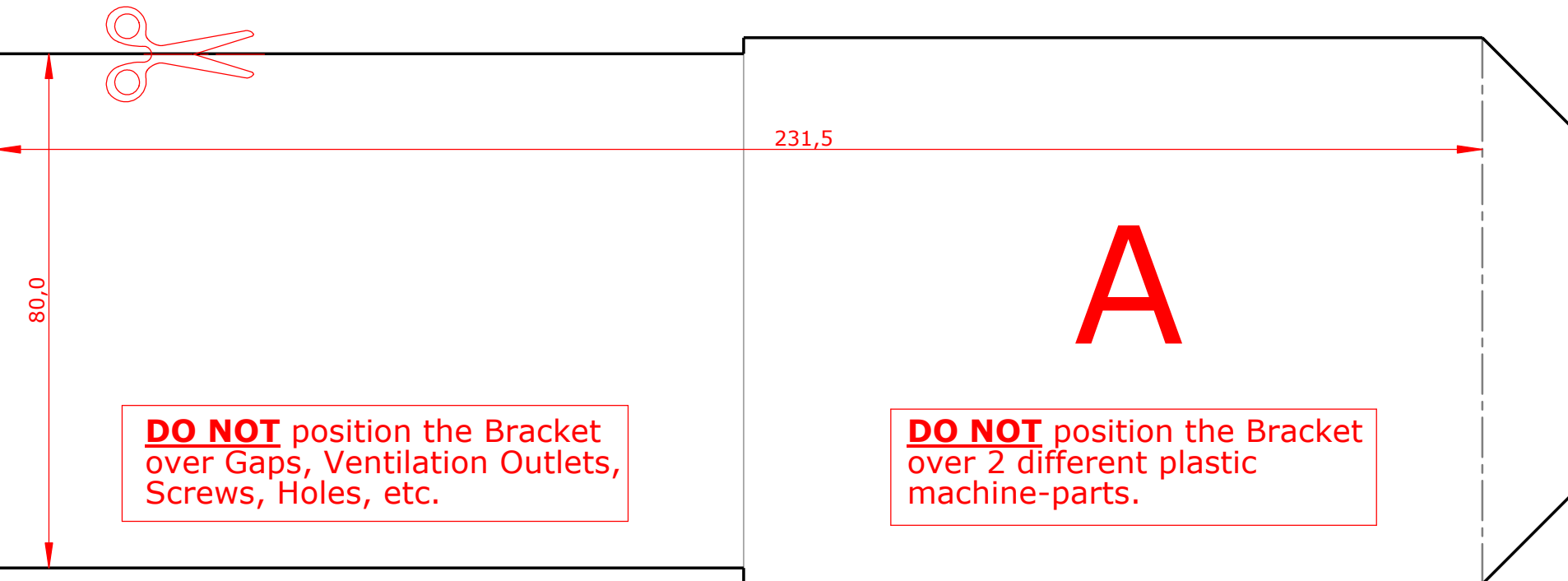
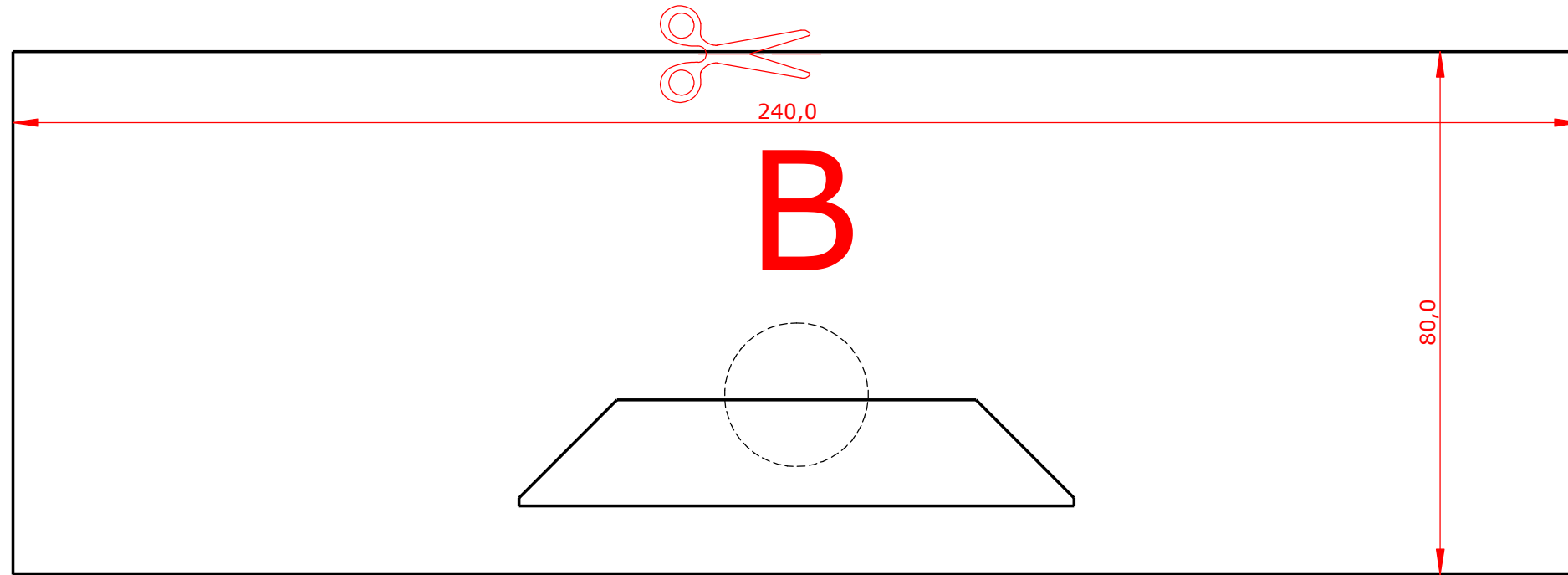
**4** Fit & Test template on your machine.



**5** Order the actual PaperLock.




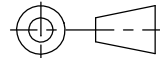
**6** Mount the actual PaperLock.



**DO NOT** position the Bracket over Gaps, Ventilation Outlets, Screws, Holes, etc.

**DO NOT** position the Bracket over 2 different plastic machine-parts.

**Print on papersize A3 and after printing check dimensions.**

	SCHAAL: 1:1	ONTWERPER: _	OPMERKINGEN: -
	MAATEENHEID: mm	GETEKEND: _	
	AM. PROJECTIE	GEWIJZIGD: _	DATUM: _
	INDIEN NIET ANDERS AANGEGEVEN TOLERANTIE ±0,2mm		