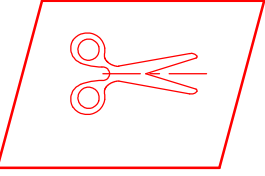
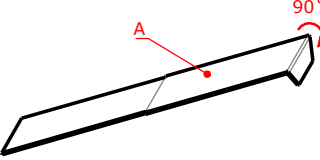


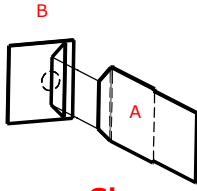
PLEASE USE THIS TEMPLATE TO DETERMINE COMPATIBILITY WITH YOUR COPIER/PRINTER



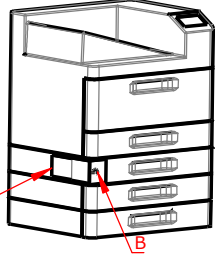
1 Cut out A and B.




2 Fold part A.



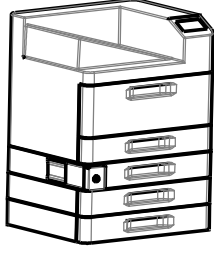
3 Glue or staple part A to part B.



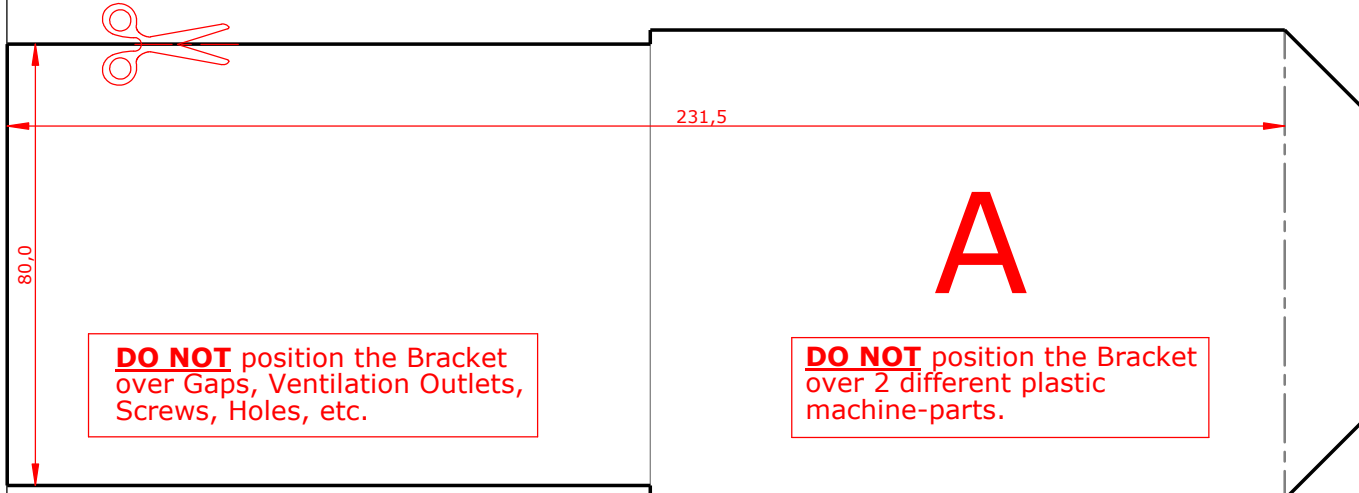
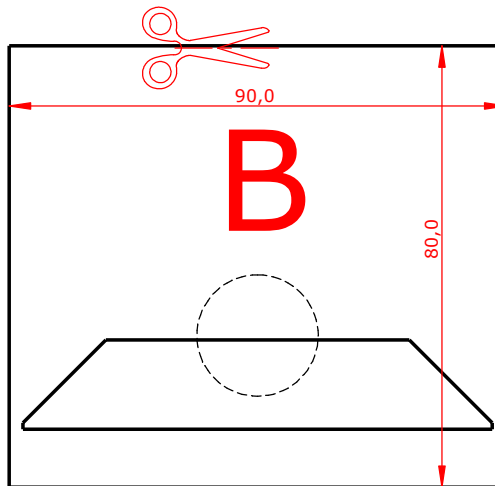
4 Fit & Test template on your machine.



5 Order the actual PaperLock.




6 Mount the actual PaperLock.



DO NOT position the Bracket over Gaps, Ventilation Outlets, Screws, Holes, etc.

DO NOT position the Bracket over 2 different plastic machine-parts.

Print on papersize A3 and after printing check dimensions.

	SCHAAL: 1:1	ONTWERPER: CPK	OPMERKINGEN: -	
	MAATEENHEID: mm	GETEKEND: _		DATUM: 15-12-2014
	AM. PROJECTIE	GEWIJZIGD: _		DATUM: _
INDIEN NIET ANDERS AANGEGEVEN TOLERANTIE ±0,2mm				