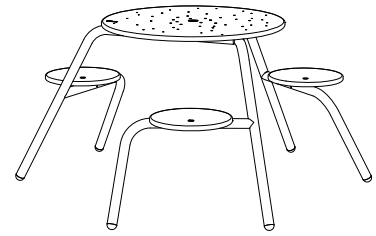


# Virus

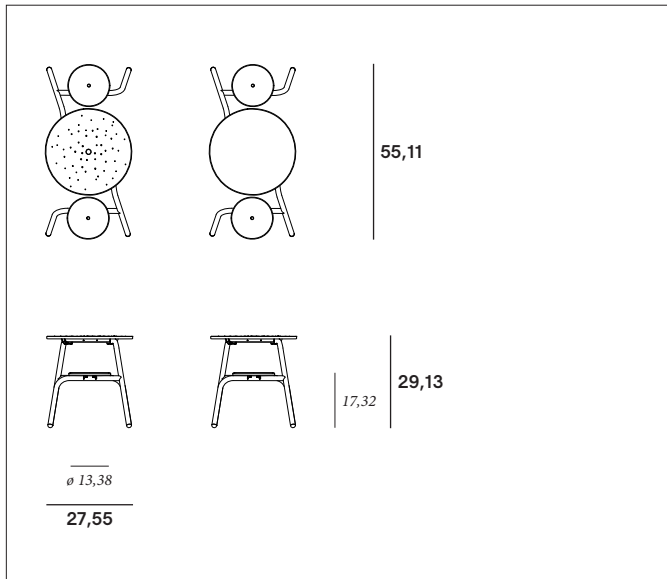
© design by Dirk Wynants

2-seater  
3-seater  
4-seater  
5-seater

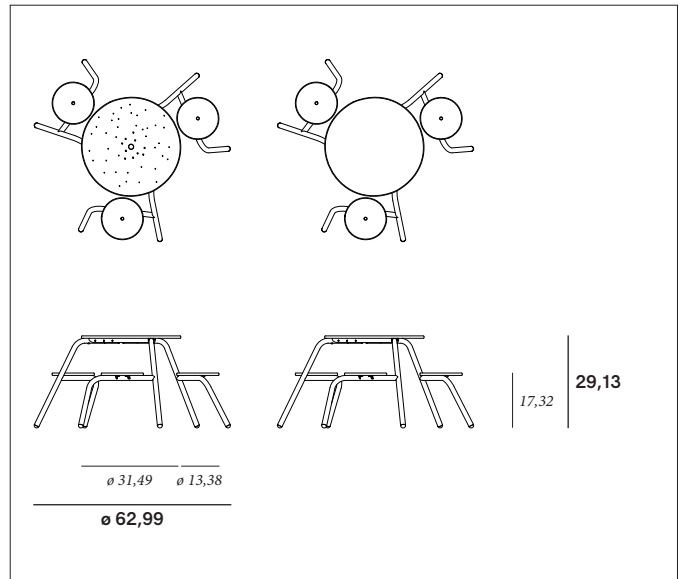
Indoor & outdoor  
Backrest  
Floor fastening



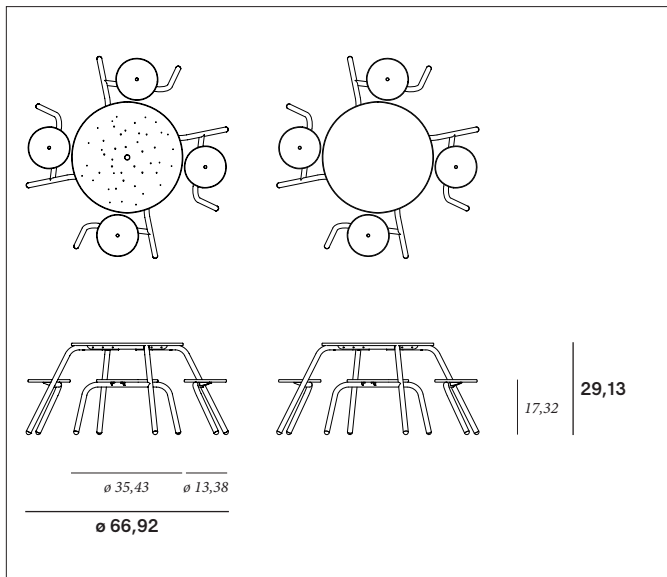
2-seater



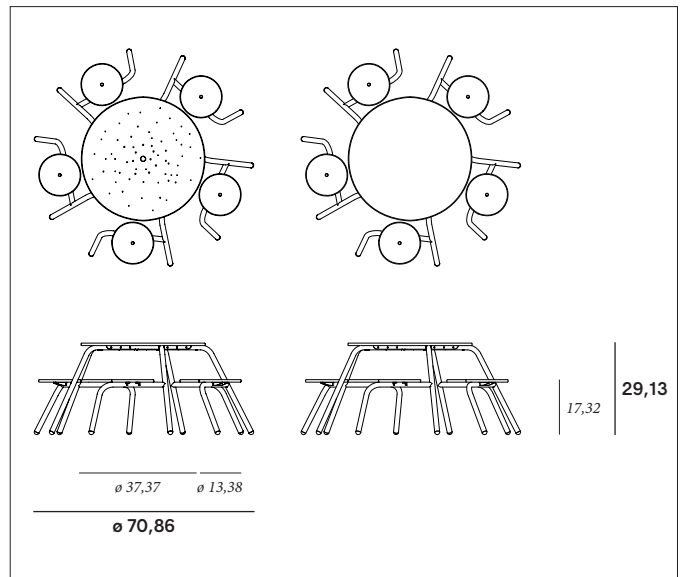
3-seater



4-seater



5-seater



**extremis®**

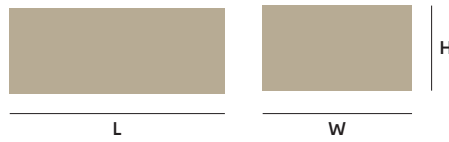
The content of this document, in particular the mentioned models, is protected by copyrights and/or design rights. The present document and its content is communicated to you for information purposes only. Any partial or total reproduction or any other use without our prior written permission is strictly prohibited. This technical sheet remains subject to possible changes. All dimensions are in inch, unless mentioned otherwise. Extremis is not responsible for the errors in the documentation of products. All measurements are approximate and are provided for informational purposes only.

**Tech sheet**  
20170825

BOX 1: TABLETOP



BOX 2: LEGS + SEATS

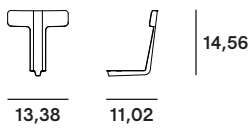


Max volume: **up to 10 legs with seats per box 2:**  
18,71 m<sup>3</sup> | Gross weight: 135,80 kg | Net weight: 124,12 kg

FOR EXAMPLE  
for 5 x Virus 2-seater, or  
for 2 x Virus 5-seater, or  
for 2 x Virus 2-seater + 2 x Virus 3-seater

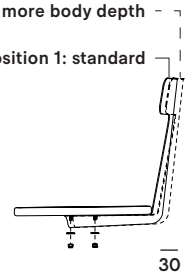
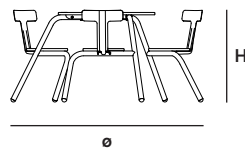
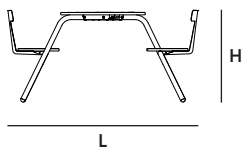
Box dimensions (mm)		L	W	H	Qty (#)	Volume (m <sup>3</sup> )	Gross weight (kg)	Net weight (kg)	Packaging weight (kg)
Virus 2-seater indoor / outdoor	Box 1	29,52	29,52	2,75	1	1,05	24,42	22,00	2,42
	Box 2	44,80	31,10	11,81	1	9,53	36,50	24,82	11,68
					<b>total:</b>	<b>10,58</b>	<b>60,92</b>	<b>46,82</b>	<b>14,10</b>
Virus 3-seater indoor / outdoor	Box 1	33,64	33,64	2,36	1	1,41	31,76	36,16	4,40
	Box 2	44,80	31,10	14,76	1	12,00	48,92	37,24	11,68
					<b>total:</b>	<b>13,41</b>	<b>80,68</b>	<b>64,60</b>	<b>16,08</b>
Virus 4-seater indoor / outdoor	Box 1	37,40	37,40	2,36	1	1,76	37,54	33,14	4,40
	Box 2	44,80	31,10	14,76	1	12,00	61,33	49,65	11,68
					<b>total:</b>	<b>13,76</b>	<b>98,87</b>	<b>82,79</b>	<b>16,08</b>
Virus 5-seater indoor / outdoor	Box 1	41,33	41,33	2,36	1	2,11	45,08	40,68	4,40
	Box 2	44,80	31,10	17,71	1	14,12	73,74	62,06	11,68
					<b>total:</b>	<b>16,23</b>	<b>118,82</b>	<b>102,74</b>	<b>16,08</b>

Backrest



assembly position 2: lean back - allows more body depth

assembly position 1: standard



Dimensions (mm)	L position 1	L position 2	H	ø position 1	ø position 2
Backrests on 2-seater	60,78	61,96	29,92	/	/
Backrests on 3-seater	/	/	29,92	64,72	65,90
Backrests on 4-seater	/	/	29,92	68,66	69,84
Backrests on 5-seater	/	/	29,92	72,59	73,77

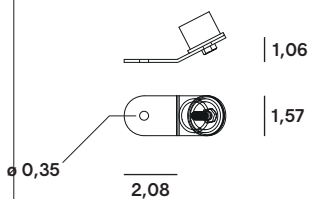
BOX 3: BACKREST



Max volume: **up to 10 backrests per box 3:**  
2,47 m<sup>3</sup> | Gross weight: 28,79 kg | Net weight: 27,11 kg

Box dimensions (mm)		L	W	H	Qty (#)	Volume (m <sup>3</sup> )	Gross weight (kg)	Net weight (kg)	Packaging weight (kg)
Backrest (1 pc)	Box 1	17,71	14,96	9,25	1	1,41	4,38	2,71	1,67

Floor fastening



The optional floor fastening is delivered inside the box with the legs & seats:

- 0,28 kg / pc

## Materials & colours



Materials	Key facts	Thickness	Layer thickness	Density	In/outdoor	Water	UV colour fastness	Flame retarding
		inch	micron					
Powder-coated ZnAlMg steel tabletop & seat	<ul style="list-style-type: none"> <li>A technique of applying dry paint to a part</li> <li>Electrostatically charged and sprayed onto the object</li> <li>Scratch resistant</li> </ul>	0,05	60	0,47 10 <sup>3</sup> kg/m <sup>3</sup>	Outdoor & indoor version	n.a.	Very good: colour can fade to some extent when exposed to UV	NEN-EN 13501-1 A2-s1 **
Powder-coated electro galvanised steel tabletop frame	<ul style="list-style-type: none"> <li>Easy to clean</li> <li>Electro galvanised (for an extra protection against rust), then powder-coated</li> <li>Scratch resistant</li> </ul>	0,15	100	0,47 10 <sup>3</sup> kg/m <sup>3</sup>	Outdoor & indoor version	n.a.	Very good: colour can fade to some extent when exposed to UV	NEN-EN13501-1 A1 *
Powder-coated steel tabletop frame (only for 2-seater)	<ul style="list-style-type: none"> <li>Easy to clean</li> <li>Scratch resistant</li> </ul>	0,07	80	0,50 10 <sup>3</sup> kg/m <sup>3</sup>	Outdoor & indoor version	n.a.	Very good: colour can fade to some extent when exposed to UV	NEN-EN13501-1 A1 *
Powder-coated stainless steel legs	<ul style="list-style-type: none"> <li>Easy to clean</li> <li>Stainless steel (for protection against rust), then powder-coated</li> <li>Scratch resistant</li> </ul>	0,07	80	0,50 10 <sup>3</sup> kg/m <sup>3</sup>	Outdoor version only	n.a.	Very good: colour can fade to some extent when exposed to UV	NEN-EN13501-1 A1 *
Powder-coated steel legs	<ul style="list-style-type: none"> <li>Easy to clean</li> <li>Scratch resistant</li> </ul>	0,15	100	0,47 10 <sup>3</sup> kg/m <sup>3</sup>	Indoor version only	n.a.	Very good: colour can fade to some extent when exposed to UV	NEN-EN13501-1 A1 *
Stainless steel AISI 316 floor fastening	<ul style="list-style-type: none"> <li>High rust resistance</li> <li>Periodical maintenance required</li> </ul>	0,05	n.a.	0,50 10 <sup>3</sup> kg/m <sup>3</sup>	Outdoor & indoor version	n.a.	Very good	NEN-EN13501-1 A1 *

\* NEN-EN13501-1 A1

Class A1 products will not contribute to fire in any stage, including fully developed fire. For this reason, they are assumed to be capable of satisfying all requirements of all lower classes as well.

\*\* NEN-EN13501-1 A2-s1

Satisfying the same criteria as class B for the SBI-test according to EN 13823. In addition, under conditions of a fully developed fire these products will significantly contribute to the fire load a fire growth.

## Applications

**Residential:** Virus is the solution we came up with while designing compact furniture for urban patios, rooftop terraces and balconies. The design responds to the trend for smaller living. The number of seats is variable, so Virus adapts to the number of family members. Perfect for city dwellers!

**Project:** For hospitality or corporate lunch areas, indoor and outdoors. Create a landscape of Viruses with matching colours, in different sizes. There is an ideal Virus table for every gathering.

## Good to know

- Acquiring a Virus table is space saving. Virus requires only the exact space that is needed for a company of 2, 3, 4 or 5 people. The identical seating frame is configured around a tabletop that fits exactly what you need for a simple lunch or breakfast. Nothing more, nothing less.
- There is an indoor and an outdoor version. The outdoor version has a hole pattern in the tabletop.
- The hole in the tabletop to place a parasol in is  $\varnothing 38$  mm.
- Water draining seat & tabletop (tabletop only for outdoor version).
- Virus combines perfectly with Inumbrina  $\varnothing 25$ ,  $\varnothing 32$  (only with parasol foot).



## Fun fact

The holes in the tabletop, for the outdoor versions, are a pattern of stars in the galaxy M101 (Pinwheel Galaxy).

## Floor fastening

Our Virus picnic tables can be fixed to the floor, to prevent them from being moved, or worse, from being stolen. However, attaching it to the floor is not always enough, as bolts can always be unscrewed. We offer a connection piece that replaces the end cap at the bottom of a table leg. We strongly advise to use one piece per seat in order to attach the table firmly. A two-seater needs two anchoring holes, a three-seater needs three anchoring holes, and so on.



## Maintenance

*Find maintenance instructions at the downloads section of [extremis.com](http://extremis.com) for:*

### POWDER-COATED PARTS

- White powder-coating requires more maintenance obviously
- Cleaning stains with a magic eraser

## Website

[www.extremis.com/virus](http://www.extremis.com/virus)