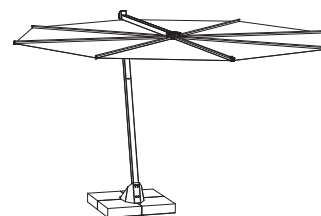


# Kosmos parasol

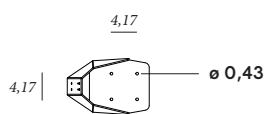
© design by Dirk Wynants



Round parasol  
Square  
Floor fastening  
Concrete (wheel) base

## Round parasol

	<table border="1"> <thead> <tr> <th>Dimensions (inch)</th> <th>ø</th> <th>L</th> <th>H</th> <th><math>h_1</math></th> </tr> </thead> <tbody> <tr> <td>Round parasol with Kosmos</td> <td>128,58</td> <td>133,34</td> <td>78,93</td> <td>75</td> </tr> <tr> <td>Round parasol high with Kosmos</td> <td>128,58</td> <td>133,34</td> <td>84,80</td> <td>80,86</td> </tr> </tbody> </table>	Dimensions (inch)	ø	L	H	$h_1$	Round parasol with Kosmos	128,58	133,34	78,93	75	Round parasol high with Kosmos	128,58	133,34	84,80	80,86						
Dimensions (inch)	ø	L	H	$h_1$																		
Round parasol with Kosmos	128,58	133,34	78,93	75																		
Round parasol high with Kosmos	128,58	133,34	84,80	80,86																		
	<table border="1"> <thead> <tr> <th>Dimensions (inch)</th> <th>ø</th> <th>L</th> <th>H</th> <th><math>l_1</math></th> <th><math>h_1</math></th> </tr> </thead> <tbody> <tr> <td>Round parasol with floor fastening</td> <td>128,58</td> <td>133,34</td> <td>78,93</td> <td>13,34</td> <td>75</td> </tr> <tr> <td>Round parasol high with floor fastening</td> <td>128,58</td> <td>133,34</td> <td>84,80</td> <td>13,34</td> <td>80,86</td> </tr> </tbody> </table>	Dimensions (inch)	ø	L	H	$l_1$	$h_1$	Round parasol with floor fastening	128,58	133,34	78,93	13,34	75	Round parasol high with floor fastening	128,58	133,34	84,80	13,34	80,86			
Dimensions (inch)	ø	L	H	$l_1$	$h_1$																	
Round parasol with floor fastening	128,58	133,34	78,93	13,34	75																	
Round parasol high with floor fastening	128,58	133,34	84,80	13,34	80,86																	
	<table border="1"> <thead> <tr> <th>Dimensions (inch)</th> <th>ø</th> <th>L</th> <th>H</th> <th><math>h_1</math></th> <th><math>h_2</math></th> <th><math>l_1</math></th> </tr> </thead> <tbody> <tr> <td>Round parasol on concrete base</td> <td>128,58</td> <td>133,34</td> <td>84,13</td> <td>80</td> <td>4,40</td> <td>29,92</td> </tr> <tr> <td>Round parasol high on concrete base</td> <td>128,58</td> <td>133,34</td> <td>89,96</td> <td>85,82</td> <td>4,40</td> <td>29,92</td> </tr> </tbody> </table>	Dimensions (inch)	ø	L	H	$h_1$	$h_2$	$l_1$	Round parasol on concrete base	128,58	133,34	84,13	80	4,40	29,92	Round parasol high on concrete base	128,58	133,34	89,96	85,82	4,40	29,92
Dimensions (inch)	ø	L	H	$h_1$	$h_2$	$l_1$																
Round parasol on concrete base	128,58	133,34	84,13	80	4,40	29,92																
Round parasol high on concrete base	128,58	133,34	89,96	85,82	4,40	29,92																
	<table border="1"> <thead> <tr> <th>Dimensions (inch)</th> <th>ø</th> <th>L</th> <th>H</th> <th><math>h_1</math></th> <th><math>h_2</math></th> <th><math>l_1</math></th> </tr> </thead> <tbody> <tr> <td>Round parasol on concrete wheel base</td> <td>128,58</td> <td>133,34</td> <td>87,20</td> <td>83,07</td> <td>7,48</td> <td>32,48</td> </tr> <tr> <td>Round parasol high on concrete wheel base</td> <td>128,58</td> <td>133,34</td> <td>93,03</td> <td>88,89</td> <td>7,48</td> <td>32,48</td> </tr> </tbody> </table>	Dimensions (inch)	ø	L	H	$h_1$	$h_2$	$l_1$	Round parasol on concrete wheel base	128,58	133,34	87,20	83,07	7,48	32,48	Round parasol high on concrete wheel base	128,58	133,34	93,03	88,89	7,48	32,48
Dimensions (inch)	ø	L	H	$h_1$	$h_2$	$l_1$																
Round parasol on concrete wheel base	128,58	133,34	87,20	83,07	7,48	32,48																
Round parasol high on concrete wheel base	128,58	133,34	93,03	88,89	7,48	32,48																

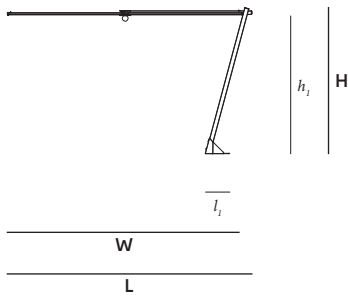


**extremis®**

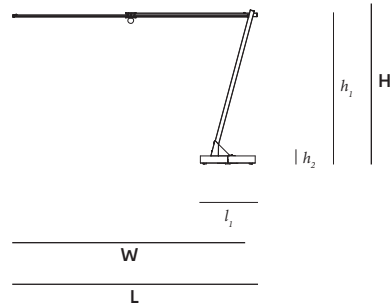
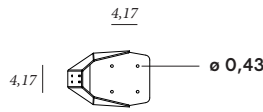
The content of this document, in particular the mentioned models, is protected by copyrights and/or design rights. The present document and its content is communicated to you for information purposes only. Any partial or total reproduction or any other use without our prior written permission is strictly prohibited. This technical sheet remains subject to possible changes. All dimensions are in inch, unless mentioned otherwise. Extremis is not responsible for the errors in the documentation of products. All measurements are approximate and are provided for informational purposes only.

**Tech  
sheet**  
20171006

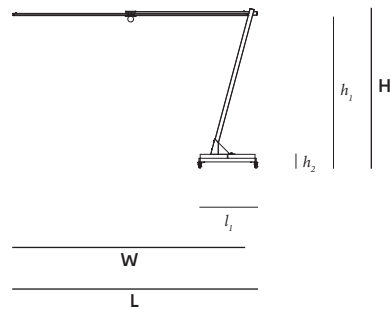
Square parasol



Dimensions (inch)	L	W	H	$l_1$	$h_1$
Square parasol with floor fastening	133,34	128,58	78,93	13,34	75
Square parasol high with floor fastening	133,34	128,58	84,80	13,34	80,86



Dimensions (inch)	L	W	H	$l_1$	$h_1$	$h_2$
Square parasol on concrete base	133,34	128,58	84,13	29,92	80	4,40
Square parasol high on concrete base	133,34	128,58	89,96	29,29	85,82	4,40



Dimensions (inch)	L	W	H	$l_1$	$h_1$	$h_2$
Square parasol on concrete wheel base	133,34	128,58	87,20	32,48	83,07	7,48
Square parasol high on concrete wheel base	133,34	128,58	93,03	32,48	88,89	7,48

BOX 1: KOSMOS PARASOL



BOX 2: CONCRETE BLOCK



BOX 3: GALVANISED FRAME

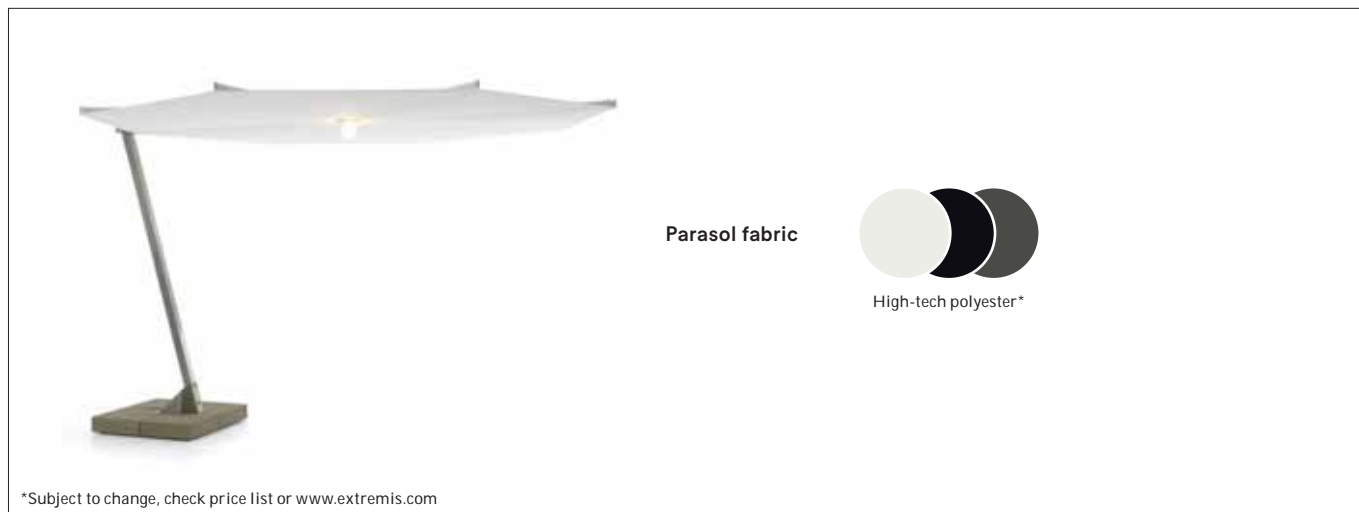


Box dimensions (inch)		L	W	H	Qty (#)	Volume (ft <sup>3</sup> )	Gross weight (lb)	Net weight (lb)	Packaging weight (lb)
Round parasol	Box 1	88,58	9,84	9,84	1	4,94	60,86	53,63	7,23
Round parasol high	Box 1	88,58	9,84	9,84	1	4,94	67,48	60,25	7,23
Square parasol	Box 1	105,31	10,23	11,41	1	7,06	65,80	58,57	7,23
Square parasol high	Box 1	105,31	10,23	11,41	1	7,06	72,42	65,19	7,23
Concrete base	Box 2	14,96	14,96	3,93	4	2,11	261,90	258,38	3,52
Concrete wheel base	Box 2	14,96	14,96	3,93	4	2,11	261,90	258,38	3,52
	Box 3	31,49	31,49	1,96	1	1,05	16,97	16,09	0,88
	<b>total:</b>				<b>3,15</b>	<b>3,15</b>	<b>278,87</b>	<b>274,47</b>	<b>4,40</b>

The parts mentioned below are delivered inside the parasol box 1:

- Floor fastening: KC 11,46 lb

## Materials & colours



Materials	Key facts	Thickness	Layer thickness	Density	In/outdoor	Water	UV colour fastness	Flame retarding
		inch	micron					
High-tech polyester parasol fabric	<ul style="list-style-type: none"> <li>• High UV resistance and ultra strong</li> <li>• Low weight / high tear strength</li> <li>• Long-term appearance</li> </ul>	0,01	n.a.	8,81 oz/ft <sup>2</sup>	Outdoor & indoor	The fabric has a water column of 350mm (EN 20811)	7/8 (ISO 105-B02)	/
Stainless steel pole & connection piece	<ul style="list-style-type: none"> <li>• High rust resistance</li> <li>• Periodical maintenance required</li> </ul>	0,07 - 0,63	n.a.	0,50 10 <sup>9</sup> lb/ft <sup>3</sup>	Outdoor & indoor	n.a.	Very good	NEN-EN 13501-1 A1 *
Concrete base	<ul style="list-style-type: none"> <li>• Made under high pressure</li> <li>• Matt and porous concrete</li> </ul>	3,93	n.a.	0,13 10 <sup>9</sup> lb/ft <sup>3</sup>	Outdoor & indoor	n.a.	Very good	NEN-EN 13501-1 A1 *
Hot dip galvanised frame for concrete base	<ul style="list-style-type: none"> <li>• Most durable method for protecting metal from rusting</li> <li>• Protective layer</li> <li>• Very long life span</li> <li>• 100% recyclable</li> <li>• Cradle to Cradle Certified™</li> </ul>	0,07 - 0,39	50 - 100	0,47 10 <sup>9</sup> lb/ft <sup>3</sup>	Outdoor & indoor	n.a.	Very good: galvanisation will however become less shiny when used outdoors	NEN-EN 13501-1 A1 *
LED light with dimmer	<ul style="list-style-type: none"> <li>• Colour temperature of 3000K (warm white)</li> <li>• 350mA</li> <li>• 7W</li> <li>• 110 - 220 V; 50 - 60 Hz.</li> </ul>	n.a.	n.a.	n.a.	Outdoor & indoor	IP65	/	/
Cover	<ul style="list-style-type: none"> <li>• Polyester</li> </ul>	0,01	n.a.	14,10 oz/ft <sup>2</sup>	Outdoor & indoor	100% waterproof	6-8/8 (ISO 105-B02)	BS 7837

\* NEN-EN13501-1 A1

Class A1 products will not contribute to fire in any stage, including fully developed fire. For this reason, they are assumed to be capable of satisfying all requirements of all lower classes as well.

STORE THE PARASOL WHEN NOT IN USE FOR A LONG TIME AS FOLLOWS: VERTICALLY, COMPLETELY DRY AND IN A DRY ENVIRONMENT.

DO NOT LEAVE CLOSED IF NOT COMPLETELY DRY. DO NOT LEAVE THE PARASOL CLOSED FOR A LONG TIME WHEN THE PARASOL FABRIC IS STILL DAMP OR WET.

IN CASE OF STRONG WINDS, CLOSE THE PARASOL AND USE THE SLIP-OVER COVER TO PREVENT THE PARASOL FROM OPENING OR GETTING DIRTY.

IF YOU ARE NOT PLANNING ON USING THE PARASOL FOR QUITE A WHILE, STORE IT AS FOLLOWS: COMPLETELY DRY IN DRY CONDITIONS.

DO NOT LEAVE THE PARASOL UNATTENDED WHEN OPENED.



## Applications

**Residential:** on your terrace, patio or courtyard.

**Project:** hotel and catering industry, terraces, event venues, schools, wellness, spa's, ...

## Instructions

You can open and close the parasol like a fan. The parasol stays open by means of magnetes.



## Important

We strongly advise to acquire the cover. When applied correctly, the parasol can be left outdoors.

ATTENTION

We advise to close the parasol and apply the cover from 4 Beaufort on.

## Maintenance

Find maintenance instructions at the downloads section of [extremis.com](http://extremis.com) for:

PARASOL FABRIC

- Shake or brush off loose dirt immediately.
- Spray Extremis Multi Cleaner
- Use a soft brush and make circular movements.
- Let the suds soak in for a moment.
- Rinse thoroughly to remove all soap residue.
- Simply allow to dry. Do not use detergents, as they will remove the fabric's protective coating.

## Floor fastening

For anchoring directly to the floor, place the stainless steel part on the floor and mark the spots to drill the holes.



## Good to know

- Tests in a wind tunnel have shown that the parasol resists up to 6 Beaufort. Attention, we advise to close the parasol from 4 Beaufort on.
- The leather strap can also be used to keep the parasol open:
  - in case of rain: creates water draining
  - after a long time not being in use, it's possible that the magnets don't keep closed well.
- Concrete (wheel) base is only possible in combination with the floor fastening KPC (not included with IUB or IUB-4WI).

## F.a.q.

*Q: Is the parasol wind resistant?*

A: The parasol withstands wind speeds up to 6 on the Beaufort scale. Put the parasol with its opening pointed at the wind direction. If there's too much wind, the parasol will close automatically. We advise to close the parasol and apply the cover from 4 Beaufort on.

*Q: How long is the connection cable of the LED-light?*

A: The connection cable has a length of 314,96 inch.

## Website

[www.extremis.com/kosmosparasol](http://www.extremis.com/kosmosparasol)