

## OPERA design\_gianluigi landoni

### 430



#### IT\_Descrizione prodotto

Divani, poltroncina bassa, poltroncina alta

#### Caratteristiche tecniche divani

Struttura base: Legno multistrato.

Struttura schienale/braccioli: Legno multistrato e massello di abete.

Cuscini seduta: Poliuretano espanso a quote differenziate, ricoperto in termolegato cotone 100%.

Cuscini schienale: Fibra di poliestere siliconata ricoperta da fodera in cotone 100%.

Imbottitura base e schienale:

Poliuretano espanso a quote differenziate ricoperto in termofalda.

Finitura base: Profilo in pelle a scelta.

Piedi: Cornice e piedi in noce Canaletto.

Rivestimento: Rivestimento in pelle o in tessuto. Rivestimento in tessuto completamente sfoderabile.

#### EN\_Description of the product

Sofas, low back armchair, high back armchair

#### Sofas technical features

Frame base: Multi-layer wood.

Frame backrest/arms: Multi-layer wood and solid fir-wood.

Seat cushions: Polyurethane foam with different densities covered with heated bonded polyester fibre.

Back cushions: Silicone polyester fibre covered with 100% cotton lining.

Base and backrest padding:

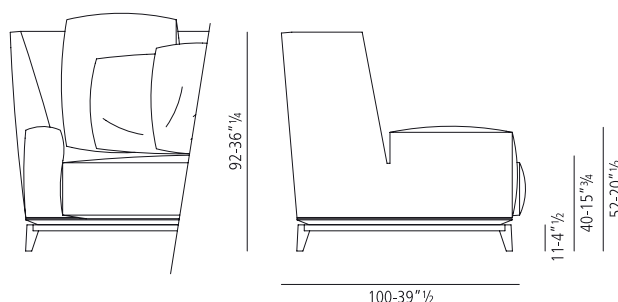
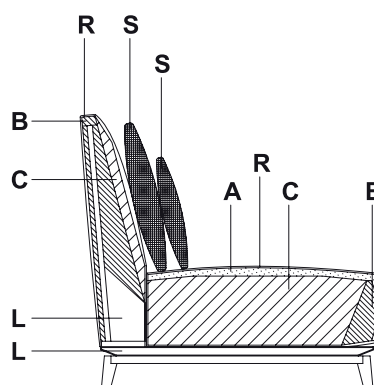
Polyurethane foam with different densities covered with heated bonded polyester fibre.

Base finishing: Leather profile according to choice.

Feet: Canaletto walnut wooden base and feet.

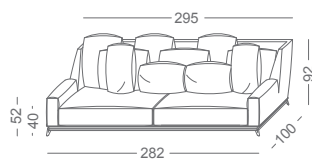
Cover: Fabric or leather cover. Fabric cover completely removable.

- A - Memory foam / Memory foam
- B - Espanso densità portante / Foam supporting density
- C - Espanso densità soft / Foam soft density
- L - Fusto in legno / Wooden frame
- R - Resinato / Heated bonded polyester fibre
- S - Fibra poliestere siliconata / Silicon polyester fibre



430

\_divano 295  
\_sofa 295



\_divano 235  
\_sofa 235

