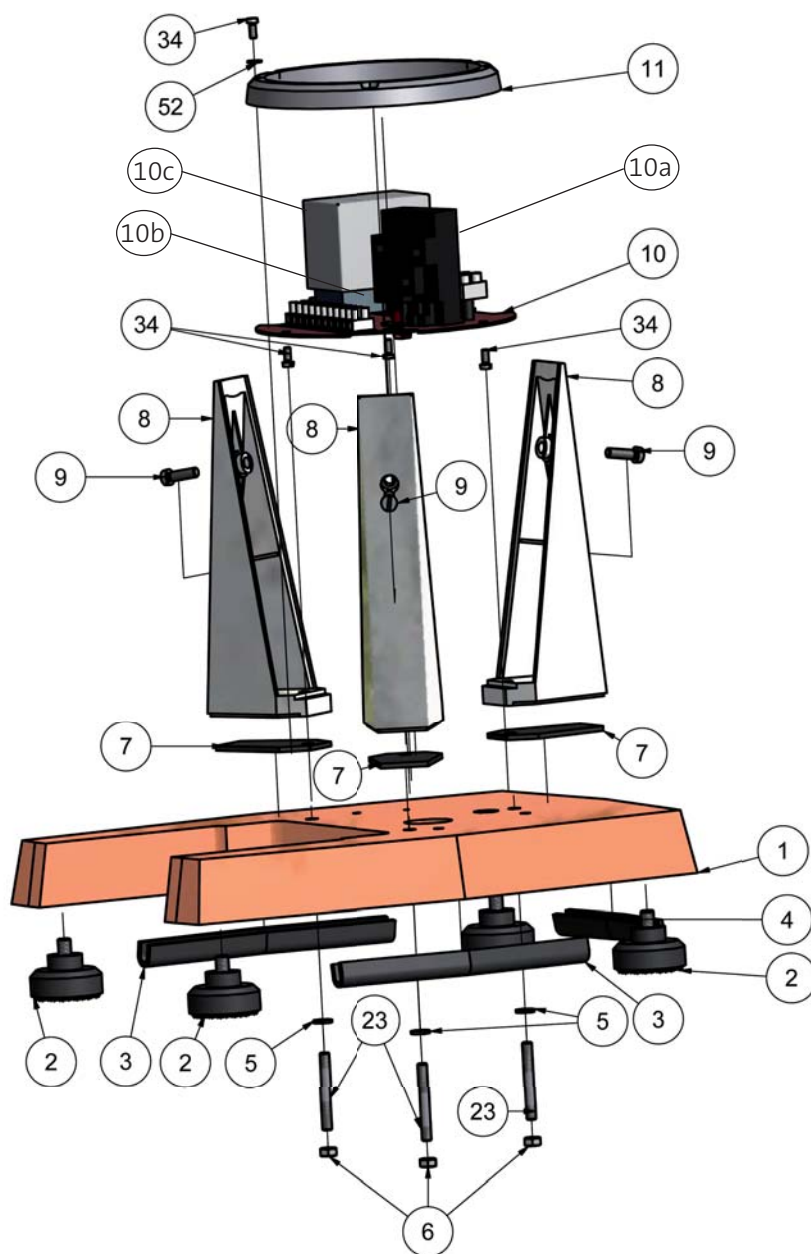


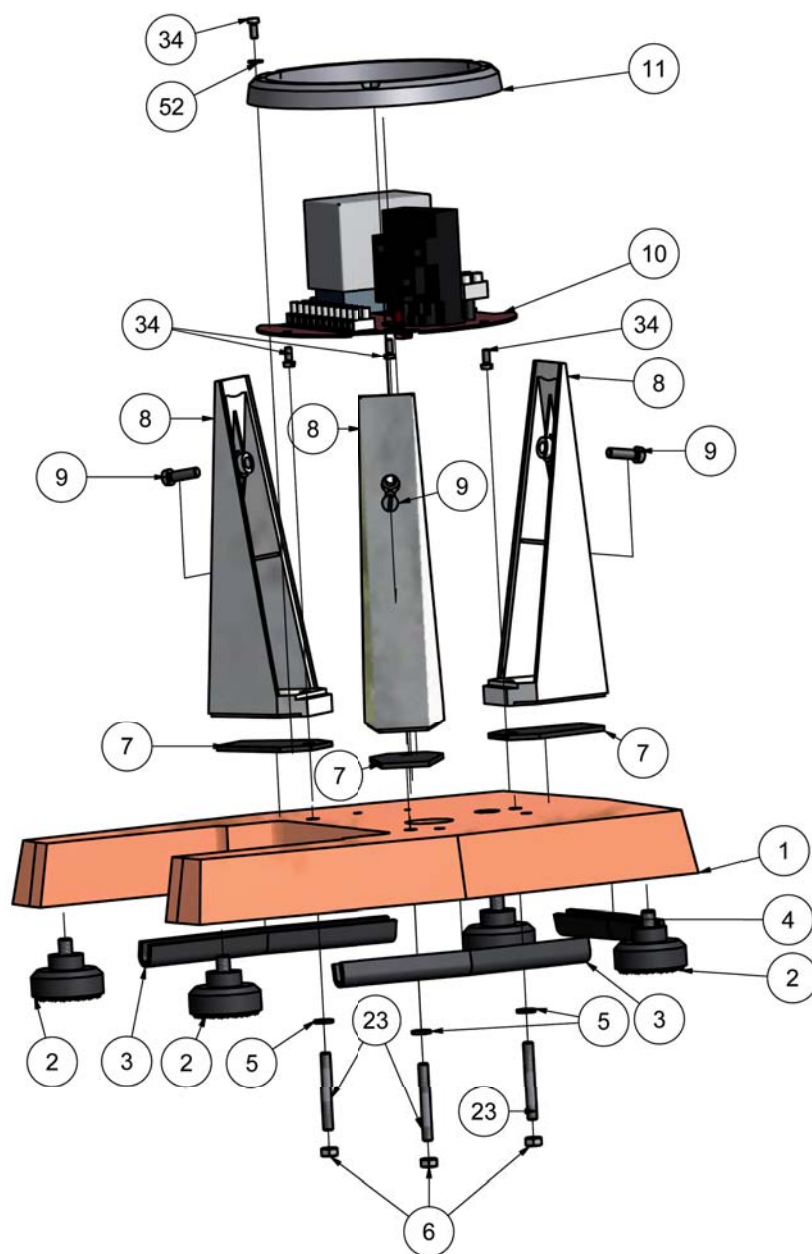
Valid from 23rd June 2014  
Supersedes all previously issued spare parts lists

Subject to change without prior notice.



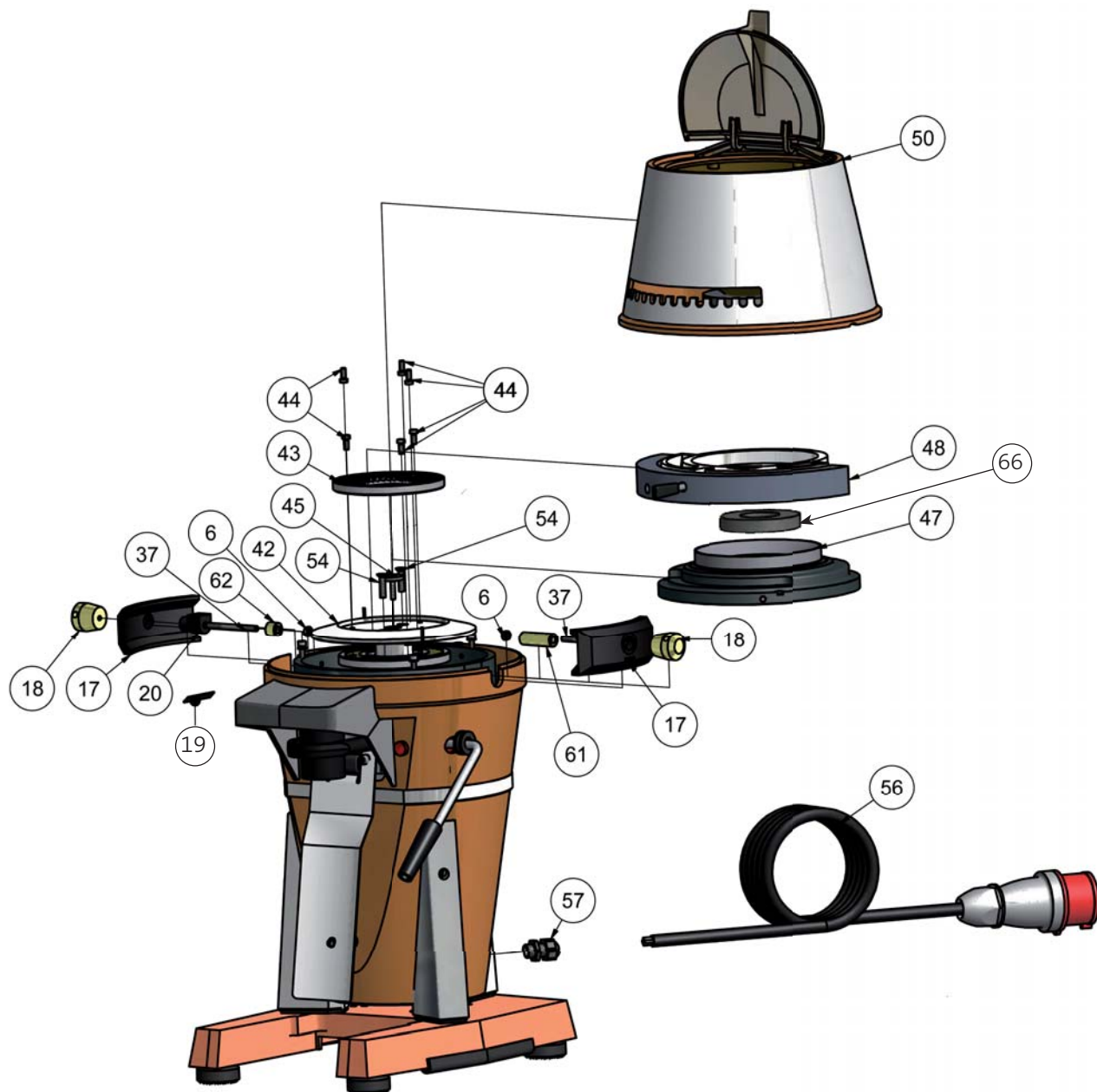
Model: VTA 6S 400V 50Hz 3~

ARTICLE NO.	DRAWING NO.	DESCRIPTION
303809	1	Base plate VTA6S outside coated structured (STATE COLOUR)
302754	2	Rubber foot with hexagon head screw M8x20 DIN 933, Perbunan
302760	3	Edge protective strip, black, 180mm
302759	4	Edge protective strip, black, 120mm
305517	5	Spring washer DIN127 A6
305544	6	Hexagon nut DIN934 M6 8 gal Zn
302730	7	Rubber spacer VTA6S, 46x68x3, black 50-60 Shore
300422	8	Foot VTA6S chromed (ABS)
305621	9	Cylinder head screw DIN84 M6x20 4.8 gal zn
304845	10	Mounting plate complete 400V/50Hz VTA6S with contactor and thermo-switch
302370	10a	Thermo circuit breaker TI16C 4 - 6,2 A UL-approved
101693	10b	Contactor AF 12-30-10-14 (ABB) up to 400V
(302188)	10c	Cover for contactor



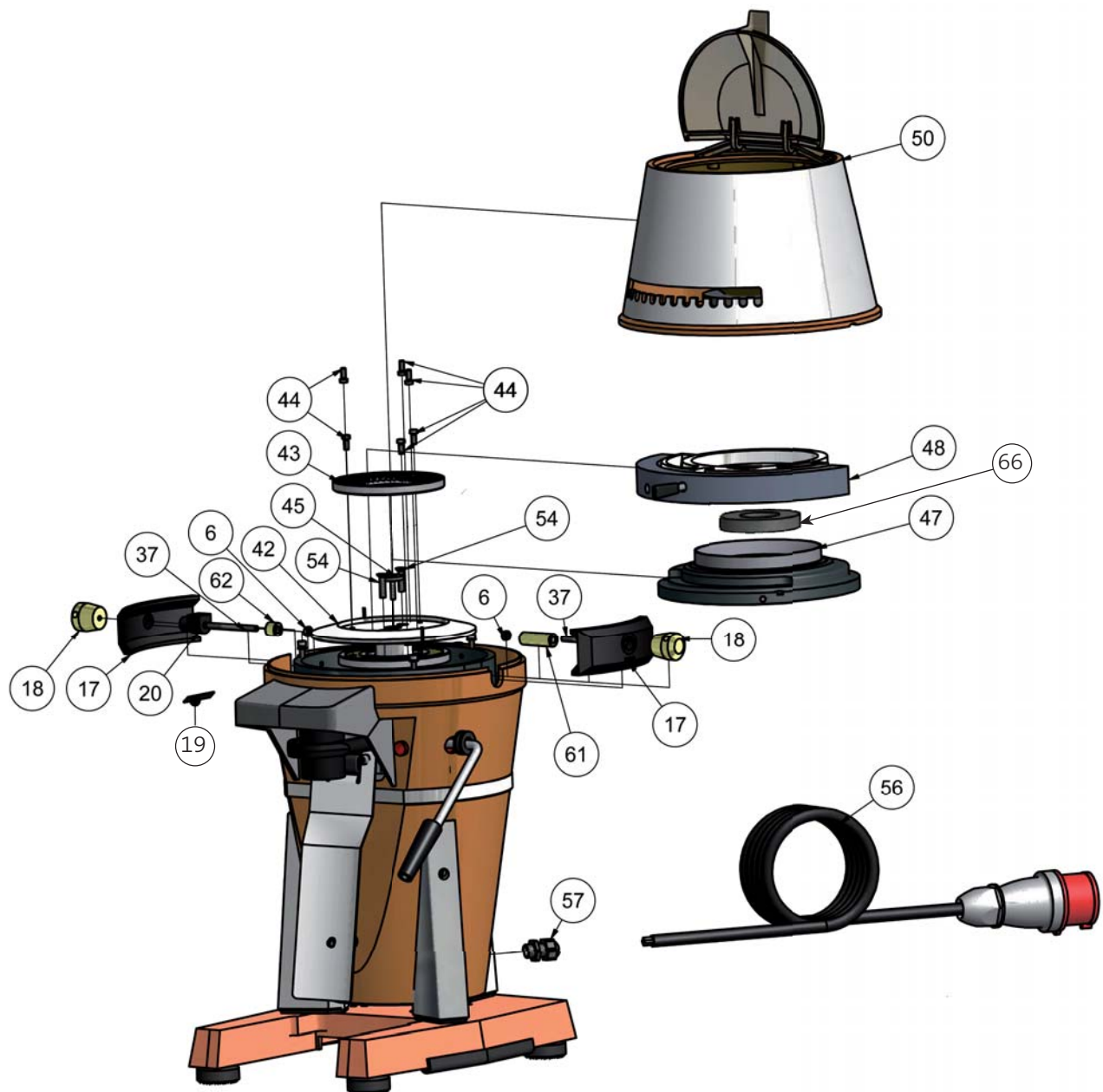
Model: VTA 6S 400V 50Hz 3~

ARTICLE NO.	DRAWING NO.	DESCRIPTION
300865	11	Clamping ring (steel pipe)
301352	23	Stud bolt M6x40 DIN835-8.8
301601	34	cylinder screw M4 x 10 DIN84 4.8 zn.
305647	52	Washer DIN125 A4,3 gal Zn
300482	--	Residue tray VTA6S with mesh



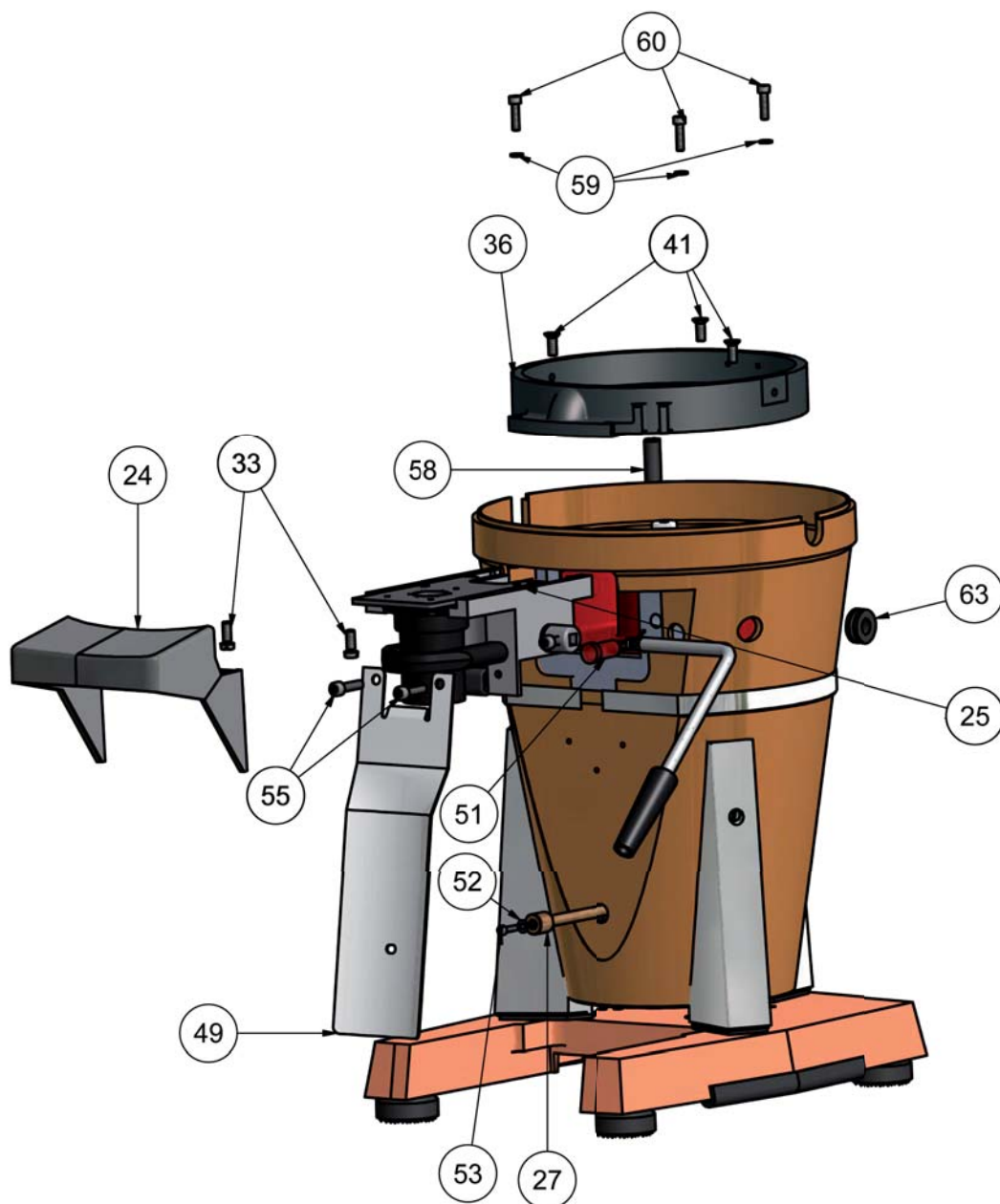
Model: VTA 6S 400V 50Hz 3~

ARTICLE NO.	DRAWING NO.	DESCRIPTION
305544	6	Hexagon nut DIN934 M6 8 gal Zn
300166	17	Clamp glued with insets
300968	18	Round handle, d=30x30mm, 1.4305, M6, cross-hole
302731	19	Self-adhesive elastic buffer
300468	20	Distance bush VTA6S Rilsan black
301522	37	Stud screw M6x67 DIN940 8.8 (glued with grinder casing)
309195	42	Grinding disc carrier VTA6S chemically nickel plated, complete with sweeps
303912	43,44	Grinding disc set VTA6S steel coffee
303962	43,44	Grinding disc set VTA6ST steel coffee turkish fine, 9,4mm (from Serial No. 302711)
303862	43,44	Grinding disc set VTA6ST steel coffee turkish fine, 11,0mm (until Serial No. 302710)
305376	43,44	Grinding disc set VTA6SHM tungsten carbide
100883	43,44	Grinding disc set VTA6STHM tungsten carbide, turkish fine
303957	43,44	Grinding disc set VTA6S cast steel (coffee, spices, grains)



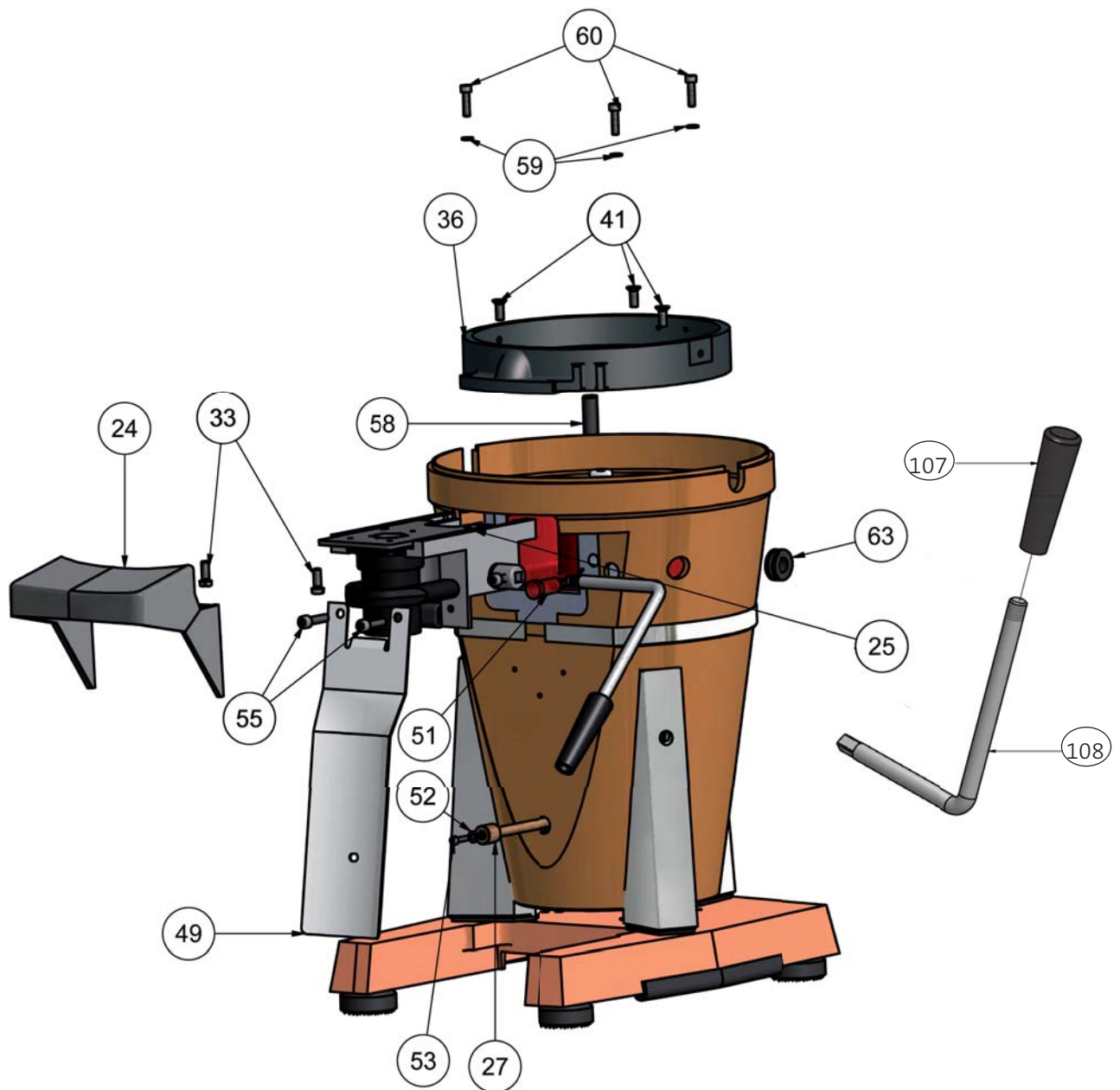
## Model: VTA 6S 400V 50Hz 3~

ARTICLE NO.	DRAWING NO.	DESCRIPTION
303916	43,44	Grinding disc set VTA6SW steel (only single-phase)
301276	44	Flat head screw DIN85 M5x10 A2-Niro stainless steel
309196	45	Screw for grinding disc carrier VTA6S chemical nickel plated
305833	47	Grinder casing cover VTA6S complete with grind adjustment
300153	48	Grind adjustment ring VTA6S complete
308536	50	Casing upper part for VTA 6S incl. lid, hopper, magnet in copper inside coating.
301564	54	Counter sunk head screw DIN963 M6x16 4.8 gal Zn
304869	56	Mains cable 4x1qmm Oelflex Quattro with CEE-plug 380V/16A 5pol.
301219	57	Screwed cable gland Skintop Pg 11 black, glued to (12)
300939	61	Bush 15x4x41 stainless steel 1.4305
300936	62	Bush 15x4x12 stainless steel 1.4305
302808	66	Seal ring polyester („doughnut“)



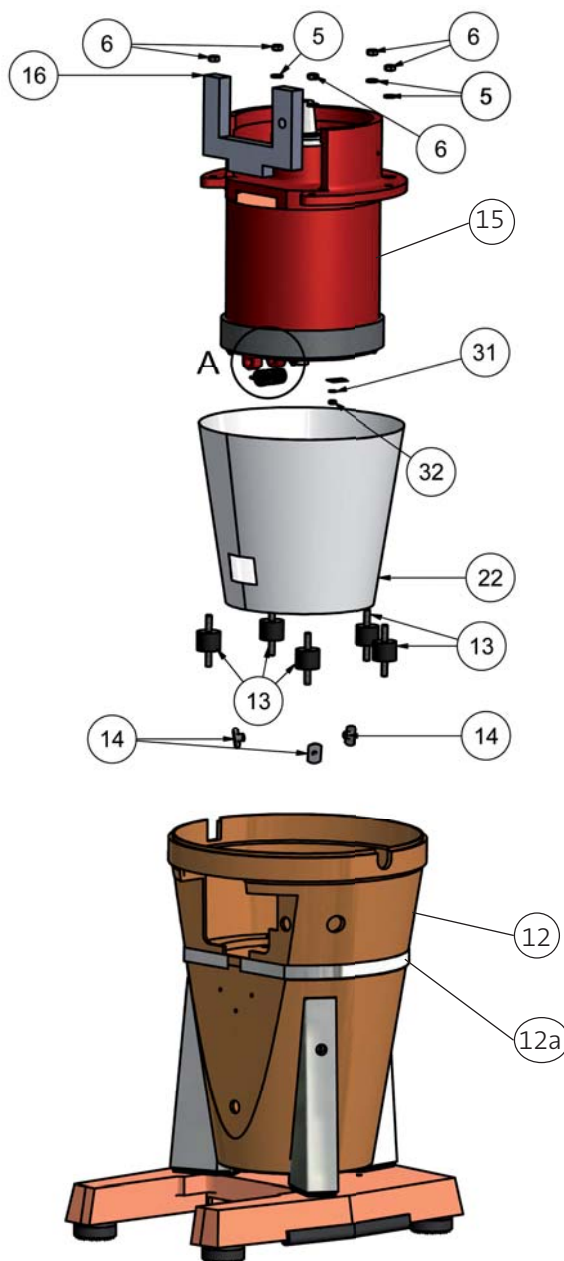
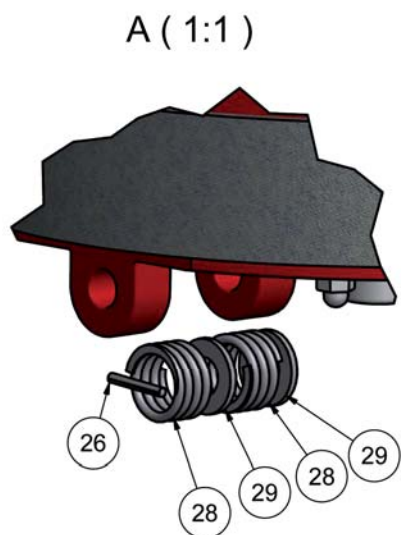
## Model: VTA 6S 400V 50Hz 3~

ARTICLE NO.	DRAWING NO.	DESCRIPTION
300307	24	Bag holder cap, ABS, black
304043	25	Bag holder switch (THS), complete VTA6S (without lever) (see p.12/13)
300922	27	Tappet, VTA6S, oil drenched, with insert nut
303676	33	Flat head screw M6x16 DIN 85 with Tuflok-spot
300084	36	Grinder casing VTA6S (CE & UL)
301564	41	Counter sunk head screw DIN963 M6x16 4.8 gal Zn
300683	49	Vibrating panel VTA6S polished
302276	51	Signal light SGF 21/3L-green 400 Volt 530mm
302747	52	Rubber funnel soft-PVC black
301414	53	Flat head screw M4 x 16 DIN85 #4.8 zn
301365	55	Flat head screw DIN85 M6x10 4.8 zn.
302721	58	Rubber tube piece, grinder casing VTA6S, D=8x15/30
305516	59	Spring ring DIN127 A5 gal Zn



Model: VTA 6S 400V 50Hz 3~

ARTICLE NO.	DRAWING NO.	DESCRIPTION
301458	60	Cylinder head screw M5x20 DIN912 8.8 zn.
302761	63	Rubber cable joint (for manual lever VTA6S), S171.103 black, Ø25mm
303754	107	Lever THS-VTA6S stainless steel
302767	108	Handle THS

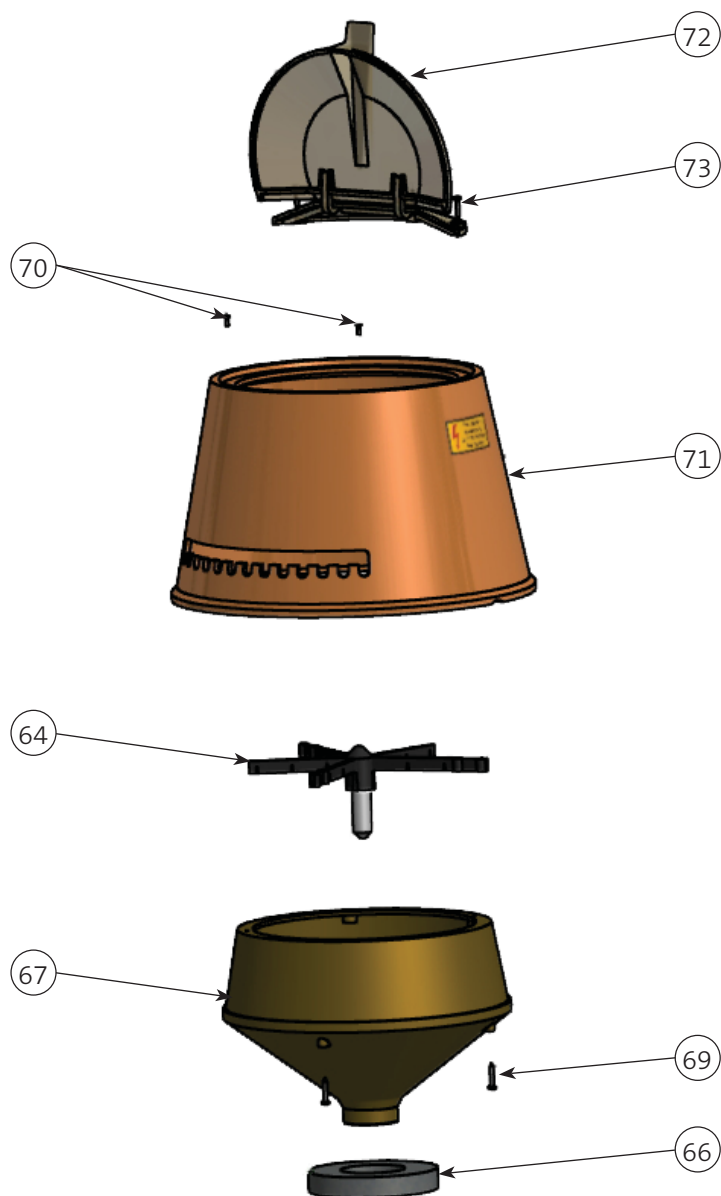


Model: VTA 6S 400V 50Hz 3~

ARTICLE NO.	DRAWING NO.	DESCRIPTION
305517	5	Spring washer DIN127 A6
305544	6	Hexagon nut DIN934 M6 8 gal Zn
300380	12	Lower housing VTA6S outside coated - STATE COLOUR
300388	12	Lower housing VTA6S inside coated - STATE COLOUR
301860	12a	Cover foil, brushed silver, self-adhesive, width 15mm, length 750mm
302720	13	Shock absorber, rubber-metal-buffer, Perbunan, oil-resistant, schwarz, 25x20 - M6x18
301526	14	L-welding nut M6x8,5 DIN1624
302606	15	Motor assembled VTA6S 400V/50Hz
302805	16	Bag holder switch cover, Polyester foam, 140x100x16, glued to (12)
302198	22	Lining for lower housing VTA6S - USA (UL-approved) NOMEX-Aramid
301197	26	Grooved taper pin 2x16 DIN1471
301987	28	Pressure spring 1,0xDA14,5xL16,0mm 3 windings
305650	29	Washer DIN125 A8,4 gal Zn

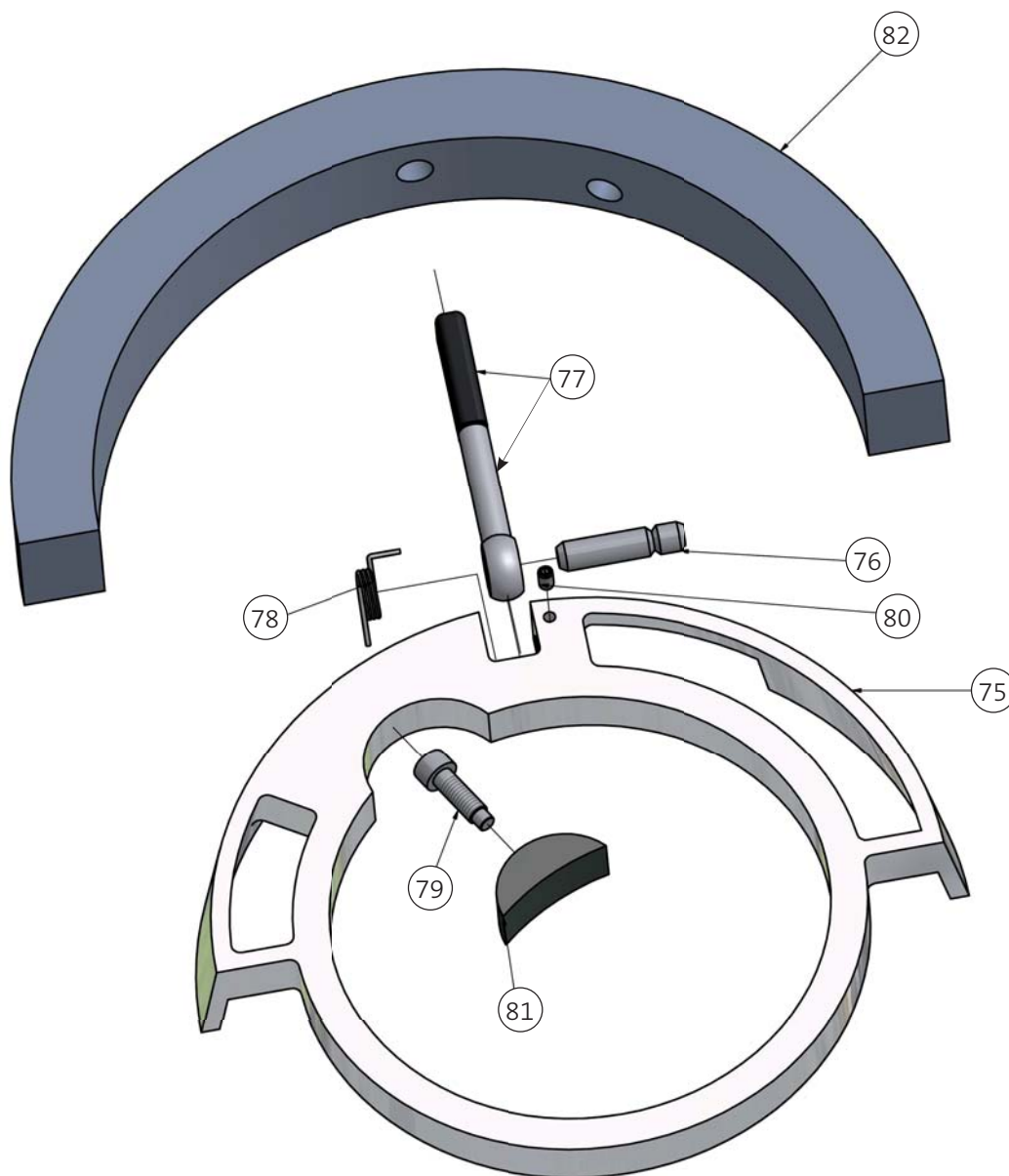






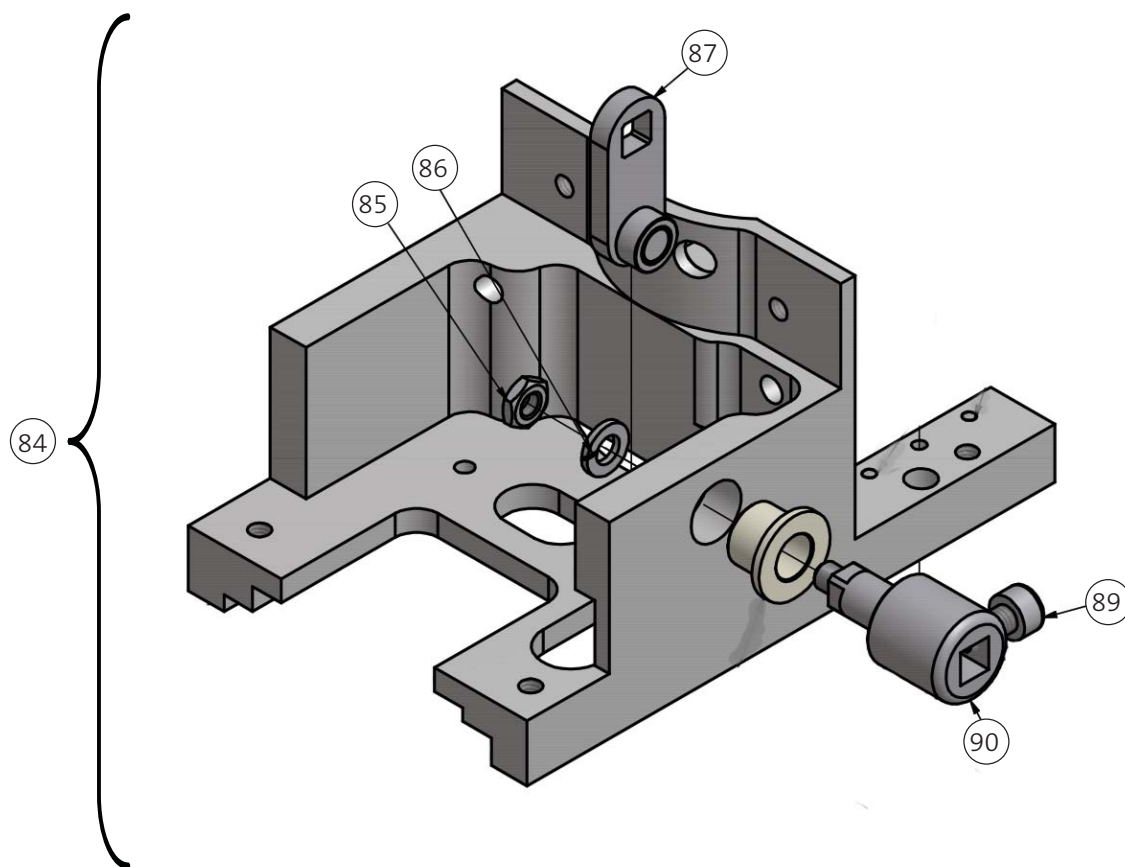
Model: VTA 6S 400V 50Hz 3~

ARTICLE NO.	DRAWING NO.	DESCRIPTION
300319	64	Hopper magnet VTA6S complete with holder
302808	66	Seal ring polyester („doughnut“)
300312	67	Hopper VTA6S complete glued
305570	69	Sheet metal raised counter sunk screw DIN7981 C4,2x19 H gal Zn
301424	70	Countersunk head screw DIN964 M3x8 4.8 zn
304888	71	Housing upper part VTA6S inside painted, copper (OTHER COLOURS ON REQUEST)
300487	72	Hinged lid VTA6S complete Makrolon brown transparent
301671	73	Cylinder head screw DIN84 M3x14 4.8 zn



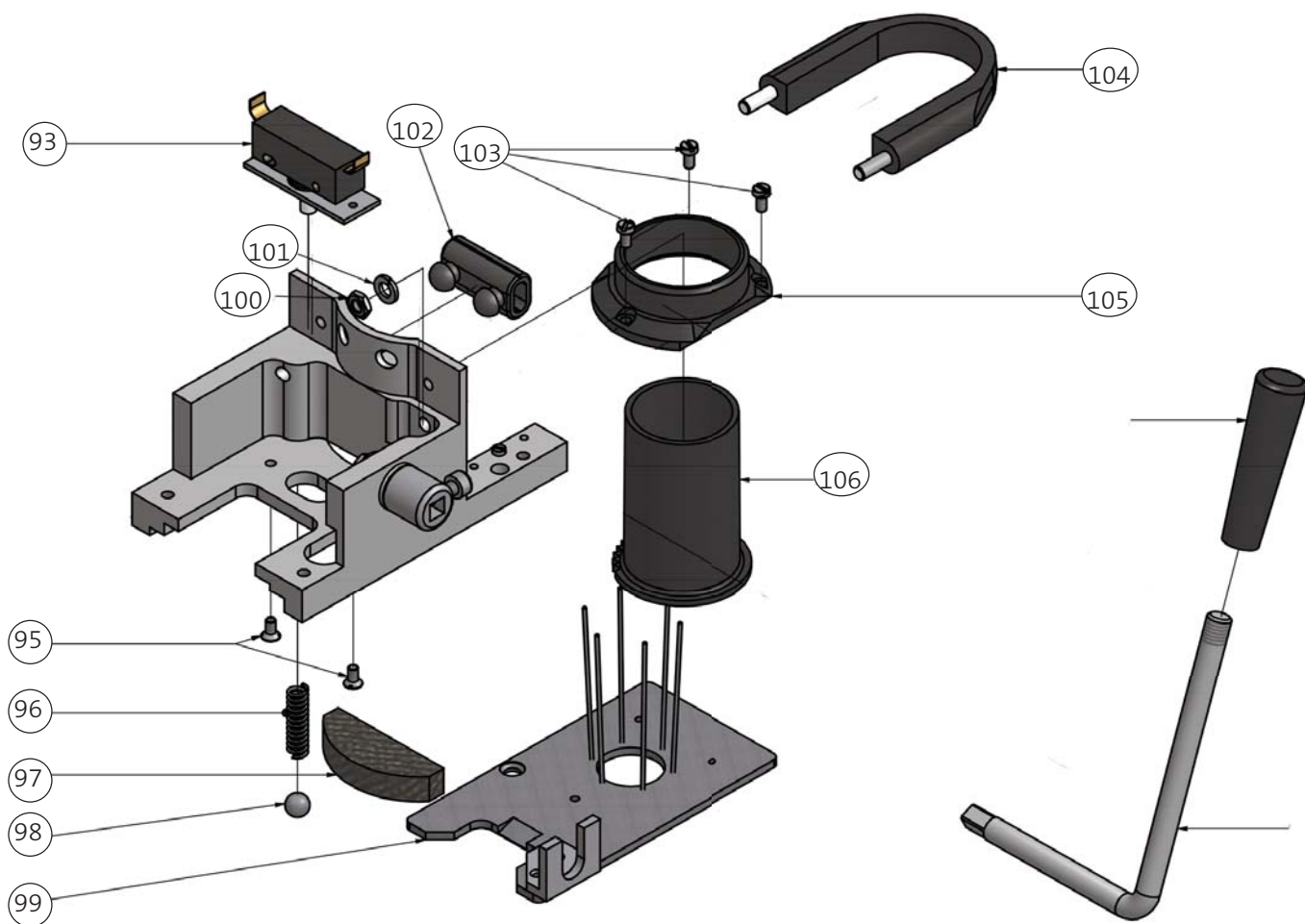
## Model: VTA 6S 400V 50Hz 3~

ARTICLE NO.	DRAWING NO.	DESCRIPTION
300152	75	Grind adjustment ring VTA6S
300917	76	Bolt for adjustment lever 11x35mm
100765	77	Adjustment lever complete
301990	78	Spring for adjustment lever d=1,25 x 12,5x5,00x3,00
300887	79	Cylinder head screw DIN912 M6x20 8.8 blk. with full dog point
301295	80	Threaded pin DIN914-45H M4x8
300035	81	Pressure piece VTA6S
302804	82	Notches cover foam black 360x30x22mm



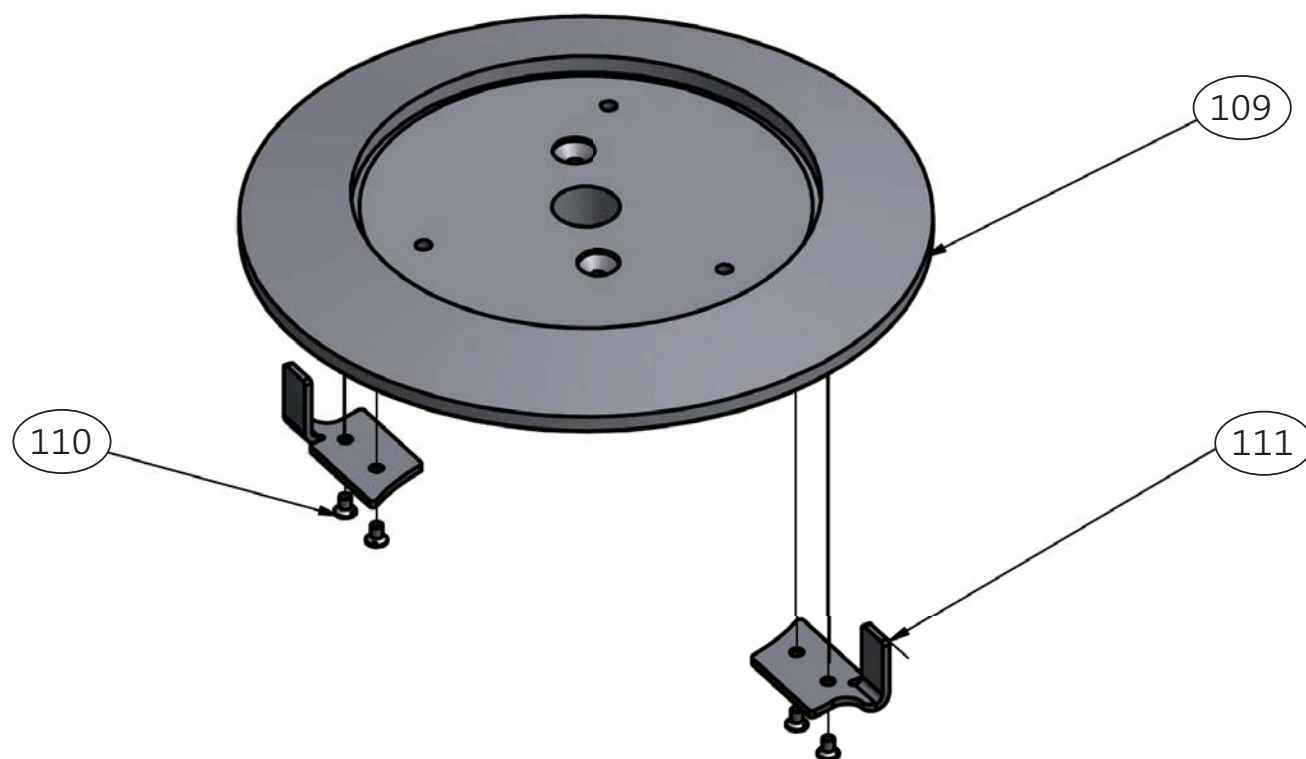
## Model: VTA 6S 400V 50Hz 3~

ARTICLE NO.	DRAWING NO.	DESCRIPTION
305259	84	Switch body THS pre-assembled
301594	85	Hexnut DIN439 M6 Gal Zn flat
305517	86	Spring ring DIN127 A6 Gal Zn
305010	87	Catch lever THS, compl. with bolt and roll
301341	89	Cylinder head screw DIN912 M6x12 8.8 VZ
300872	90	Catch bolt M6 THS VTA punched



## Model: VTA 6S 400V 50Hz 3~

ARTICLE NO.	DRAWING NO.	DESCRIPTION
310141	93	Micro switch Cherry for THS, assembly group with washer and plate
301374	95	Counter sunk screw DIN 963-M4x8-4.8 verz
301986	96	Pressure spring 1,25xDA8,5xL31,0mm 12,5 windings
100930	97	Cover for bag holder switch
301034	98	Ball D=10 (steel) 3/8-Kl. 5 RB-9.525
303745	99	Slider plate THS compl.(stainless steel)
301594	100	Hexnut DIN439 M6 Gal Zn flat
305517	101	Spring ring DIN127 A6 Gal Zn
302726	102	Clamping plate THS rubber
301413	103	Cylinder head screw DIN84 M4x8 4.8 VZ
300253	104	Stop hook THS Ultramid black
300308	105	Guide ring THS black
300309	106	Spout tube THS black



## Model: VTA 6S 400V 50Hz 3~

ARTICLE NO.	DRAWING NO.	DESCRIPTION
309194	109	Grinding disc carrier VTA6S nickel plated
309190	110	Counter sunk head screw DIN963 M3x5 4.8 A2
309192	111	Sweep angle plate VTA6S

