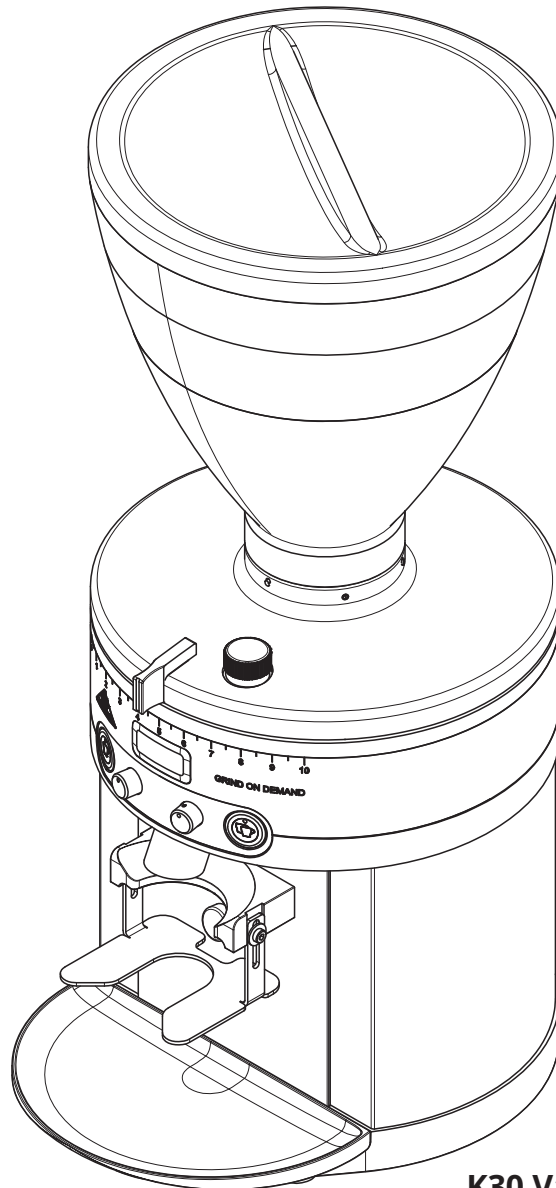


K30 Vario Air 100–127 V 50/60 Hz | 220–240 V 50/60 Hz



K30 Vario Air

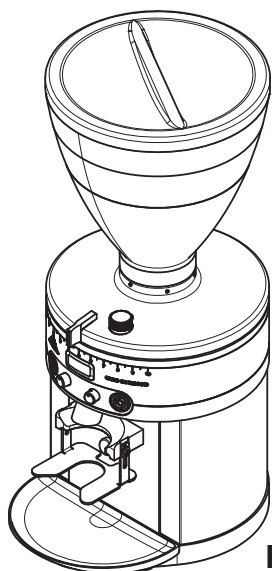
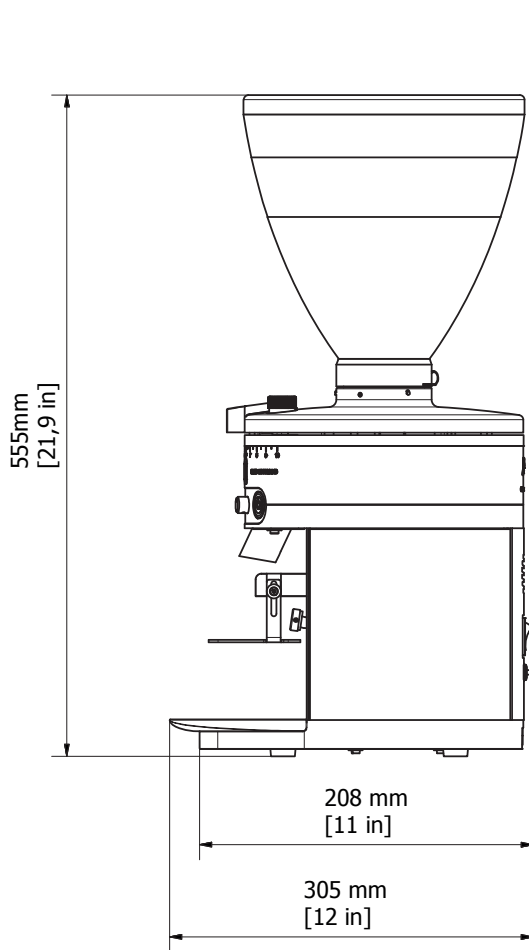


K30 Vario Air

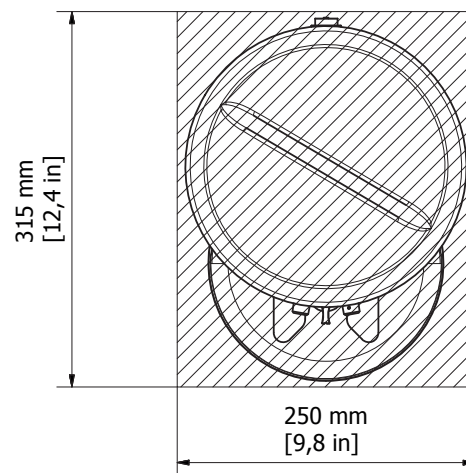
Bei Bestellungen bitte unbedingt die Artikel- und Seriennummer angeben.

Please indicate the article- and serial number when ordering.

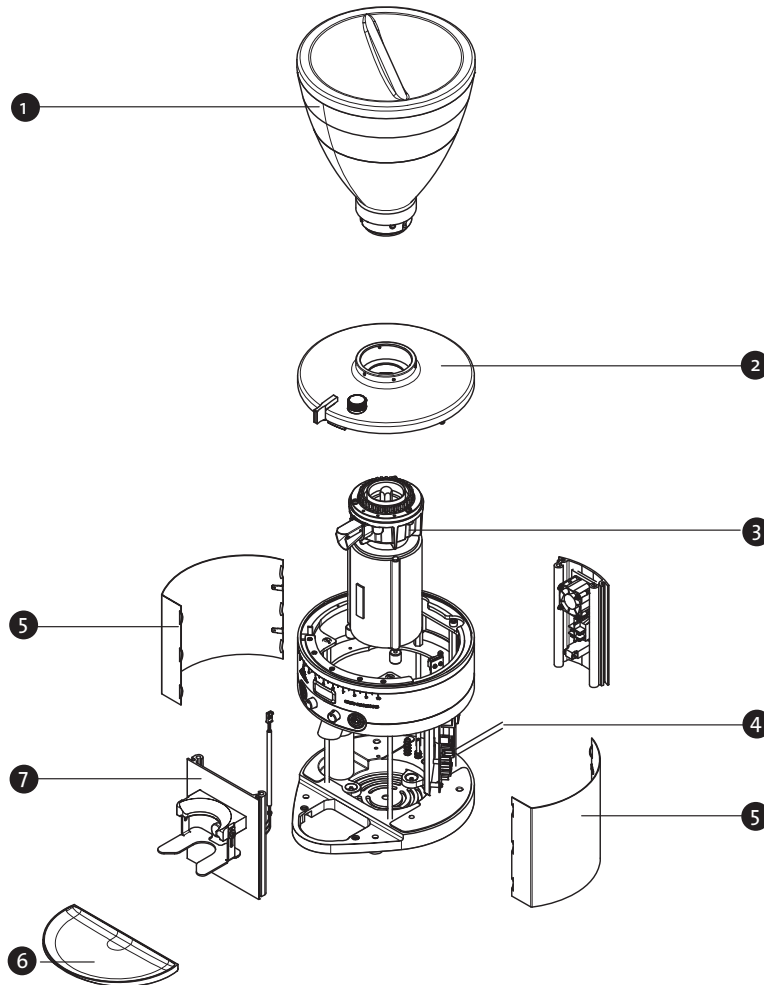
K30 Vario Air 100-127 V 50/60 Hz | 220-240 V 50/60 Hz



K30 Vario Air



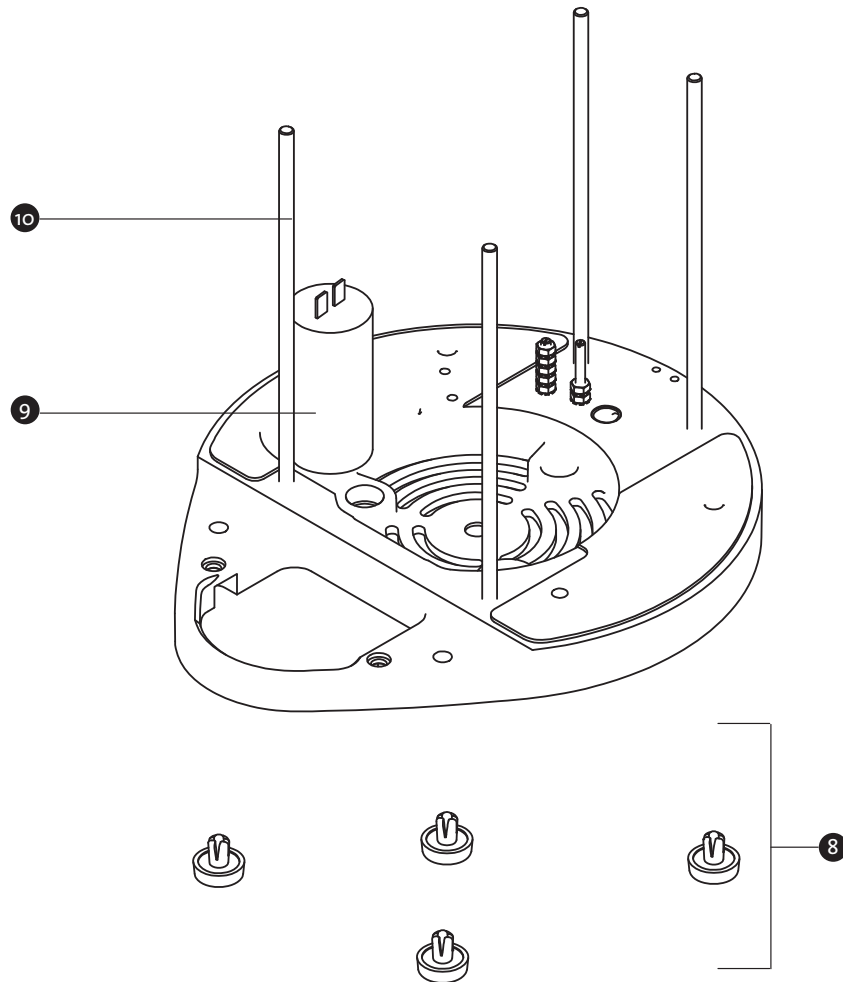
K30 Vario Air 100–127 V 50/60 Hz | 220–240 V 50/60 Hz



| MATERIAL | POS. | BESCHREIBUNG | DESCRIPTION |
|----------|------|--|---|
| 309560 | 1 | Bohnenbehälter (1,5 kg) ¹ , inkl. Deckel | Hopper (3.31 lbs.) ¹ , incl. lid |
| 308140 | 2 | Deckel Mahlgradverstellung silber, komplett | Cover grind adjustment silver, complete |
| 310462 | 2 | Deckel Mahlgradverstellung silber UL, komplett | Cover grind adjustment silver, complete* |
| 701278 | 2 | Deckel Mahlgd. mattschwarz Feinstruktur CE/UL, komp. | Cover grind adj. matt black fine structur CE/UL, complete |
| 701282 | 2 | Deckel Mahlgd. mattweiß Feinstruktur CE/UL, komp. | Cover grind adj. matt white fine structur, complete |
| 101284 | 3 | Einbaumühle 100–127 V 50/60 Hz | Built-in grinder 100–127 V 50/60 Hz |
| 101300 | 3 | Einbaumühle 220–240 V 50/60 Hz | Built-in grinder 220–240 V 50/60 Hz |
| | 4 | Netzanschlussleitung (auf Anfrage) | Power cord (on request) |
| 700424 | 5 | Dekoblech mattschwarz Feinstruktur, Servicepack | Deco panel matt black fine structur, service pack |
| 700425 | 5 | Dekoblech mattweiß Feinstruktur, Servicepack | Deco panel matt white fine structur, service pack |
| 308393 | 5 | Deckblech anthrazit, Servicepack | Deco panel anthracite, service pack |
| 306340 | 6 | Auffangschale | Drip tray |
| 306466 | 7 | Vorderschale silber CE, komplett | Front panel silber CE, complete |
| 308646 | 7 | Vorderschale silbern UL, komplett | Front panel silber UL, complete |
| 701293 | 7 | Vorderschale mattschwarz CE/UL, komplett | Front panel matt black, complete |
| 701296 | 7 | Vorderschale mattweiß CE/UL, komplett | Front panel matt white, complete |

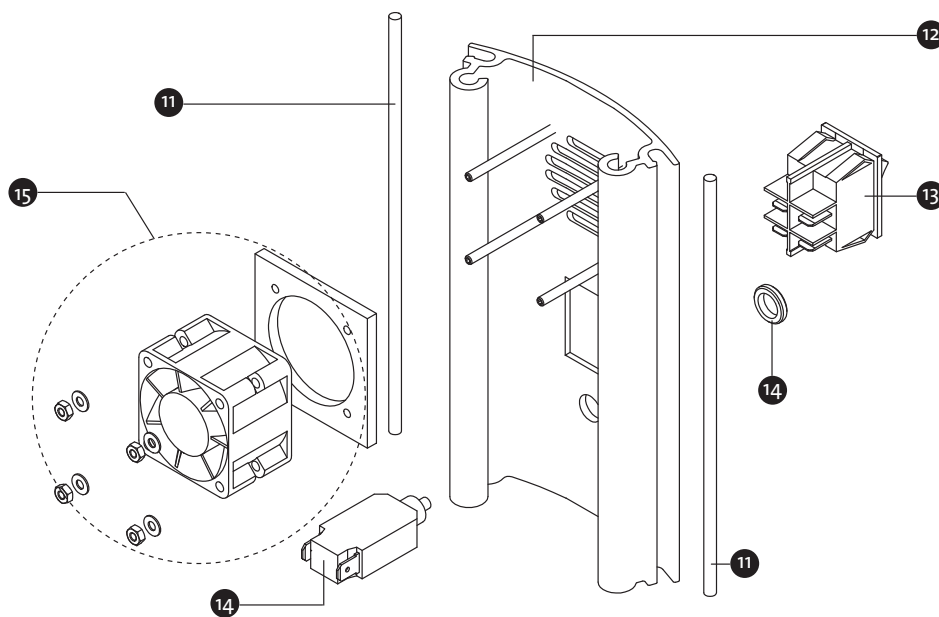
¹Geröstete Kaffeebohnen / roasted coffee beans

K30 Vario Air 100–127 V 50/60 Hz | 220–240 V 50/60 Hz



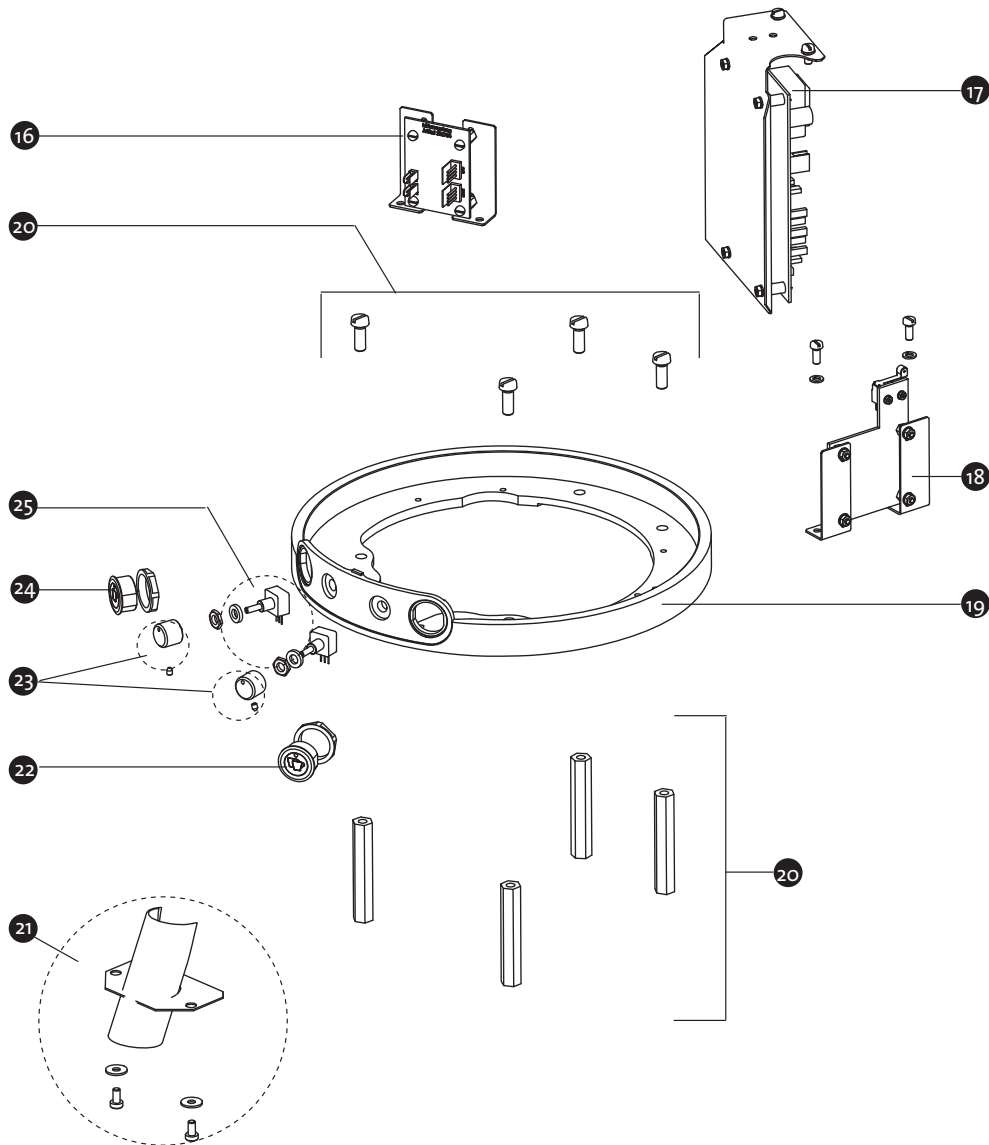
| MATERIAL | POS. | BESCHREIBUNG | DESCRIPTION |
|----------|------|--|--|
| 104613 | 8 | Gerätefüße, 4x | Device feet, 4x |
| 308486 | 9 | Kondensator 16 µF 400 V AC (für Einbaumøhlen 220–240 V) | Capacitor 16 µF 400 V AC (for built-in grinder 220–240 V) |
| 302320 | 9 | Kondensator 50 µF 250 V AC (für Einbaumøhlen 100–127 V) | Capacitor 50 µF 250 V AC (for built-in grinder 100–127 V) |
| 104612 | 10 | Gewindestangen, 4x | Threaded rods, 4x |

K30 Vario Air 100–127 V 50/60 Hz | 220–240 V 50/60 Hz



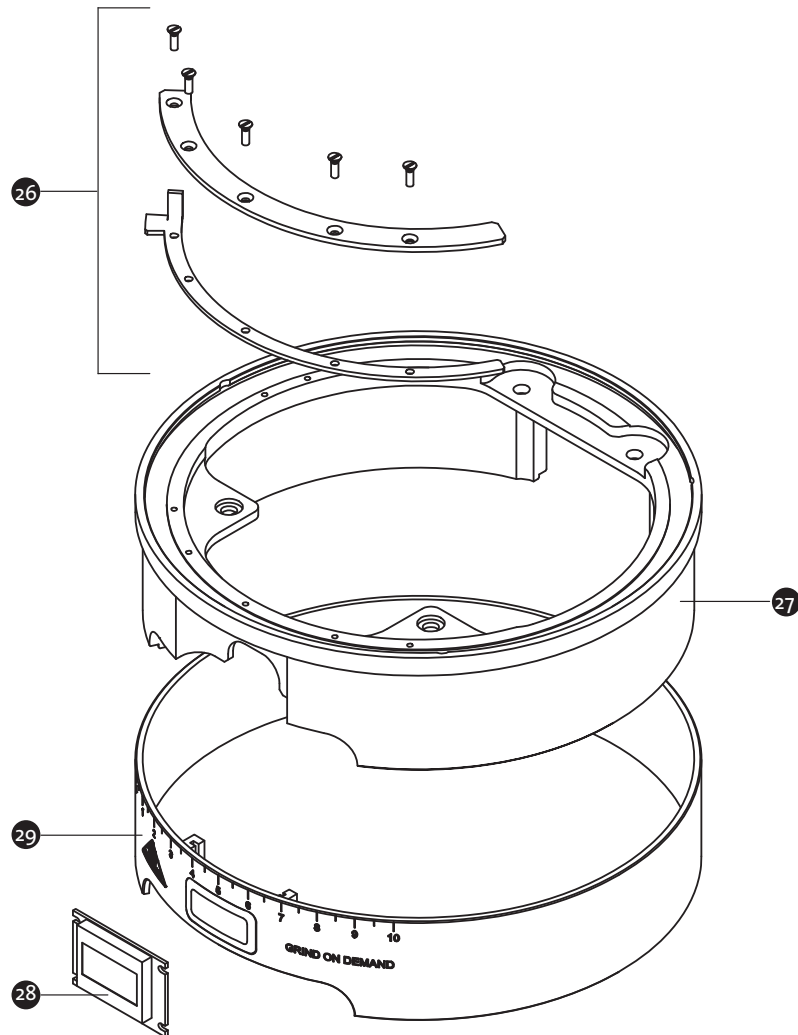
| MATERIAL | POS. | BESCHREIBUNG | DESCRIPTION |
|----------|------|-------------------------------------|-------------------------------------|
| 700900 | 11 | Gummischnüre, 4x | Rubber cords, 4x, |
| 101793 | 12 | Rückschale silber | Back panel silver |
| 701219 | 12 | Rückschale mattschwarz Feinstruktur | Back panel matt black fine structur |
| 701223 | 12 | Rückschale mattweiß Feinstruktur | Back panel matt white fine structur |
| 102732 | 13 | Wippenschalter | Rocker switch |
| 306356 | 14 | Geräteschutzschalter CBE-4A | Circuit breaker CBE-4A |
| 308383 | 14 | Geräteschutzschalter CBE-7A UL | Circuit breaker CBE-7A UL |
| 701301 | 15 | Lüfter 12 VDC, Servicepack | Fan 12 VDC, service pack |

K30 Vario Air 100–127 V 50/60 Hz | 220–240 V 50/60 Hz



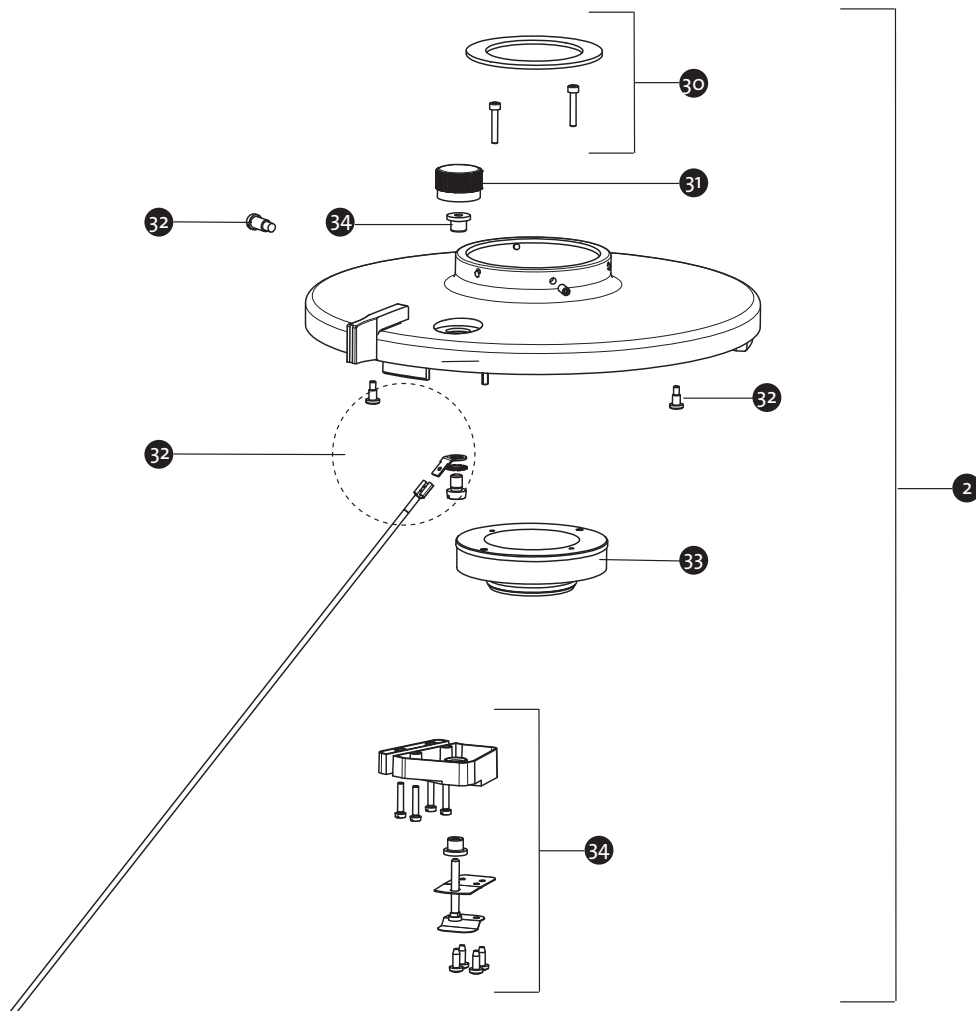
| MATERIAL | POS. | BESCHREIBUNG | DESCRIPTION |
|----------|------|--|---|
| 101784 | 16 | Temperatursteuerung für Lüfter 12 VDC | Temperature control for fan 12 VDC |
| 101367 | 17 | Netzteil 100–240 V 10 W | Power board 100–240 V 10 W |
| 307843 | 18 | Prozessorboard | Processor board |
| 105112 | 19 | Klemmring silber | Clamp ring silver |
| 105278 | 19 | Klemmring mattschwarz Feinstruktur | Clamp ring matt black fine structur |
| 700215 | 19 | Klemmring mattweiß Feinstruktur | Clamp ring matt white fine structur |
| 104574 | 20 | Abstandshalter inkl. Schrauben | Spacer incl. screws |
| 306724 | 21 | Auslauf, Servicepack | Spout, service pack |
| 310077 | 21 | Auslauf, Servicepack UL | Spout, service pack UL |
| 308551 | 22 | Taster „Double shot“ | Button „double shot“ |
| 307258 | 22 | Taster „Double shot“ UL | Button „double shot“ UL |
| 306723 | 23 | Drehknopf für Potentiometer, Servicepack | Adjustment knob for potentiometer, service pack |
| 308552 | 24 | Taster „Single shot“ | Button „single shot“ |
| 307257 | 24 | Taster „Single shot“ UL | Button „single shot“ UL |
| 307501 | 25 | Potentiometer | Potentiometer |

K30 Vario Air 100–127 V 50/60 Hz | 220–240 V 50/60 Hz



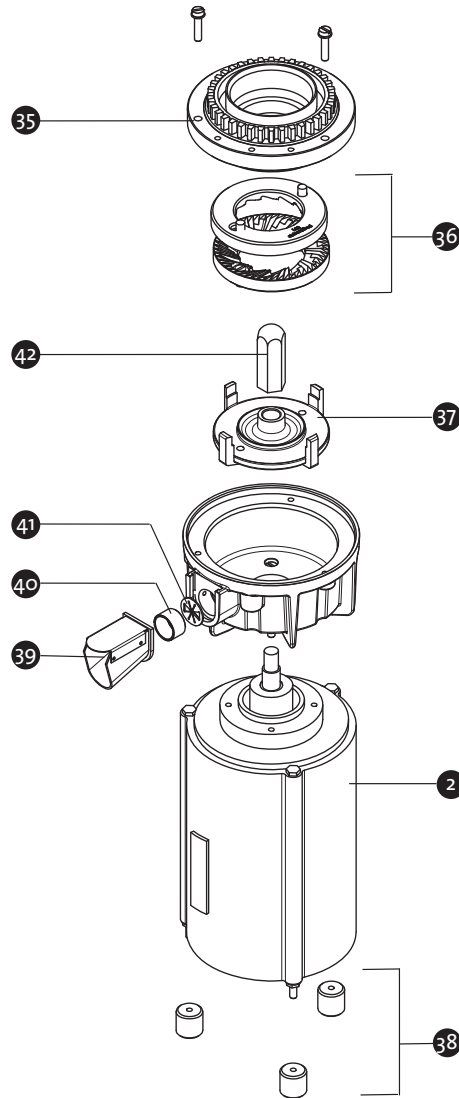
| MATERIAL | POS. | BESCHREIBUNG | DESCRIPTION |
|----------|------|--|--|
| 104582 | 26 | Distanz- und Spannschiene, Servicepack | Distance- and clamping rail, service pack |
| 105115 | 27 | Zwischenring silber | Intermediate ring silver |
| 105116 | 27 | Zwischenring mattschwarz Feinstruktur | Intermediate ring matt black fine structur |
| 105117 | 27 | Zwischenring mattweiß Feinstruktur | Intermediate ring matt white fine structur |
| 307244 | 28 | Display | Display |
| 103176 | 29 | Dekoring silber | Decor ring silver |
| 100086 | 29 | Dekoring mattschwarz Feinstruktur | Deco ring matt black fine structur |
| 105661 | 29 | Dekoring mattweiß Feinstruktur | Deco ring matt white fine structur |

K30 Vario Air 100–127 V 50/60 Hz | 220–240 V 50/60 Hz



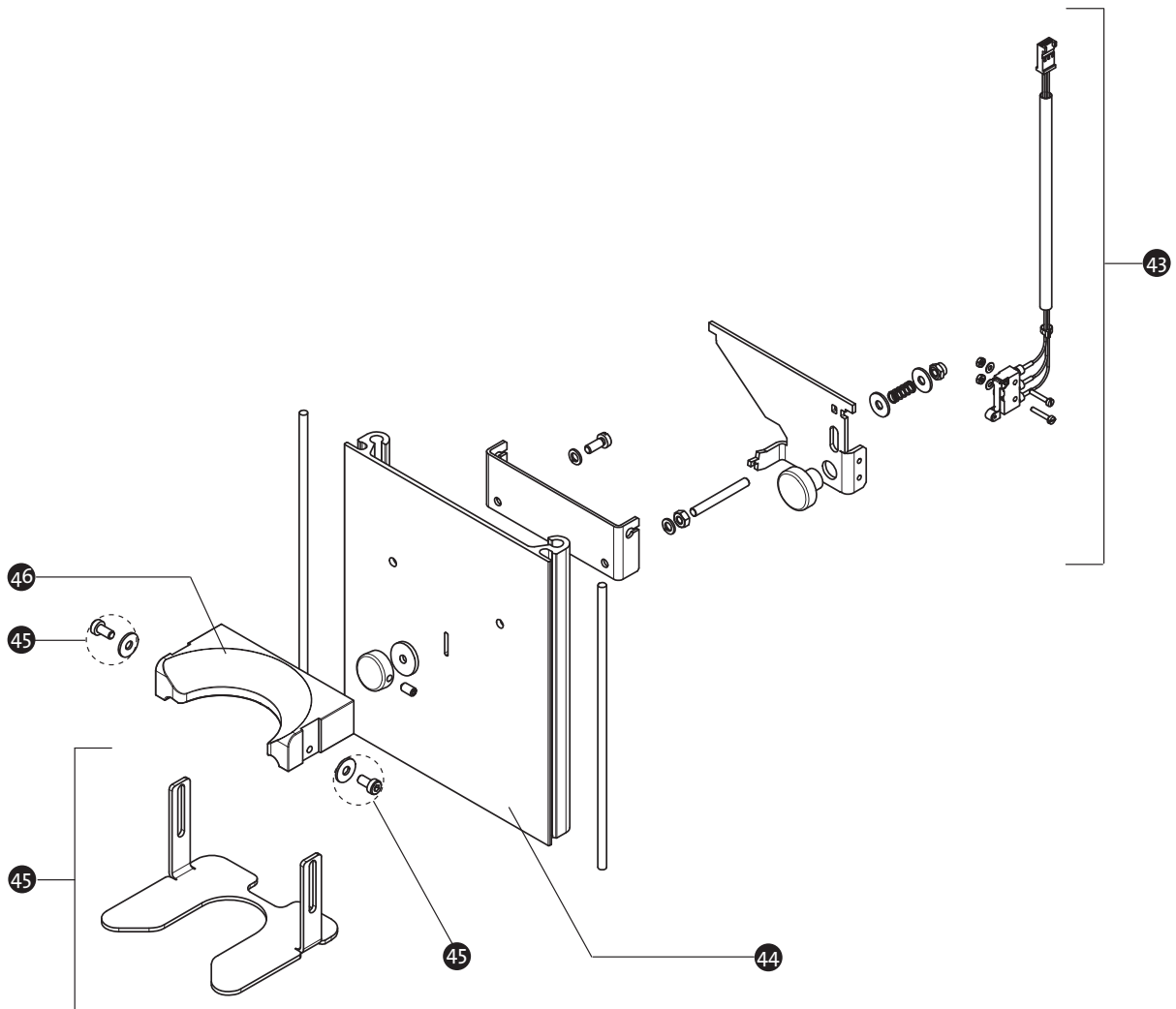
| MATERIAL | POS. | BESCHREIBUNG | DESCRIPTION |
|----------|------|--|---|
| 308140 | 2 | Deckel Mahlgradverstellung silber, komplett | Cover grind adjustment silver, complete |
| 310462 | 2 | Deckel Maghlgradverstellung silber UL, komplett | Cover grind adjustment silver UL, complete |
| 701278 | 2 | Deckel Mahlgd. mattschwarz Feinstruktur CE/UL, komp. | Cover grind adj. matt black fine structur CE/UL, complete |
| 701282 | 2 | Deckel Mahlgd. mattweiß Feinstruktur CE/UL, komp. | Cover grind adj. matt white fine structur, complete |
| 701119 | 30 | Dichtring | Seal ring |
| 308041 | 31 | Entsperrknopf Mahlgradarretierung | Locking grind adjustment knob |
| 104589 | 32 | Schraubenset für den Deckel mit Mahlgd. CE/UL | Screw set for grinder cover CE/UL |
| 309638 | 33 | Adapter Mahlgradverstellung CE/UL, Servicepack | Adapter grind adjustment CE/UL, service pack |
| 104590 | 34 | Mahlgradarretierung Kleinteileset, Servicepack | Locking grind adjustment, service pack |

K30 Vario Air 100–127 V 50/60 Hz | 220–240 V 50/60 Hz



| MATERIAL | POS. | BESCHREIBUNG | DESCRIPTION |
|----------|------|--------------------------------|-------------------------------------|
| 230896 | 35 | Mahlscheibenträger feststehend | Grinding disc carrier fixed |
| 306715 | 36 | Mahlscheibensatz Espresso | Grinding disc set espresso |
| 242544 | 37 | Mahlscheibenträger drehend | Grinding disc carrier rotary |
| 101284 | 3 | Einbaumühle 100–127 V 50/60 Hz | Built-in grinder 100–127 V 50/60 Hz |
| 101300 | 3 | Einbaumühle 220–240 V 50/60 Hz | Built-in grinder 220–240 V 50/60 Hz |
| 701314 | 38 | Schwingungsdämpfer, 3x | Shock absorbers, 3x |
| 310467 | 39 | Auslauf, komplett | Spout, complete |
| 310114 | 40 | Flapperfixierung | Flapper fixing |
| 310139 | 41 | Flapper | Flapper |
| 242477 | 42 | Fingerschutz | Finger protection |

K30 Vario Air 100–127 V 50/60 Hz | 220–240 V 50/60 Hz



| MATERIAL | POS. | BESCHREIBUNG | DESCRIPTION |
|----------|------|---------------------------------------|---------------------------------------|
| 306720 | 43 | Mikroschalter, Servicepack | Micro switch, service pack |
| 306344 | 44 | Vorderschale silber | Front cover silver |
| 104286 | 44 | Vorderschale mattschwarz Feinstruktur | Front cover matt black fine structur |
| 104287 | 44 | Vorderschale mattweiß Feinstruktur | Front cover matt white fine sttructur |
| 306719 | 45 | Siebträgerauflage, Servicepack | Portafilter support, service pack |
| 310080 | 45 | Siebträgerauflage UL, Servicepack | Portafilter support UL, service pack |
| 307425 | 46 | Siebträgeraufnahme | Portafilter mounting |

K30 Vario Air 100–127 V 50/60 Hz | 220–240 V 50/60 Hz

ÄNDERUNGEN IN DER ERSATZTEILLISTE - CHANGES IN THE SPARE PARTS LIST:

| VERS. | MATERIAL | POS. | BESCHREIBUNG | DESCRIPTION | BEMERKUNG | COMMENT |
|-------|----------|------|--------------|-------------|-----------|---------|
| | | | | | | |
| | | | | | | |
| | | | | | | |
| | | | | | | |
| | | | | | | |
| | | | | | | |
| | | | | | | |
| | | | | | | |
| | | | | | | |
| | | | | | | |
| | | | | | | |
| | | | | | | |
| | | | | | | |
| | | | | | | |
| | | | | | | |
| | | | | | | |
| | | | | | | |
| | | | | | | |
| | | | | | | |
| | | | | | | |
| | | | | | | |
| | | | | | | |
| | | | | | | |
| | | | | | | |
| | | | | | | |
| | | | | | | |
| | | | | | | |
| | | | | | | |
| | | | | | | |
| | | | | | | |
| | | | | | | |
| | | | | | | |
| | | | | | | |

gültig ab | valid from
2019-08-15

Änderungen ohne Vorankündigung vorbehalten. | Subject to change without prior notice.

