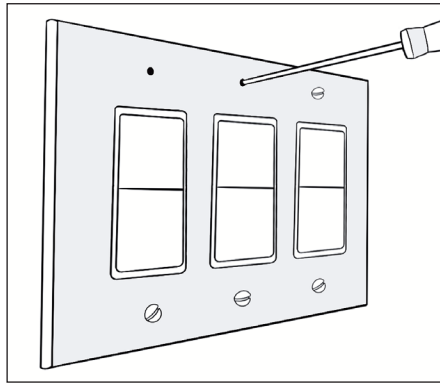


# kül plates Installation Instructions

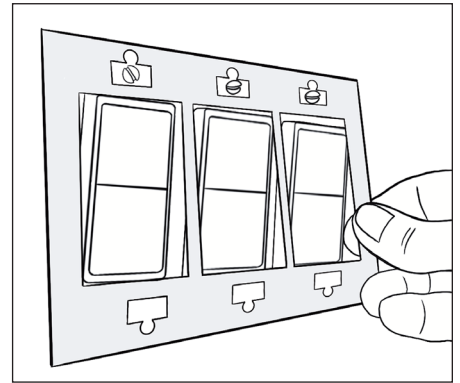
kül plates offer a modern alternative to conventional light switch covers. The clean lines of our screwless wall plates provide a minimalist design that can redefine your home's aesthetics.



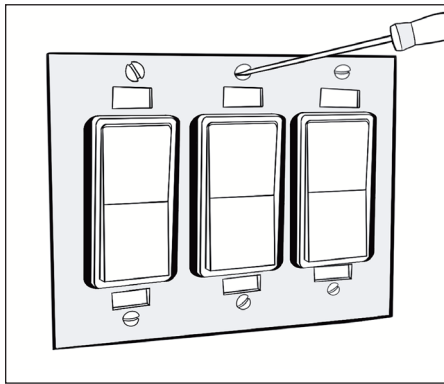
1. Turn off power



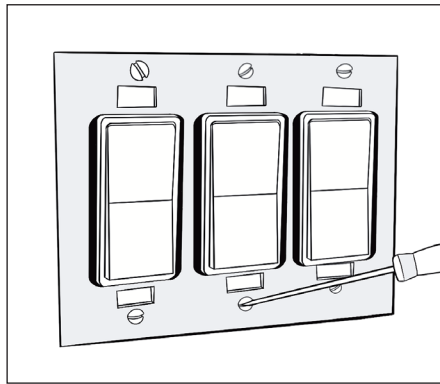
2. Remove old cover plate



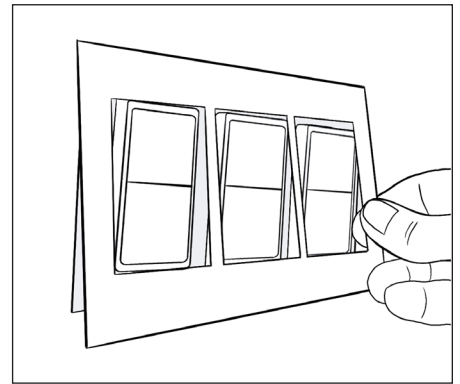
3. Align backing plate into place



4. Tighten included screws down



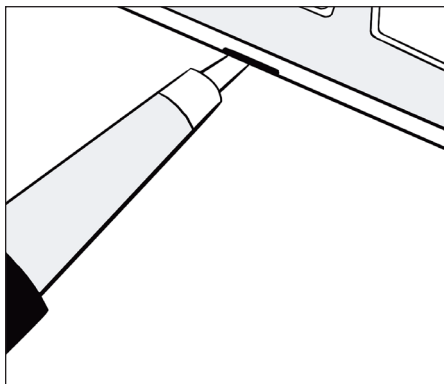
5. Adjust switches to level them



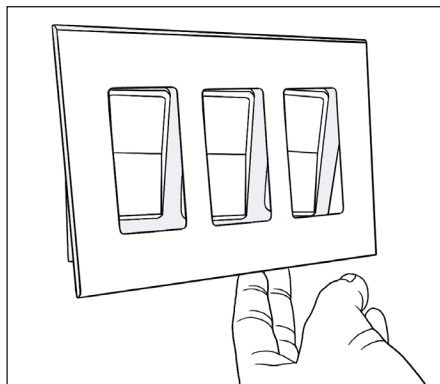
6. Snap on kül plate

## Removal of kül plates

There is a slot on the bottom which can be used to grip the kül plate. You can use a screw driver or even your finger nail.



4. Tighten included screws down



4. Tighten included screws down

Scan for more info

