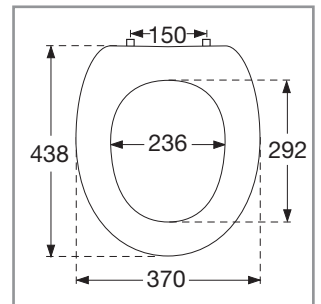




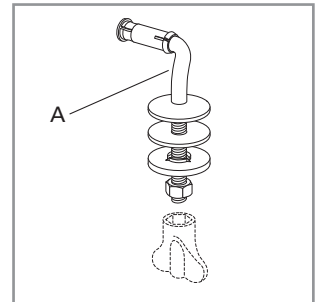
Toilet seat Omnia Classic

Model 8823 61 Omnia Classic toilet seat, incl. 8823 01 61 fixed hinge

Product Description Omnia Classic toilet seat in Sandwich design made of colour ingrained duroplast with hinge in stainless steel and plastic
 – incl. fixed hinge in stainless steel
 – centre distance: 150 mm
 – load of ring seat: 240 kg
 – 10 year guarantee

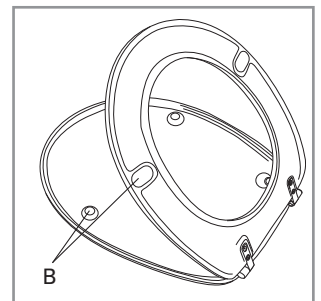


Colour Programme
 01 White (Alpin)
 09 Pergamon
 R4 Beige
 R5 Manhattan



Hinge Finish 61 Stainless steel

Spare Parts
 A) 8823 01 61 Fixed hinge
 B) 9220 80 00 Buffers for seat and cover



Cleaning Instructions Use a mild soap solution. Seat and hinge should not be left damp, but be dried with a soft cloth. When using abrasive, corrosive or chlorine based cleaners for the bowl, avoid contact with seat and hinge as it may lead to damages or flash rust. Therefore, when cleaning the bowl, make sure that seat and cover are in an upright position until all the cleaner has been flushed away



Toilet seat Omnia Classic

Instruction manual



Material Description

TOILET SEAT: The material is colour ingrained duroplast (UF A 10 = urea formaldehyde) that contains no environmentally hazardous substances. UF plastic comprises 67% urea formaldehyde resin, 28% cellulose, as well as 5% minerals, pigments, lubricants and moisture content. The raw material from the supplier contains less than 0,03% formaldehyde after a special curing process.

BUFFERS: EVA (copolymer made of ethylene and vinyl acetate)

MOUNT/HINGE: Stainless steel

Guarantee

The guarantee includes faults or defects in the material of our products within a periode of 10 years. Products subject to minor technical modifications and design deviations E. & O.E.