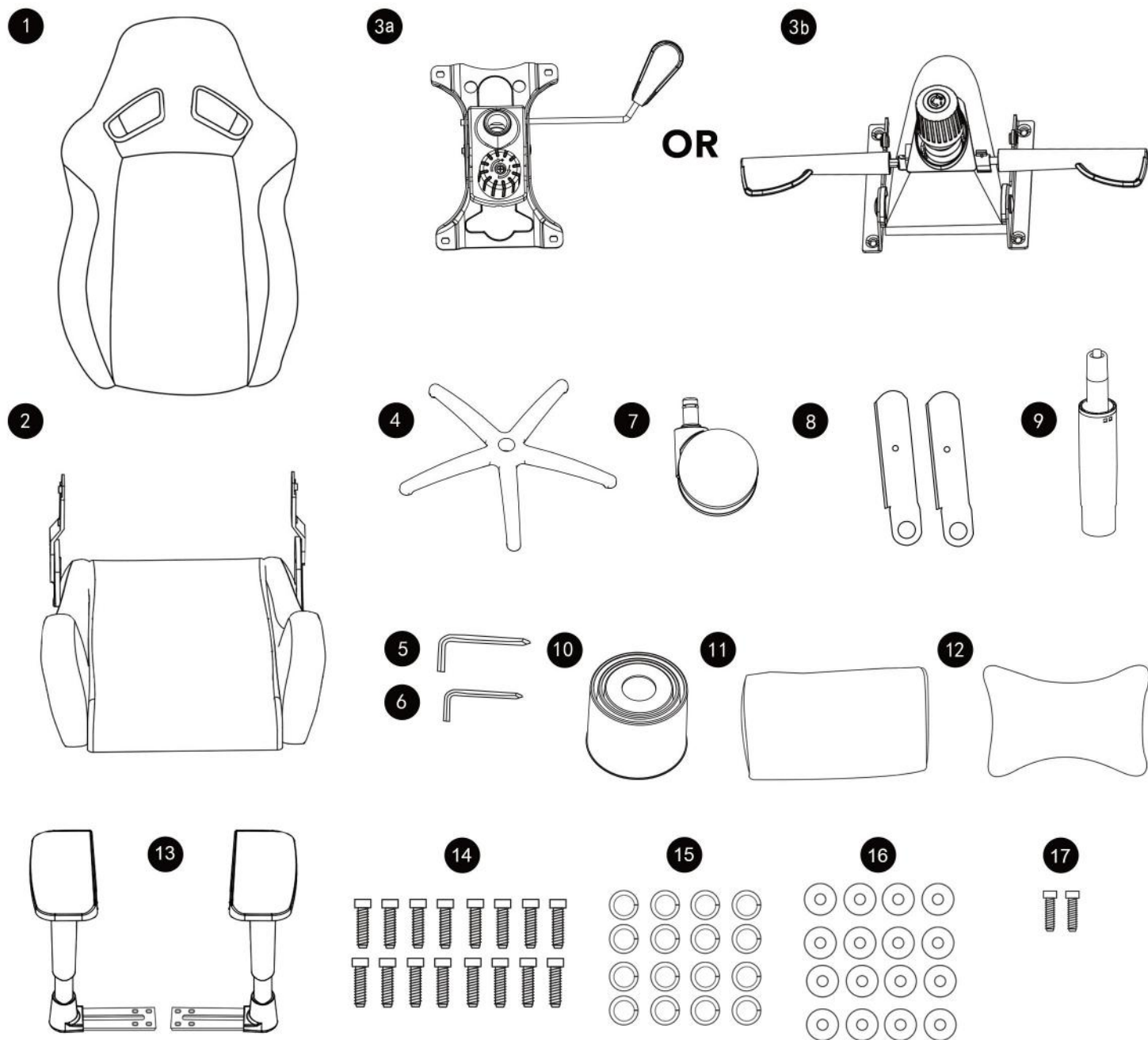




# CHAIR ASSEMBLY GUIDE

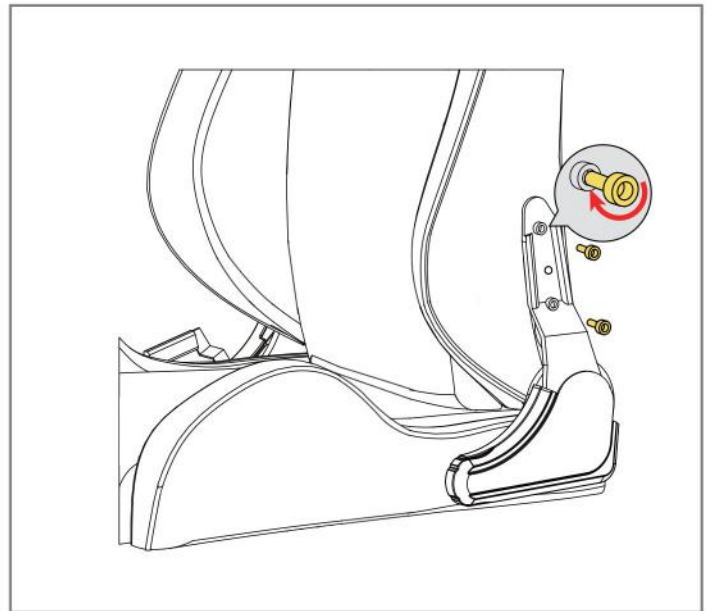
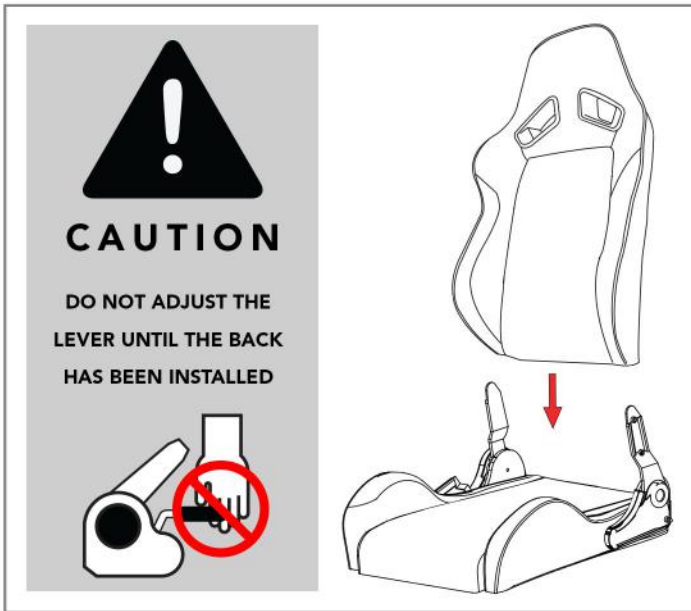
# PACKAGE CONTENTS DIAGRAM



- |                           |                            |
|---------------------------|----------------------------|
| 1. Backrest               | 9. Gas piston              |
| 2. Seat base              | 10. Piston cover           |
| 3a. Small chair mechanism | 11. Lumbar cushion         |
| 3b. Large chair mechanism | 12. Headrest cushion       |
| 4. Five-star base         | 13. 2x Armrests            |
| 5. 8mm Allen key          | 14. 16x M8 bolts           |
| 6. 6mm Allen key          | 15. 16x 8mm spring washers |
| 7. 5x Caster wheel        | 16. 16x M8 washer          |
| 8. Side cover             | 17. 2x M6 bolts            |

**NOTE: 2X M6 BOLTS , M8 BOLTS ARE ALL PRE-INSTALLED INTO THE CHAIR**

# INSTALLATION GUIDE



# 1

## Connect seat back with seat base

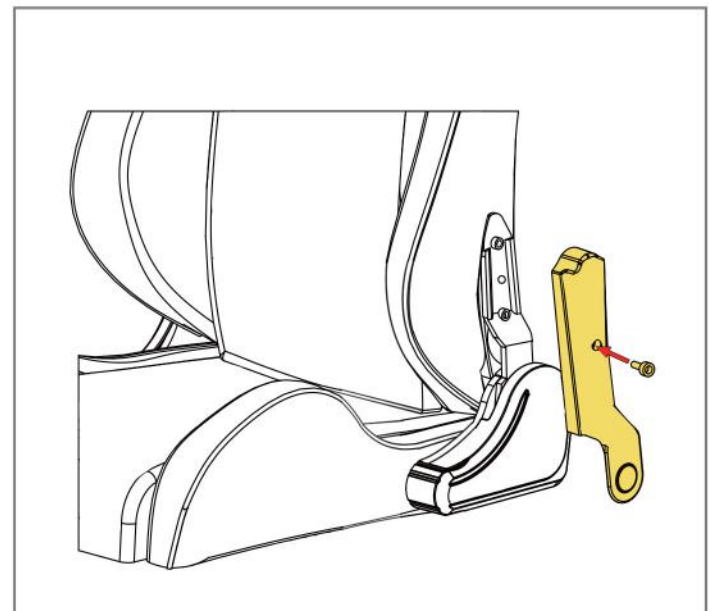
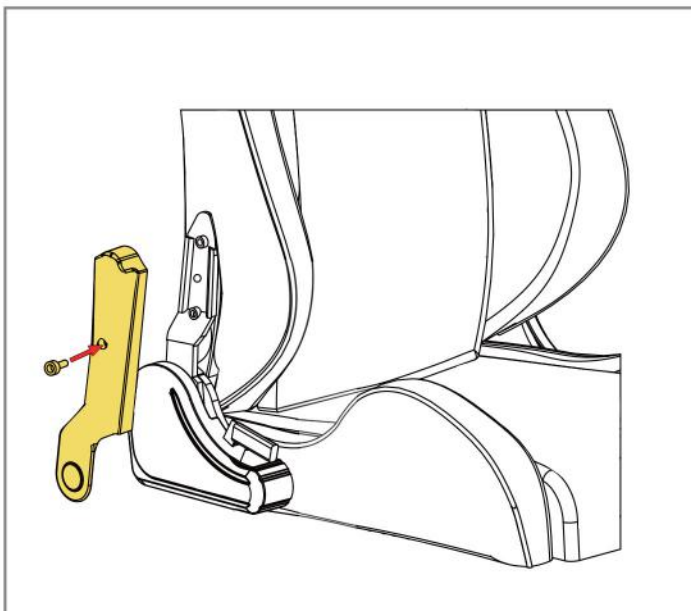
Remove the four pre-installed M8 bolts from the backrest using the 8mm Allen key. Align the backrest and the rear of the seat base carefully according to the picture.

Secure back onto the seat via the loose support bracket before the tight one.

# 2

## Secure seat back with seat base

Use the 8mm Allen key and the previously removed M8 bolts to attach the backrest to the seat base.



# 3

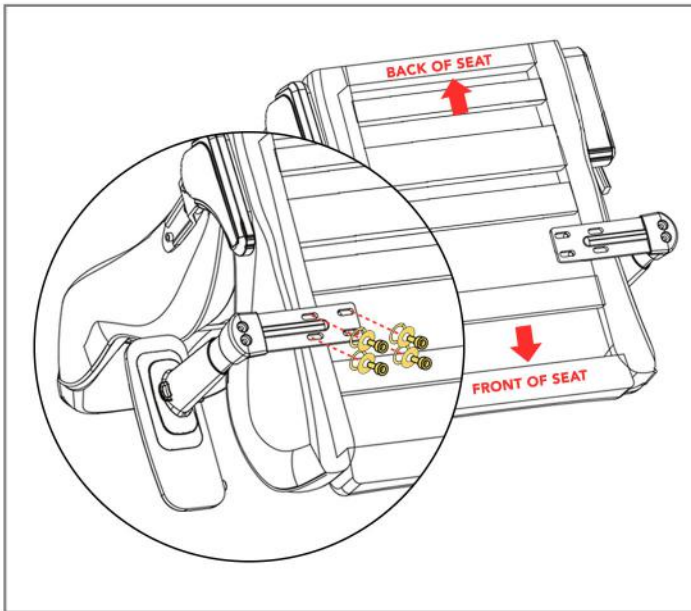
## Right side cover

Attach the right side cover to the support bracket on the chair. Then fasten the M6 bolts using 6mm Allen key.

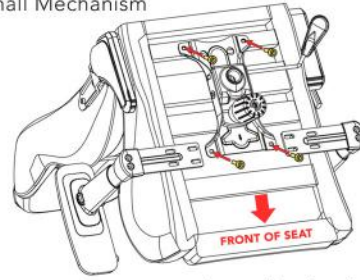
# 4

## Left side cover

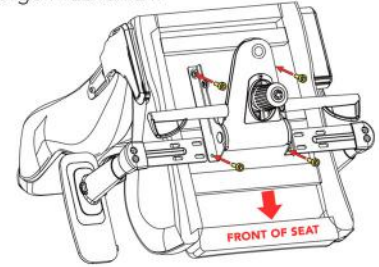
Attach the left side cover to the support bracket on the chair. Then fasten the M6 bolts using 6mm Allen key.



Small Mechanism



Large Mechanism



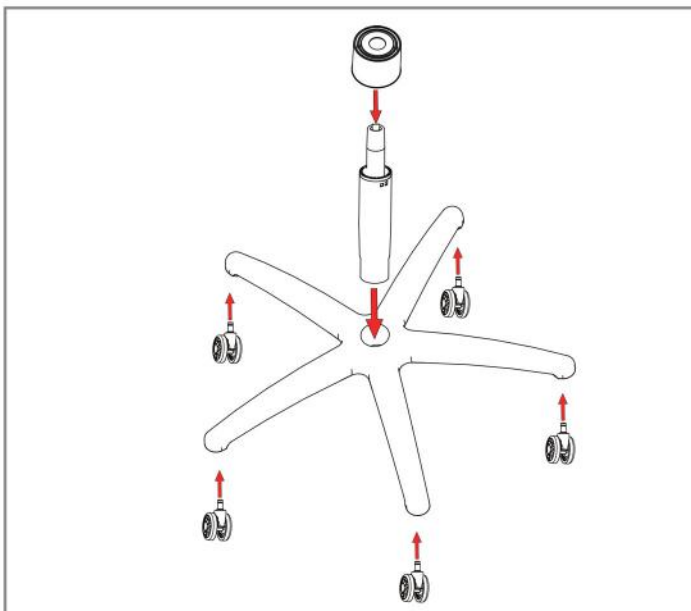
## 5 Armrest mounting

Attach the armrests, making sure the correct armrests are on their designated side.

Secure the arm rests with the M8 bolts, spring washers and washers supplied. Attach all four of the bolts, spring washers and washers before tightening.

## 6 Chair mechanism mounting

Remove the four pre-installed M8 screws with the 8mm Allen key from the bottom of the seat base. Align the chair mechanism according to the posted directions on the bottom of the seat base. Attach the chair mechanism by using the previously removed M8 screws.



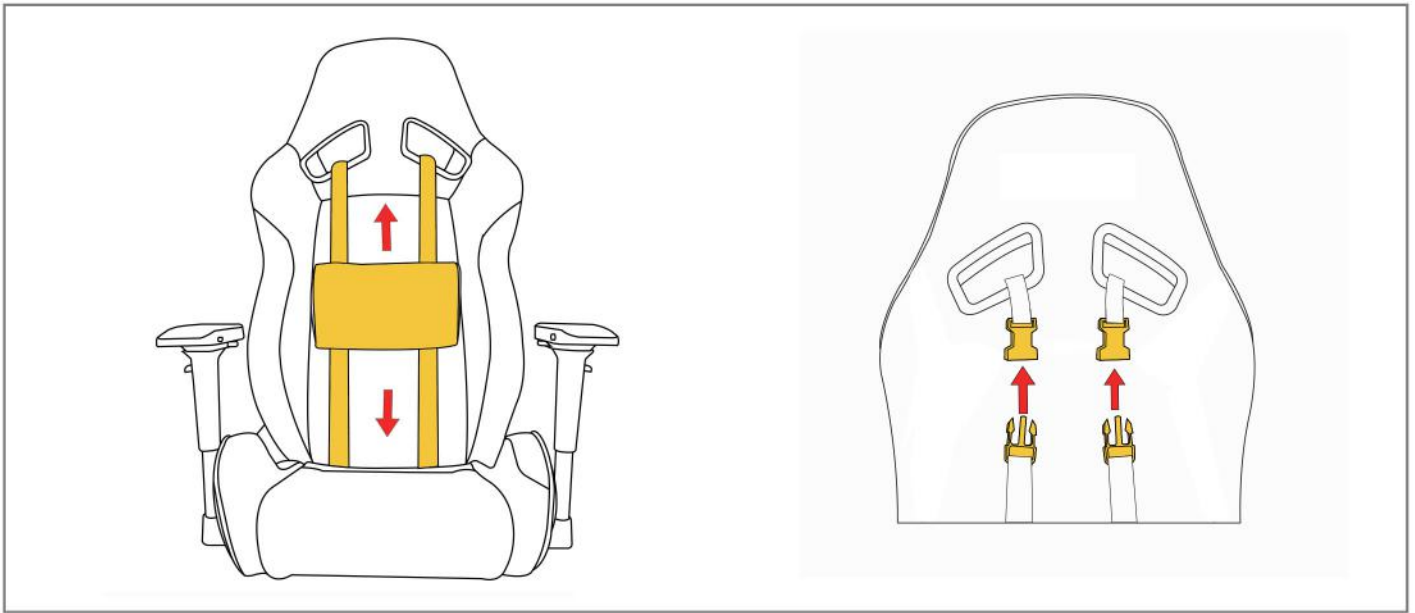
## 7 Caster wheel, Five-star base, Gas piston and Piston cover Installation

Insert the gas lift piston into the five-star base and then slide the piston cover over the gas lift.

## 8 Linking the parts

Align and connect the base and chair by inserting the gas piston into the opening on the chair mechanism according to the picture.

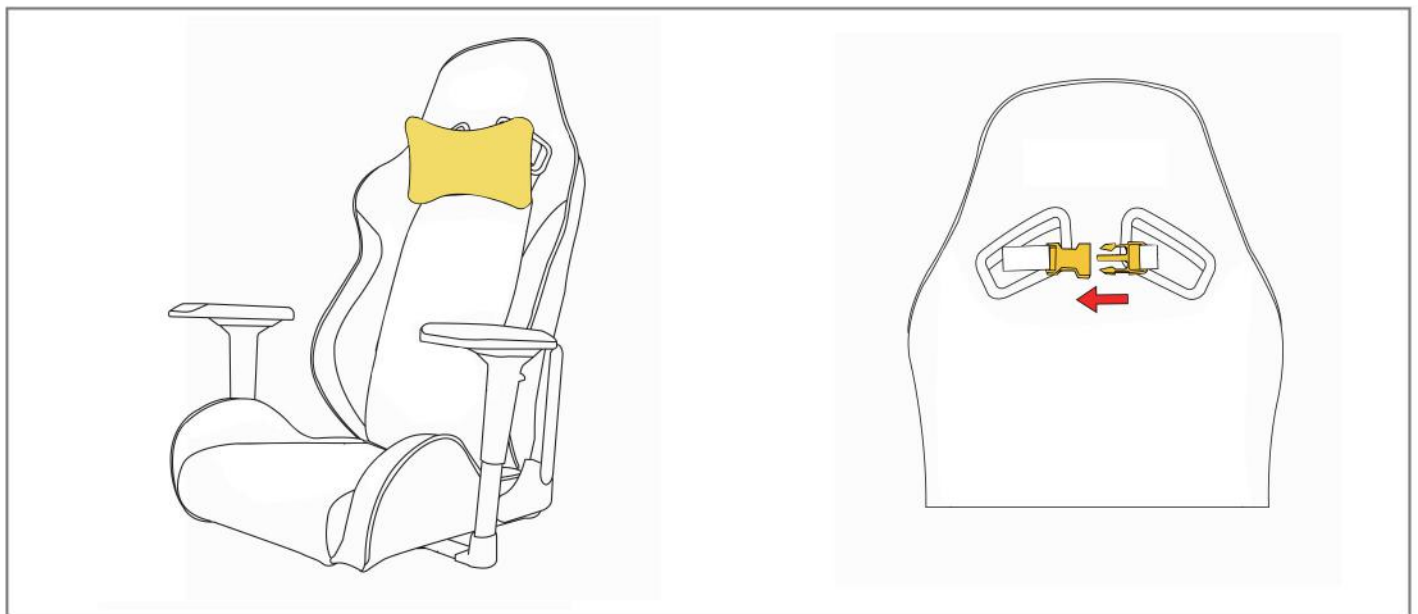




# 9

## Detachable lumbar cushion

Pull the lumbar cushion straps through the backrest openings from front to back according to the picture. Connect both buckles from the bottom and top of the backrest to secure and adjust the lumbar cushion.



# 10

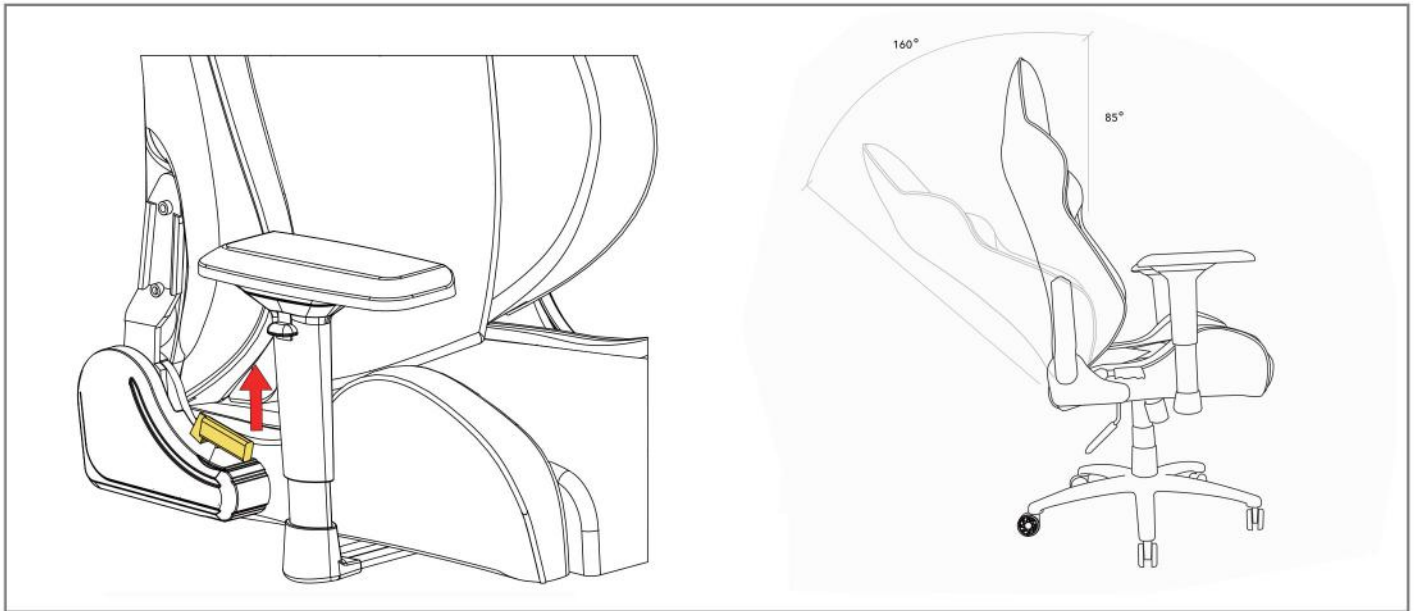
## Detachable headrest cushion

Pull the headrest cushion straps through the backrest openings according to the picture. Connect the buckle to secure the headrest cushion.



# **CHAIR ADJUSTMENT INSTRUCTIONS**

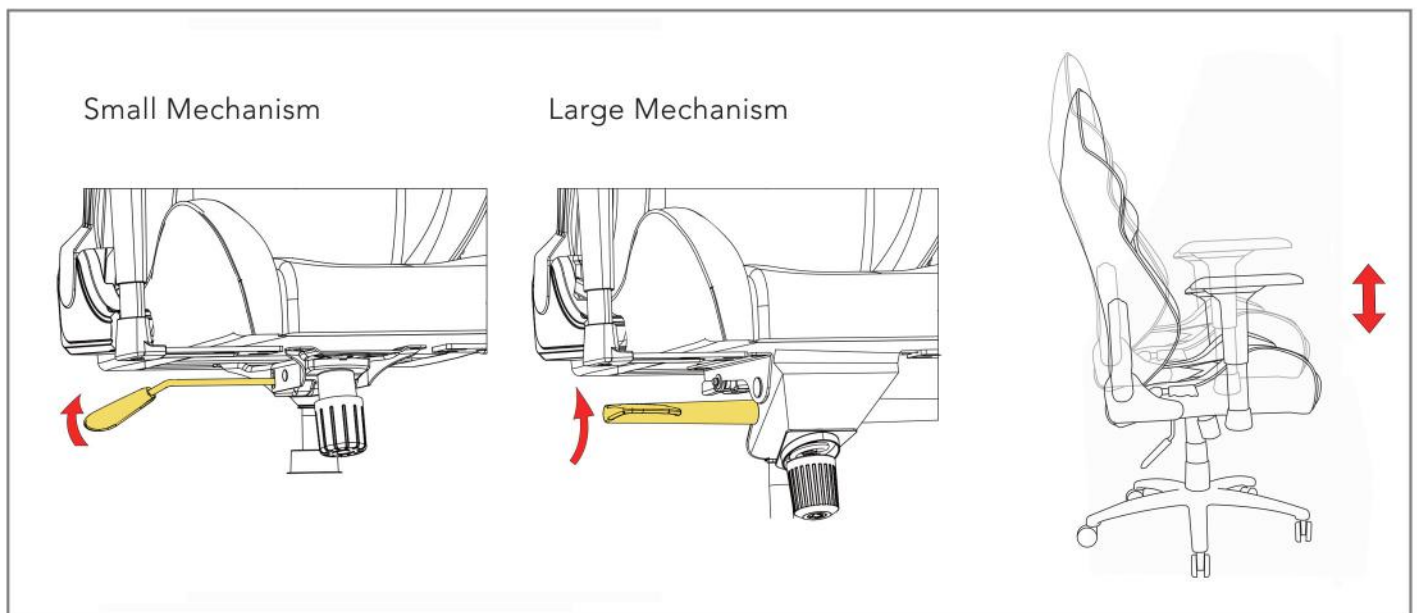
# OPERATION GUIDE



# 1

## Seat backrest adjustment

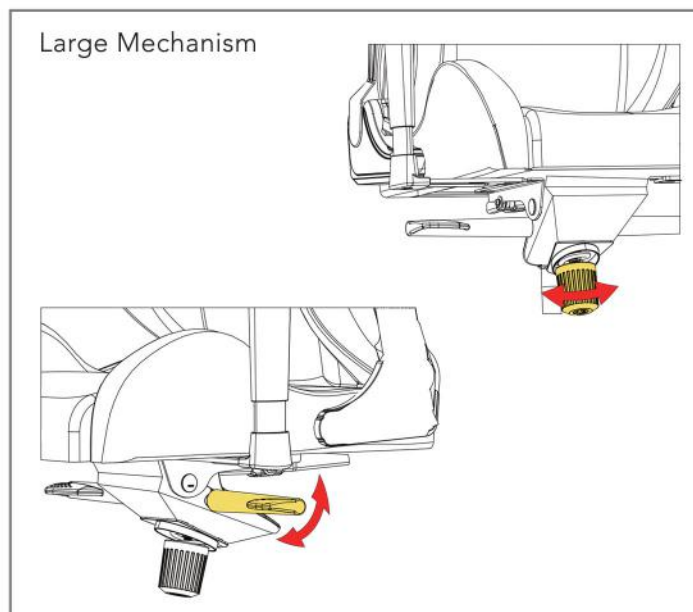
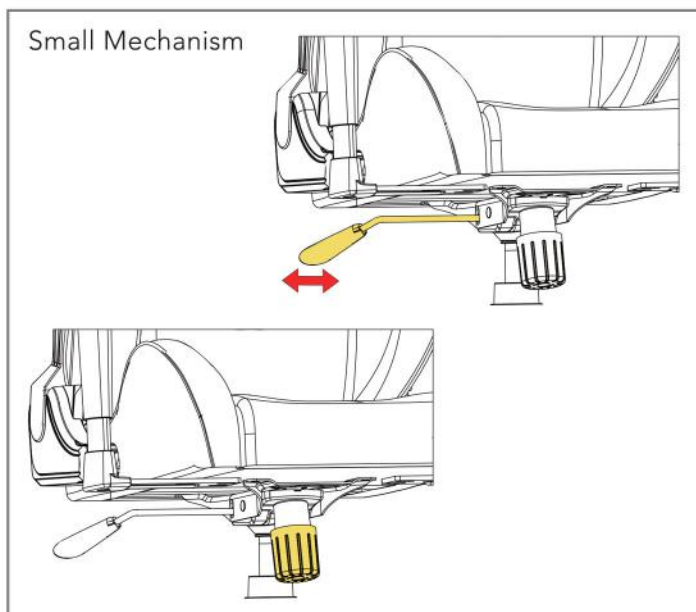
Pull the handle on the right side of the seat and lean backwards to tilt the backrest into the desired position. Lock the position by releasing the handle.



# 2

## Seat height adjustment

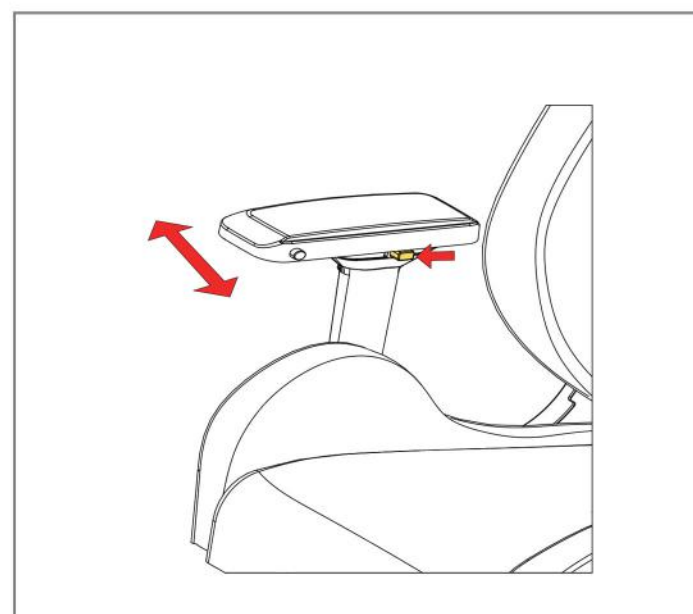
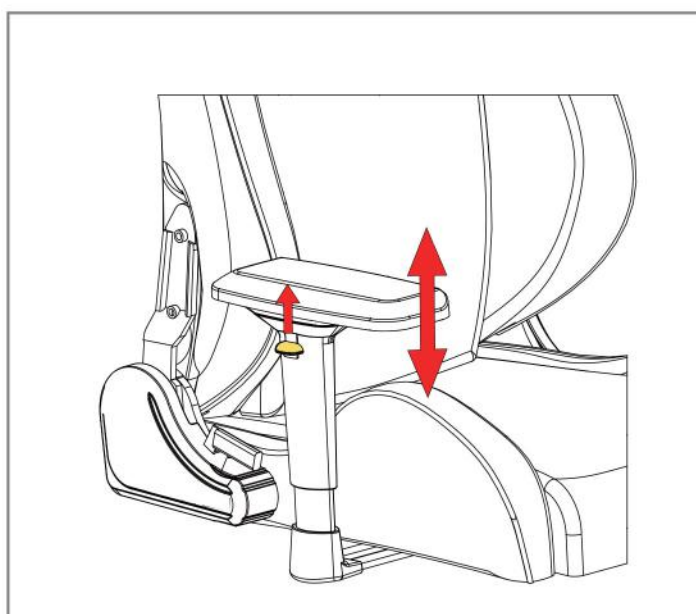
Pull up the handle underneath the right side of seat base to adjust the seat height and then lock it by releasing the handle.



**3 Rocking feature**  
On the small mechanism, pull out the handle on the right side of the seat base to enable the rocking feature.

On the large mechanism, flip the paddle on the left side of the seat base up to enable the rocking feature. To lock your position, flip the paddle back down until the desired position is reached.

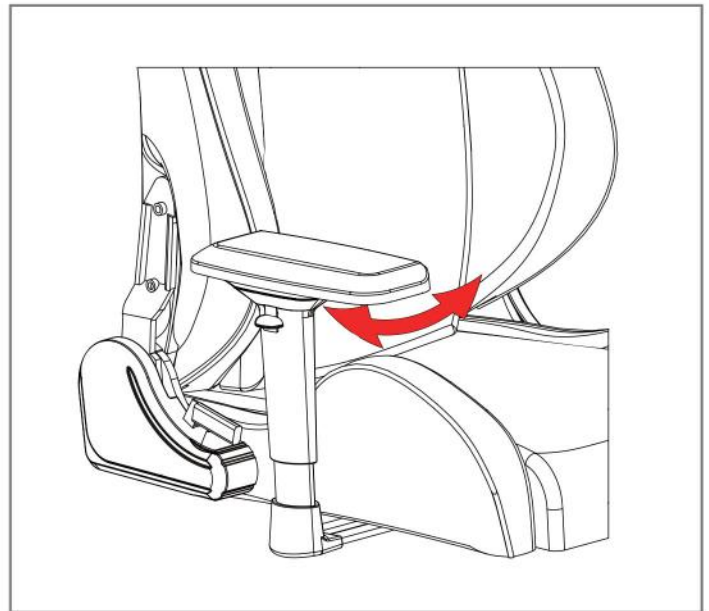
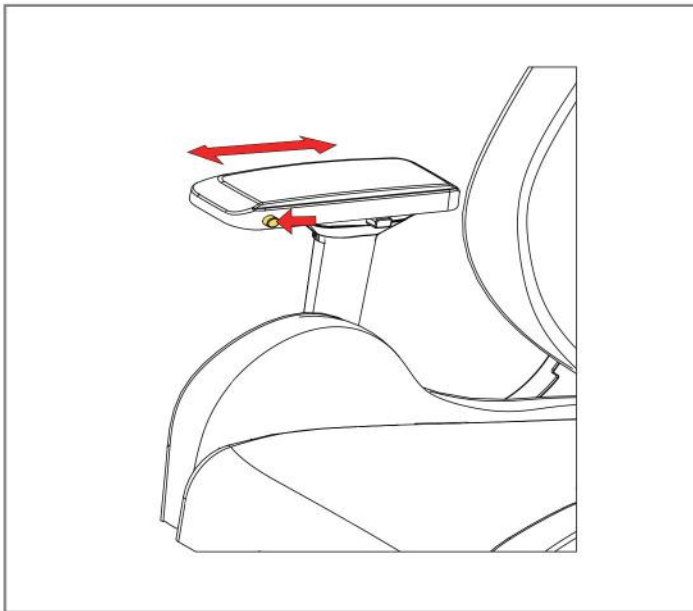
**4 Adjustment of rocking feature**  
Turn the knob underneath the seat base left and right to adjust the tension of the rocking mechanism.



**5 Vertical adjustment**  
Pull the handle up and down to the desired height. Release the handle to lock the height according to preference.

**6 Horizontal adjustment**  
Press and hold the middle button to move the armrest horizontally. Release the button to lock the position according to preference.





# 7

## Front to back adjustment

Hold the front button to move the armrest back and forth. Release the button to lock the position according to preference.

# 8

## Rotating adjustment

The armrest can be rotated inwards and outwards without the use of a button.

## SAFETY INFORMATION



The maximum user weight of the PRO and ELITE Series is up to 120kg, SPORT and XL Series is up to 150kg. The chair should only be used as shown and in a non-abusive manner. GT Omega is not liable for any damages resulting from improper assembly and usage.

**GT Omega Racing Ltd.**  
Unit C1 - GTOmega, 24 Craigmont Street,  
G20 9BT Glasgow, United Kingdom

---