



**APEX WHEEL STAND
ASSEMBLY GUIDE**



THANK YOU FOR PURCHASING A

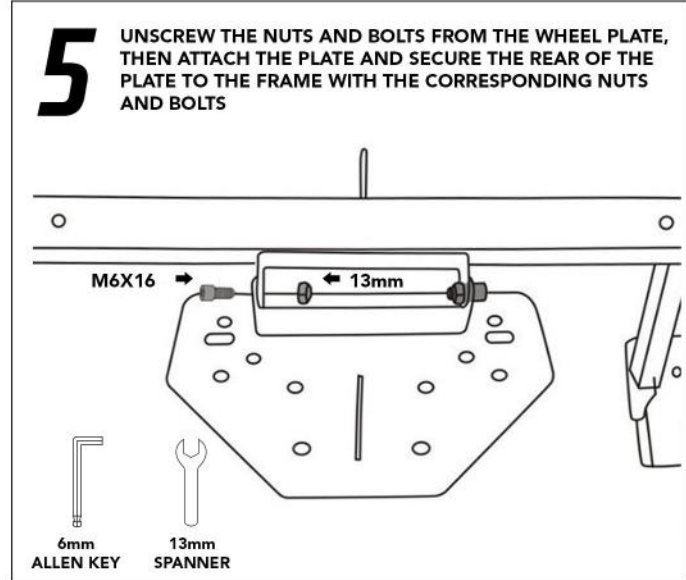
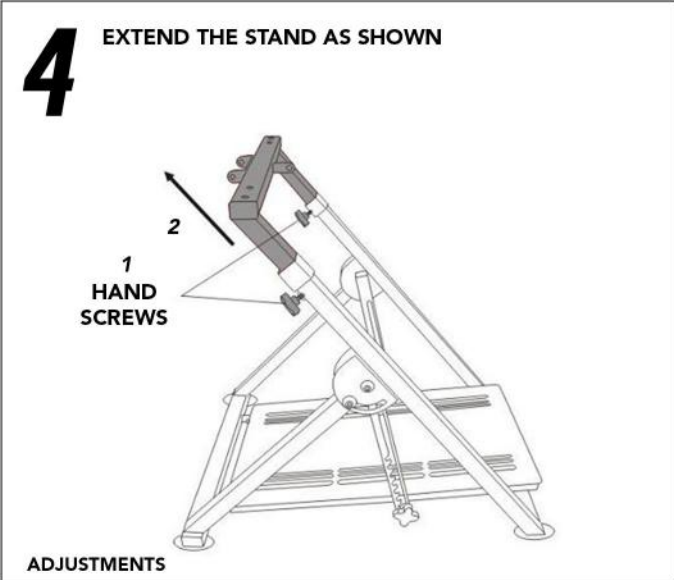
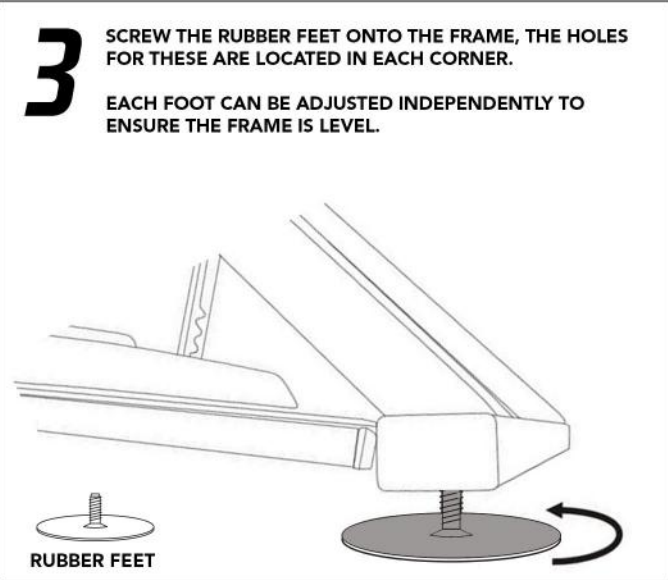
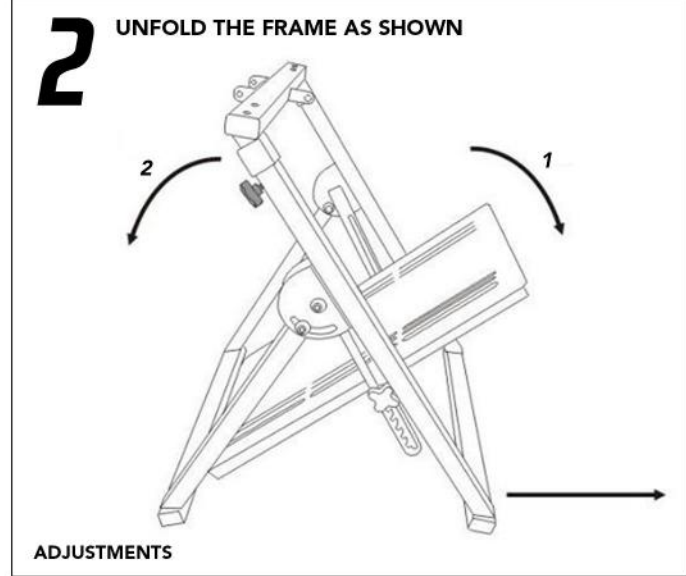
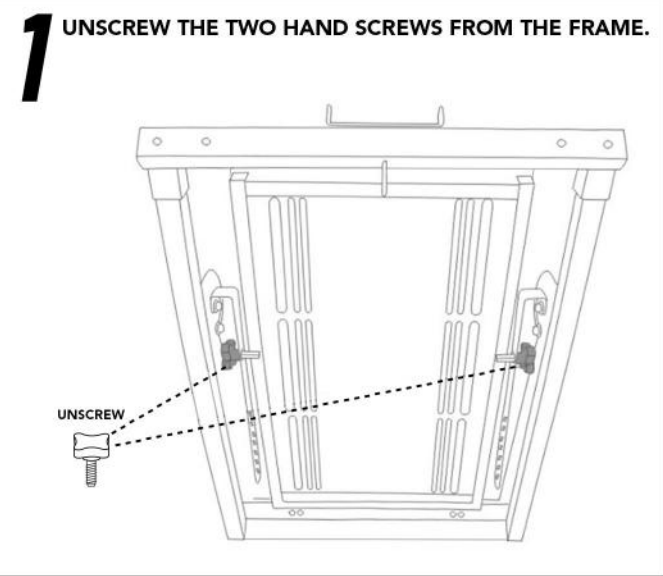
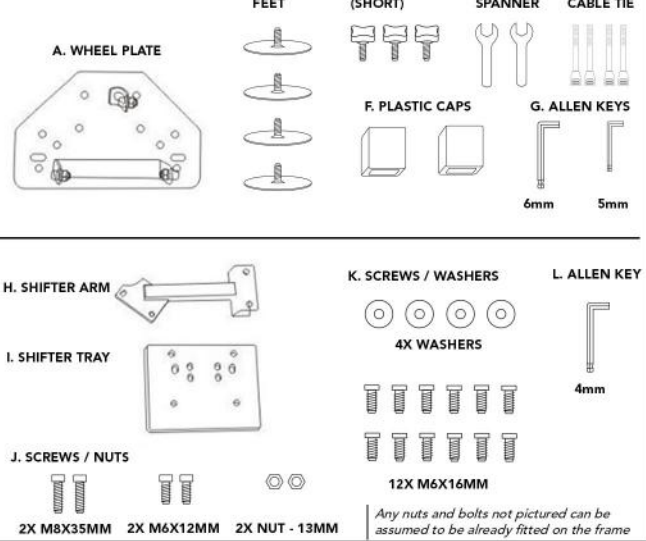


APEX WHEEL STAND

IF YOU REQUIRE ANY ASSISTANCE PLEASE
GET IN TOUCH THROUGH OUR CONTACT FORM ON:

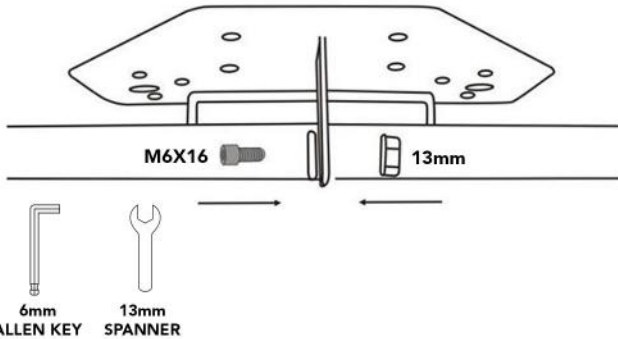
www.gtomega.com

WHAT'S IN THE BOX?

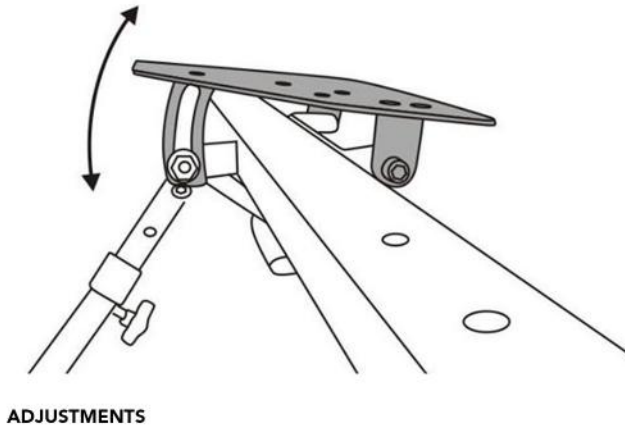


! ATTENTION: THIS PRODUCT IS MADE OF METAL, PLEASE HANDLE WITH CARE. INAPPROPRIATE USE MAY CAUSE DAMAGE TO THE USER AND PRODUCT.

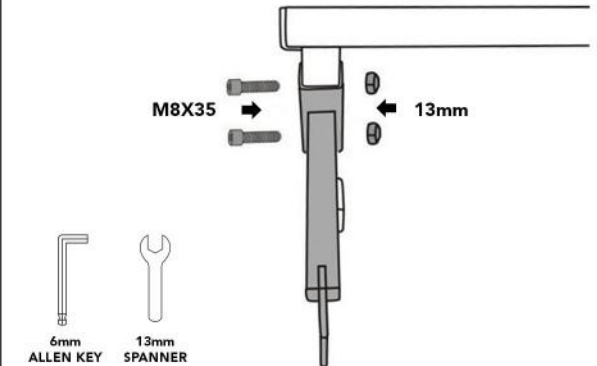
6 SECURE THE FRONT OF THE PLATE WITH THE NUT AND BOLT WHICH WAS ON THE FRONT OF THE PLATE.



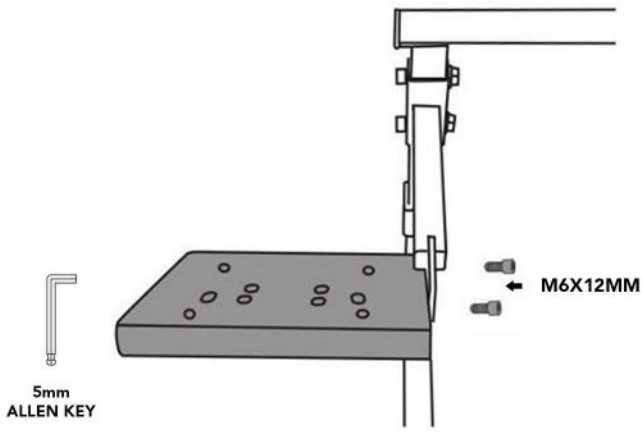
7 THE PLATE'S ANGLE CAN BE ADJUSTED TO SUIT.



8 THE GEAR MOUNT HOLDER CAN BE ATTACHED ON EITHER SIDE OF THE FRAME (LEFT HAND SIDE IS SHOWN IN THE DIAGRAM) TO SUIT THE USER'S DRIVING PREFERENCE. SECURE ONTO THE FRAME WITH M8 BOLT AND 13MM NUTS AS SHOWN.



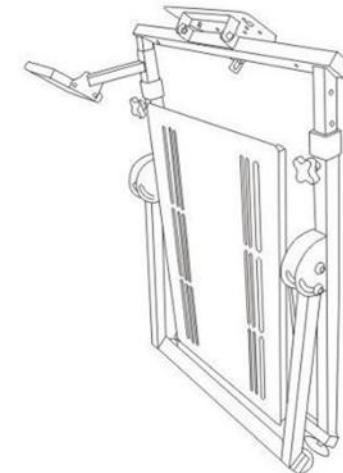
9 SECURE MOUNT ONTO ITS HOLDER AS SHOWN WITH THE M6 BOLTS, NUTS NOT REQUIRED FOR THIS STEP.



10 THE FRAME WILL LOOK LIKE THIS ONCE ASSEMBLED (WITHOUT THE WHEEL, PEDALS, OR GEAR SHIFTER)



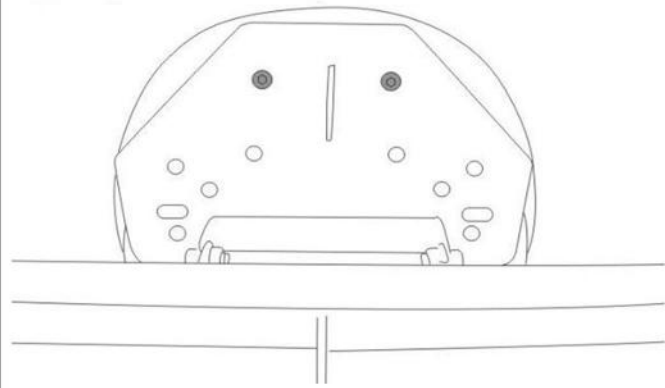
11 THE FRAME CAN BE FOLDED EVEN WHEN FULLY ASSEMBLED.



ATTENTION: THIS PRODUCT IS MADE OF METAL, PLEASE HANDLE WITH CARE. INAPPROPRIATE USE MAY CAUSE DAMAGE TO THE USER AND PRODUCT.

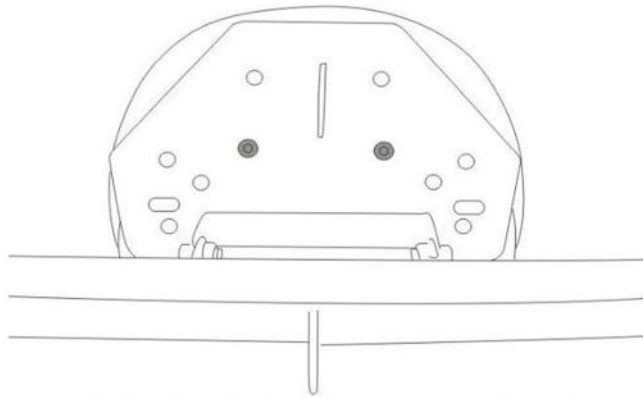
12

LOGITECH RANGE (G25/G27/G29/G920)
CAN BE FITTED AS SHOWN



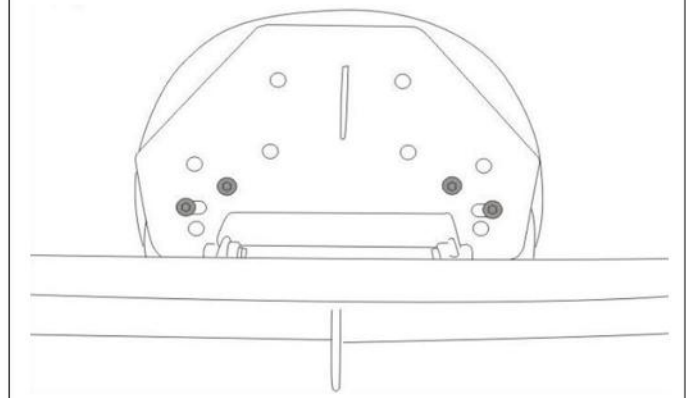
13

FANATEC CSL CAN BE FITTED AS SHOWN



14

THRUSTMASTER AND MADCATZ
CAN BE FITTED AS SHOWN



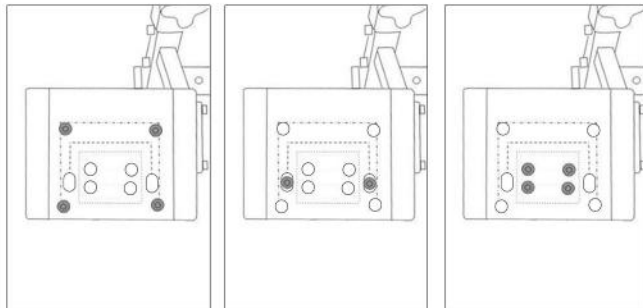
15

GEAR MOUNT

FANATEC SQ

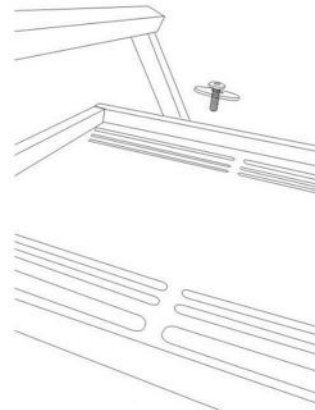
G25/G27/G29/G920

THRUSTMASTER TH8A



16

THE PEDALS CAN BE ATTACHED WITH THE
M6 BOLT AND WASHERS AS SHOWN



17

UNDERSIDE OF PEDAL MOUNT,
PEDAL MOUNTING POINTS

