

# Trampoline Ladder

## Assembly Instruction

### Warning:

This product should be assembled by adults.

Diagram 1

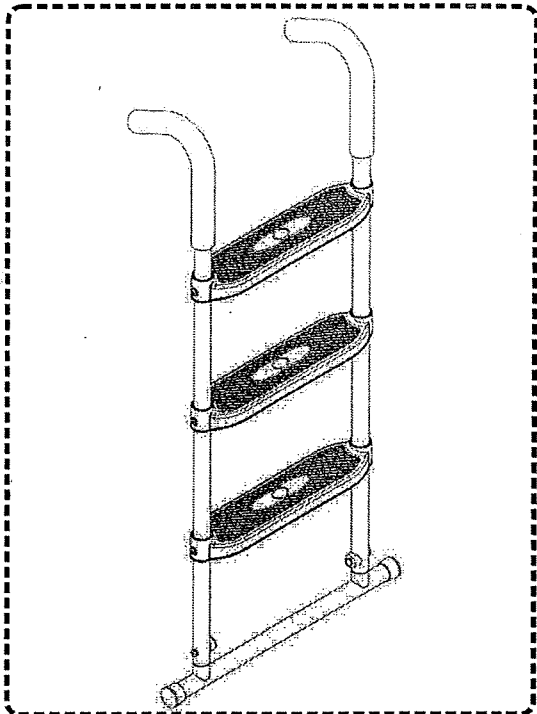
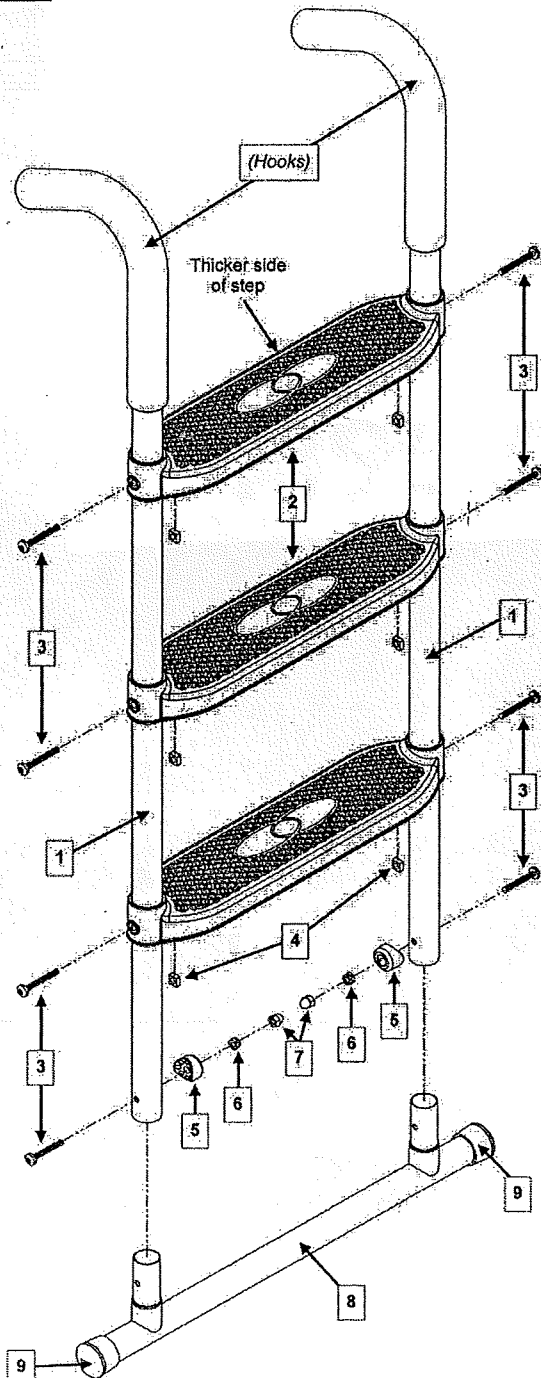
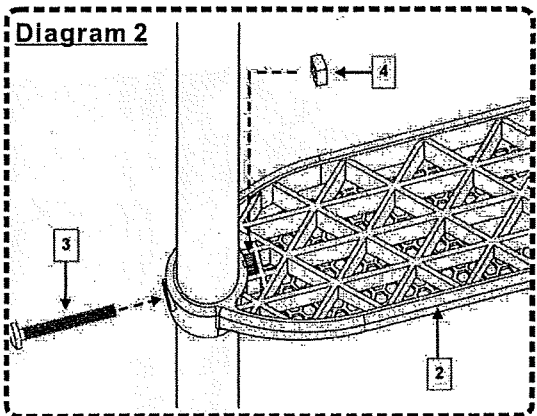


Diagram 2



(Under side of step, showing square nut location)

Reference #	Description	Quantity
1	Vertical side piece	2
2	Step	3
3	M6 bolt	8
4	Square nut	6
5	Bolt cover	2
6	Nylock nut	2
7	Acorn nut	2
8	Horizontal base	1
9	Cap (pre-installed on horizontal base)	2