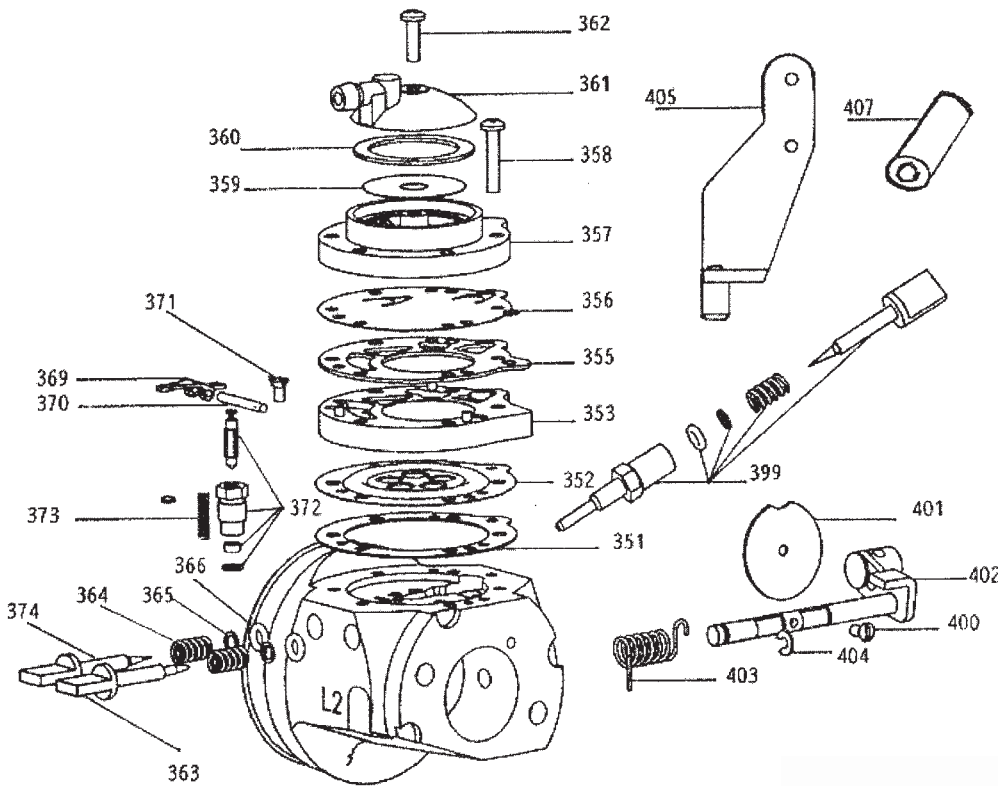


Optional carburetor for: TM K11B
Parilla Dragon



SPECIAL SHAFT - Assembly:

First No.1 next to No.2 Shutter attach with No.3 Screw with a little bit of Loctite. Draw in the screw only a little bit. Next, attach No.4 to No.2 Shutter with No.5 Screw with a little bit of Loctite and draw in strong. Now draw in No.3 Screw strong.

FIG	PART NUMBER	DESCRIPTION
351	351	Diaphragm Gasket
352	352	Diaphragm
353	353	Diaphragm Cover
355	355	Fuel Pump Gasket
356	356	Fuel Pump Diaphragm brown
356/1	356/1	Fuel Pump Diaphragm transparent
357	357	Fuel Pump Body
358	358	Fuel Pump Screw
359	359	Fuel Strainer Screen
360	360	Fuel Strainer Cover Gasket
361	361	Fuel Strainer Cover
362	362	Fuel Strainer Cover Ret. Screw
363	363	Idle Mixture Screw L.
364	364	Idle Mixture Screw Spring
365	365	Idle Mixture Screw Washer
366	366	Idle Mixture Screw Packing
369	369	Inlet Control Lever

FIG	PART NUMBER	DESCRIPTION
370	370	Inlet Control Lever Fulcrum
371	371	Inlet Control Lever Screw
372	372	Inlet Needle Seat & Gasket
372/1	372/1	Inlet Needle only
372/2	372/2	Rubber for Inlet Needle Seat
372/3	372/3	Copper Washer for Needle Seat
373	373	Inlet Tension Spring 5/6/6,5/7 gr.
374	374	High Speed Mixture Screw H
400	400	Screw for Butterfly
401	401	Shutter L6 / L9
402	402	Shaft
402/1	402/1	Special shaft with shutter L6/L9
402/3	402/3	Special shaft with shutter L4
403	403	Spring for Shaft
404	404	Shaft Clip
406	406	Support for Cable L4 / L6 / L9
407	407	Special nut M6
408	408	Kit Membrane
409	409	Kit complete
Special Shaft Assembly		
	402/1	IBEA Special Shaft Assembly