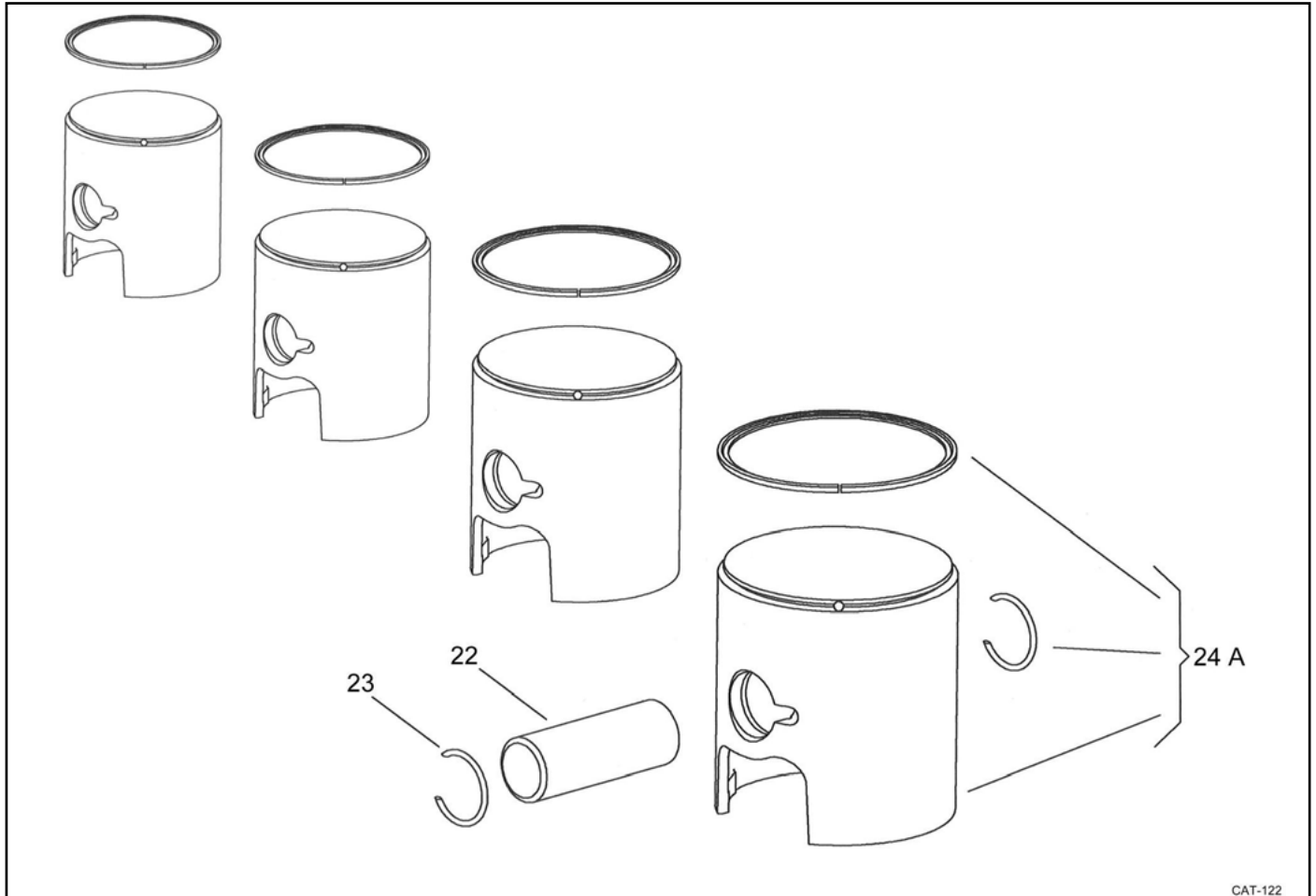
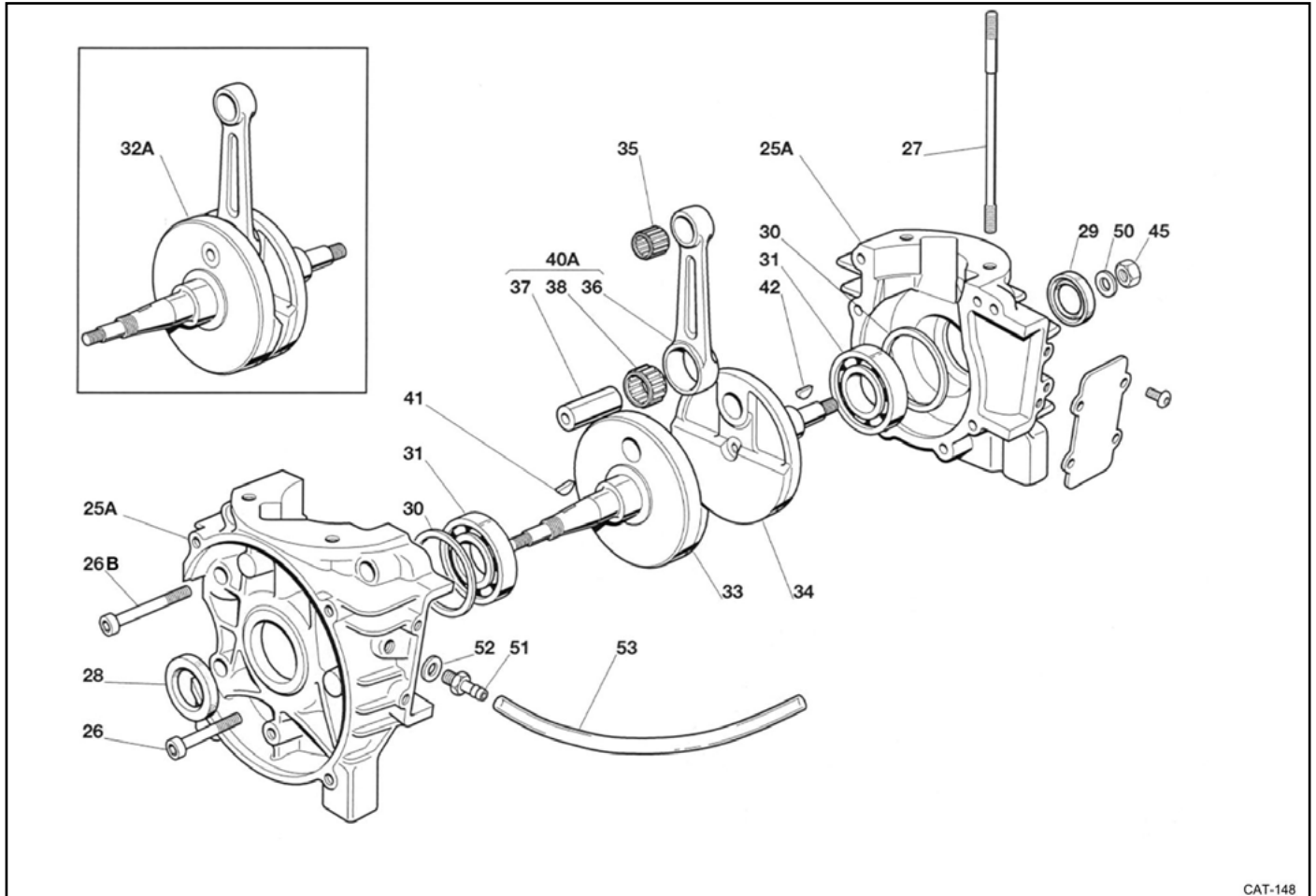


Ref	Part Number	Dim	Description
1	A-60040		Cylinder HEAD
1	A-60041		Cylinder HEAD
2	.00352	M8	Head NUT
3	.00303	M8	Head nut WASHER
11	EBP-85045	4/10	Cylinder GASKET
11	EBP-85046	2/10	Cylinder GASKET
13A	A-60030		Complete CYLINDER
13A	A-60031		Complete CYLINDER
14	A-60010		Cylinder BARREL
14	A-60011		Cylinder BARREL
15	A-60020		Iron LINER
15	A-60021		Iron LINER



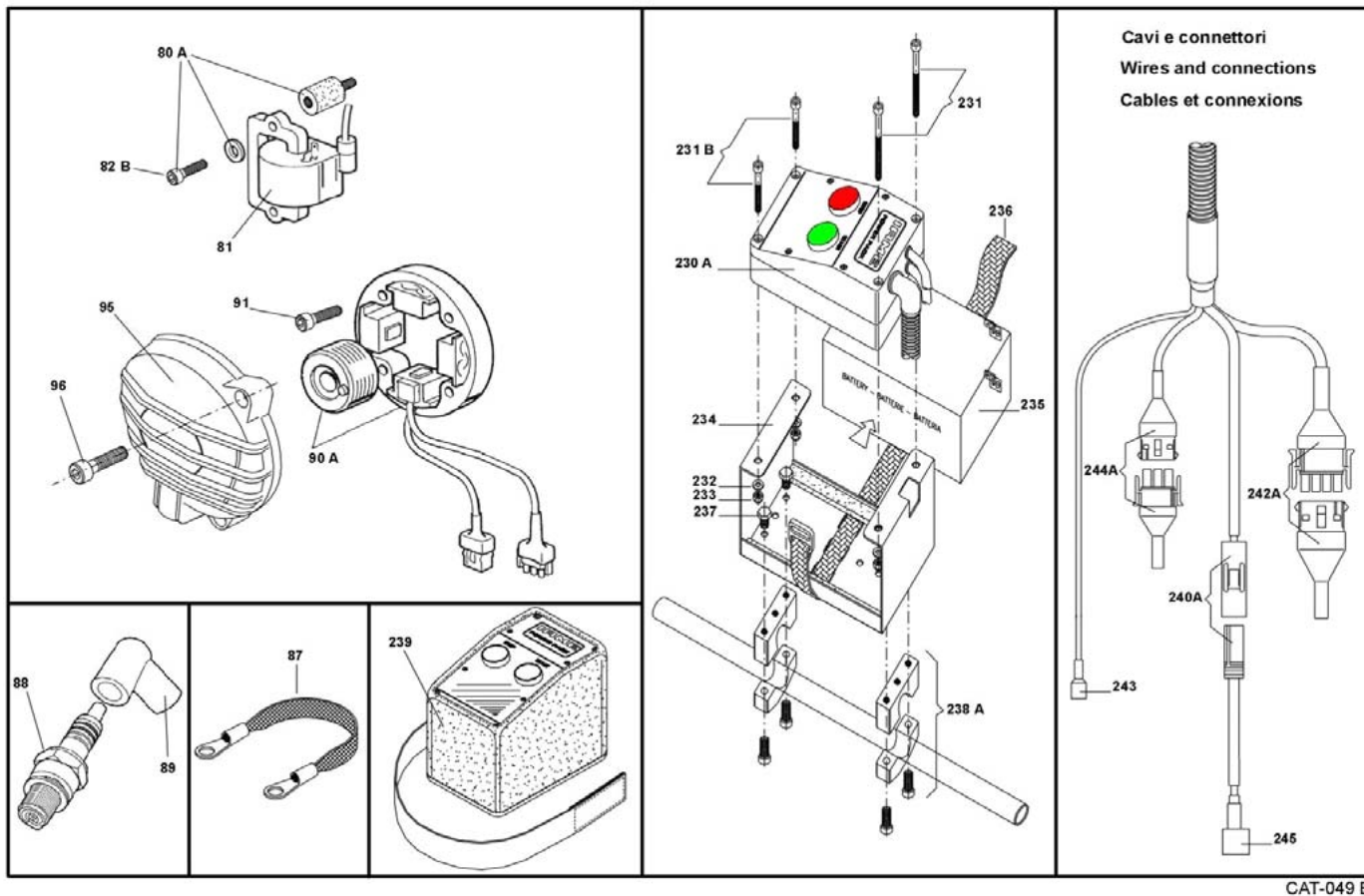
CAT-122

Ref	Part Number	Dim	Description
22	A-60320	14x39	Piston PIN
23	10342	12x1	CIRCLIP
24A	A-60050-CV	41,80 v	Complete green PISTON
24A	A-60050-CR	41,80 r	Complete red PISTON
24A	A-60055-CV	41,82 v	Complete green PISTON
24A	A-60055-CR	41,82 r	Complete red PISTON
24A	A-60060-CV	41,84 v	Complete green PISTON
24A	A-60060-CR	41,84 r	Complete red PISTON
24A	A-60065-CV	41,86 v	Complete green PISTON
24A	A-60065-CR	41,86 r	Complete red PISTON
24A	A-60070-CV	41,88 v	Complete green PISTON
24A	A-60070-CR	41,88 r	Complete red PISTON
24A	A-60075-CV	41,90 v	Complete green PISTON
24A	A-60075-CR	41,90 r	Complete red PISTON
24A	A-60080-CV	41,92 v	Complete green PISTON
24A	A-60080-CR	41,92 r	Complete red PISTON
24A	A-60085-CV	41,94 v	Complete green PISTON
24A	A-60085-CR	41,94 r	Complete red PISTON
24A	A-60090-CV	41,96 v	Complete green PISTON
24A	A-60090-CR	41,96 r	Complete red PISTON
24A	A-60095-CV	41,98 v	Complete green PISTON
24A	A-60095-CR	41,98 r	Complete red PISTON



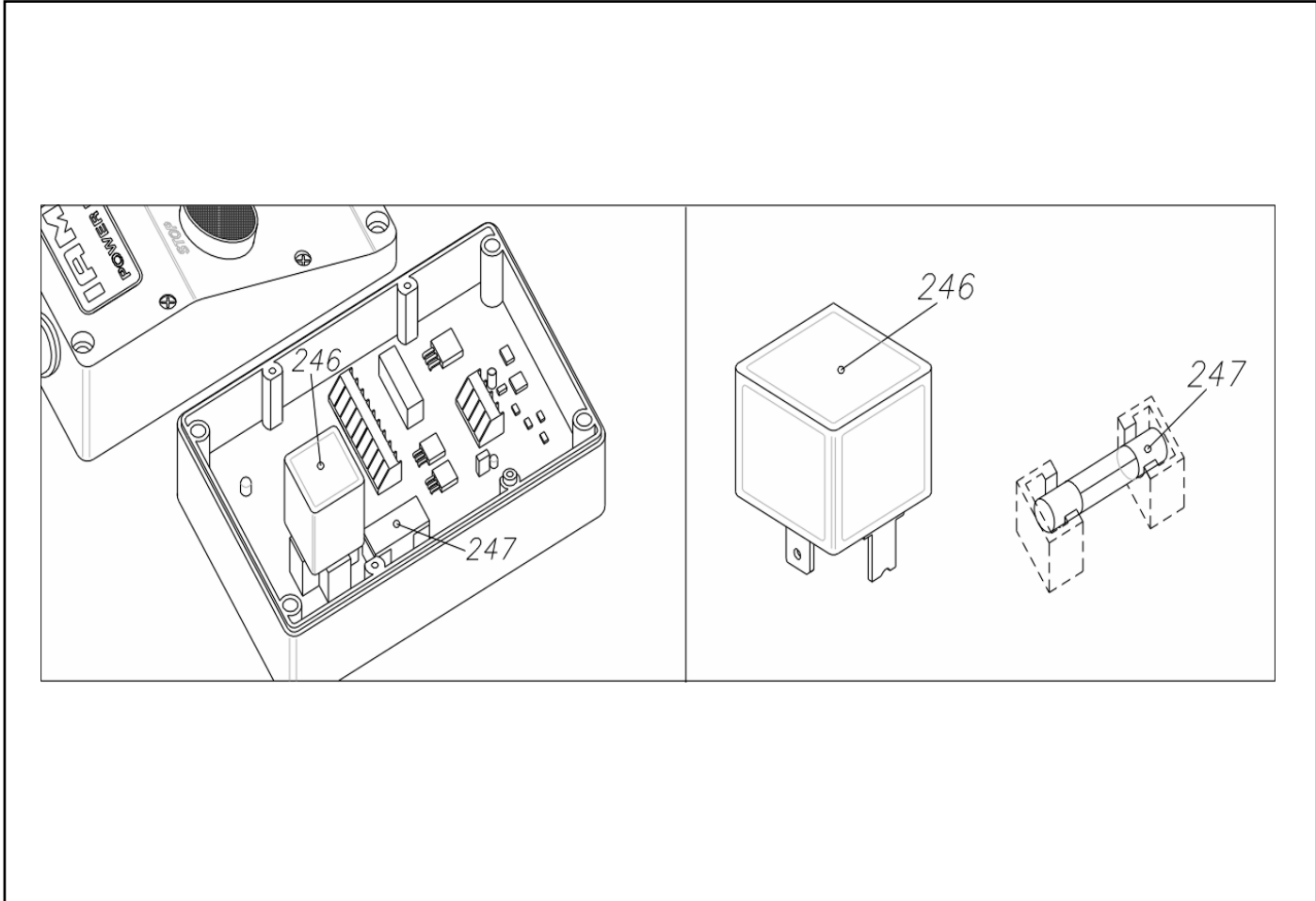
CAT-148

Ref	Part Number	Dim	Description
25A	A-60485		Complete CRANKCASE
26	.00049	M6x45	Crankcase SCREW
26B	.00051	M6x55	Crankcase SCREW
27	A-60345	8x125	Cylinder TIE-ROD
28	F-10425	20x35x7 TCJW	Drive side OIL SEAL
29	F-10425	20x35x7 TCJW	Magneto side OIL SEAL
30	10407	0,1mm	Steel SHIM
30	10409	0,15mm	Steel SHIM
31	10400-A	NSK	BALL BEARING 6204 C4
32A	A-60615		Complete CRANKSHAFT
33	A-60385		Drive s.HALF CRANKSHAFT
34	A-60390		Magn.s.HALF CRANKSHAFT
35	A-60440	12x16x16	Small end CAGE
36	A-60455	96mm.	CONROD
37	A-60450	18x40 mm.	CRANKPIN
38	B-10431	18x24x15	Big end CAGE 15 R
40A	A-60455-40	96mm.	Complete selected CONROD
41	11715	10x3,7x3	Sprocket KEY
42	10375	10x3,7x2,5	Magneto KEY
45	.00380	M8	Magneto NUT
50	.00340	M8	WASHER
51	D-95800		Pressure FITTING
52	B-71805		Pressure fitting GASKET
53	B-71810		Pressure fitting TUBE

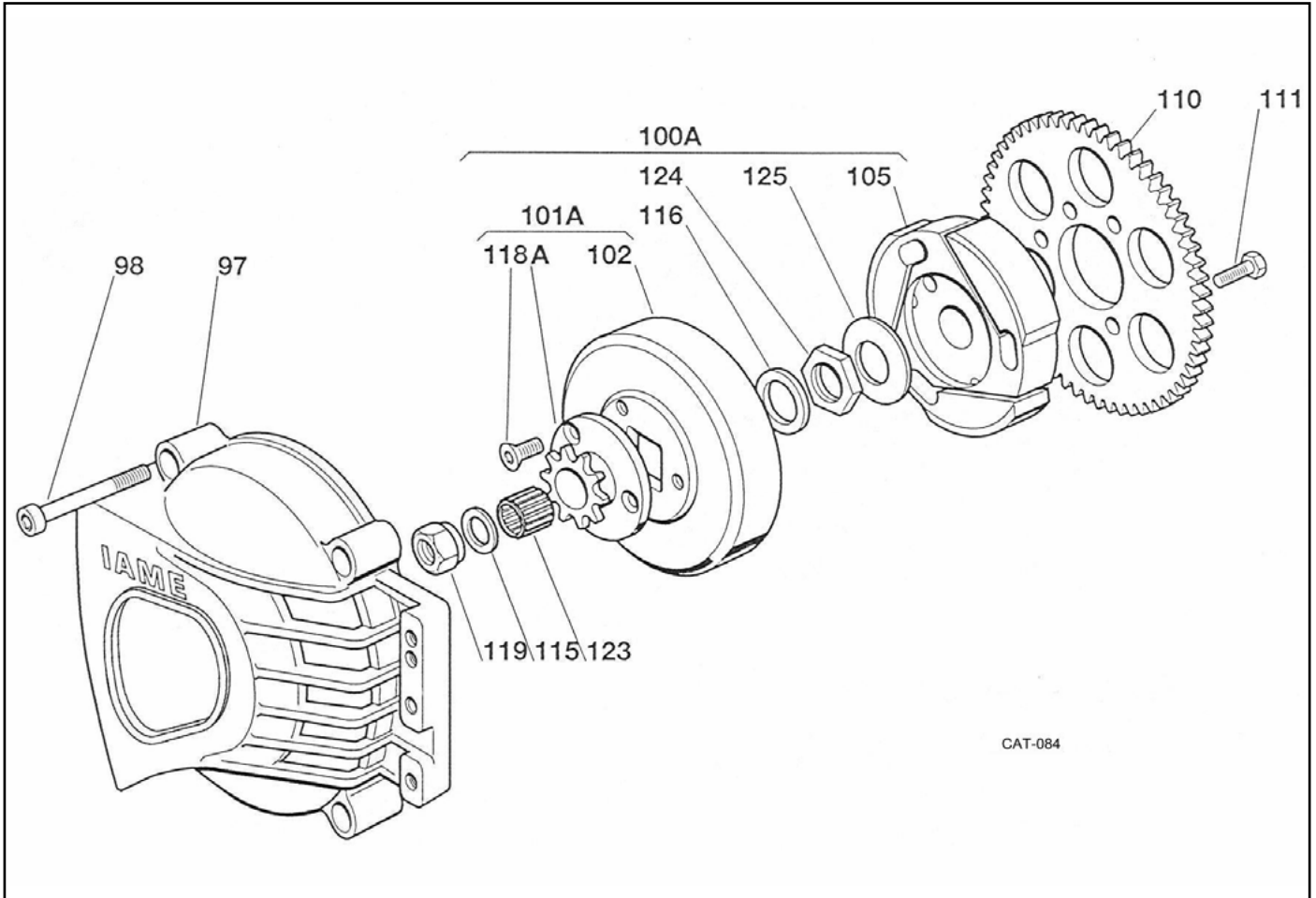
ACCENSIONE E IMPIANTO ELETTRONICO-IGNITION AND ELECTRONIC DEVICE-ALLUMAGE ET EQUIPEMENT ELECTRONIQUE


CAT-049 B

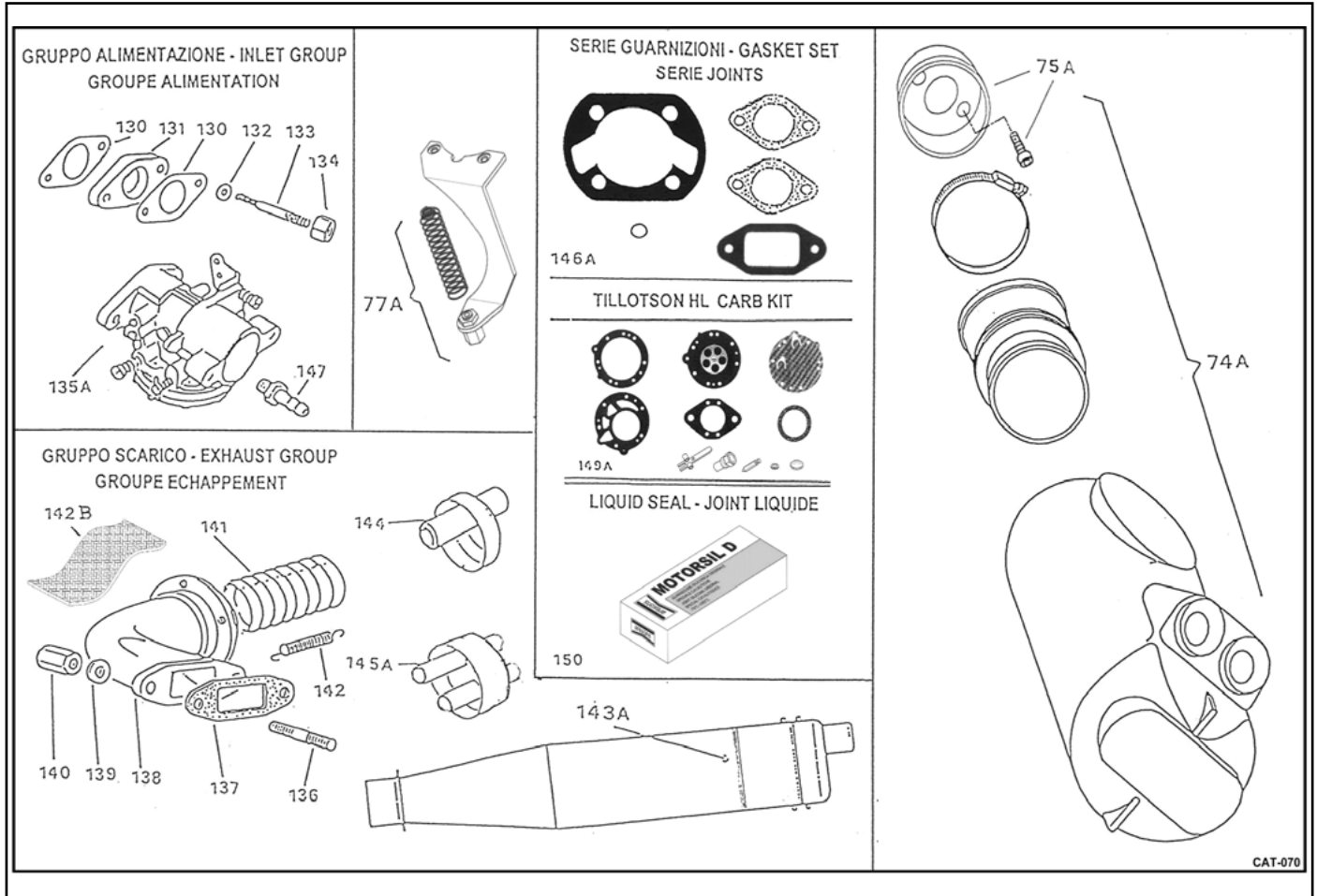
Ref	Part Number	Dim	Description
80A	A-60520-C		Sel. coil DAMPENER KIT w/screws
81	10025		Selettra COIL
82B	.00031	M5x16	Selettra coil SCREW
87	B-35805-A		Coil ground CABLE
88	10561-A		SPARK PLUG NGK BR10EG
89	10541		Rubber CAP
90A	10015A	4 poli	Selettra IGNITION, n.t.
91	.00034	M5x25	Selettra ignition SCREW
95	A-60875B		Plastic ignition COVER
96	.00043	M6x18	Ignition cover SCREW
230A	A-60930D-C		POWER PACK with wires 2003
231	.00028	M5x60	Fixing power pack SCREW
231B	.00039	M5x40	Fixing power pack SCREW
232	.00301	M5	WASHER
233	.00376	M5	Loocker NUT
234	A-120905B	7,2Ah	Battery SUPPORT
234	A-60905A	4Ah	Battery SUPPORT
235	A-120900	FG20722	12Volt 7,2Ah BATTERY
235	A-60900	FG20401	12Volt 4Ah BATTERY
236	A-60904A		Fixing STRIPE for battery
237	.00159	M6x10	Support Battery SCREW
238A	A-60906-C	28 mm	Support battery CLAMP w/ screws
239	A-60960		Water-proof power-pack COVER
240A	A-60919-C		Elec.starter CONNECTION w/cable
242A	A-60937-C		Compl.ignition CONNECTION
243	A-60938		H.T.Coil CONNECTION
244A	A-60939-C		Compl. CONNECTION Pick-up
245	A-60940		Electric starter CONNECTION



Ref	Part Number	Dim	Description
246	A-60941A		Voltmeter RELAY
247	A-60942		Fusible CUT-OUT



Ref	Part Number	Dim	Description
97	A-60595B		Clutch GUARD/02
98	.00048	M6x40	Guard SCREW
100A	A-60840-C		CLUTCH GROUPE Z10
100A	A-60841-C		CLUTCH GROUPE Z11
101A	A-60550-C		Complete DRUM Z10
101A	A-60551-C		Complete DRUM Z11
102	A-60550		DRUM
105	A-60840		Padded HUB
110	A-60830	Z66	Starter driver WHEEL
111	.00161	M6x12	Starter wheel SCREW
115	D-75573		External WASHER
116	D-75565	1,8 mm	Thrust internal WASHER
118A	D-75554-C		SPROCKET z10 w/screws
118A	D-75555-C		SPROCKET z11 w/screws
119	D-75570		Starter NUT
123	D-75598		Clutch Roller CAGE
124	A-60560		Locking NUT
125	D-75563		WASHER, coned safety



74ARef	Part Number	Dim	Description
74A	10746-C	carb.HL352A	Compl.INTAKE SILENCER
74A	10741-C	carb.HL334B	Compl.INTAKE SILENCER
75A	A-60726-C	carb.HL352A	PIPE fitting w/ screws
75A	10771-C	carb.HL334B	PIPE fitting w/ screws
77A	B-35520-C		Accelerator cable DEVICE
130	B-71822		Carburetor GASKET
131	A-60819A	carb.HL352A	Nylon SPACER
131	A-60819	carb.HL334B	Nylon SPACER
132	.00302	M6	Studbolt nut WASHER
133	10358	M6x34	Fix.carburetor STUDBOLT
134	0.00351	M6	Studbolt NUT
135A	10913-A	16 mm.	Tillot. HL352A CARBURETOR
135A	10917	19,8 mm.	Tillot. HL334B CARBURETOR
136	10358	M6x34	Exhaust STUDBOLT
137	A-60360		Exhaust pipe GASKET
138	A-60368		Exhaust PIPE w/out reducer
138	A-60369		Exhaust PIPE w/reducer
139	.00302	M6	Exhaust nut WASHER
140	10660	M6	Exhaust NUT
141	10709	D. 32mm.	FLEXIBLE L. 7 cm.
142B	A-60735		Fiber STRIP for flex
142	10785	L=55 mm	Exhaust SPRING
143A	A-60715-C		Gazelle MUFLER DMSB
143A	A-60715		Gazelle MUFLER w/out ADAC
144	A-60720		Gazelle SILENCER END
145A	A-60730-C		DMSB / CH EXTENSION

GRUPPO ALIMENTAZIONE - INLET GROUP
GROUPE ALIMENTATION

SERIE GUARNIZIONI - GASKET SET
SERIE JOINTS

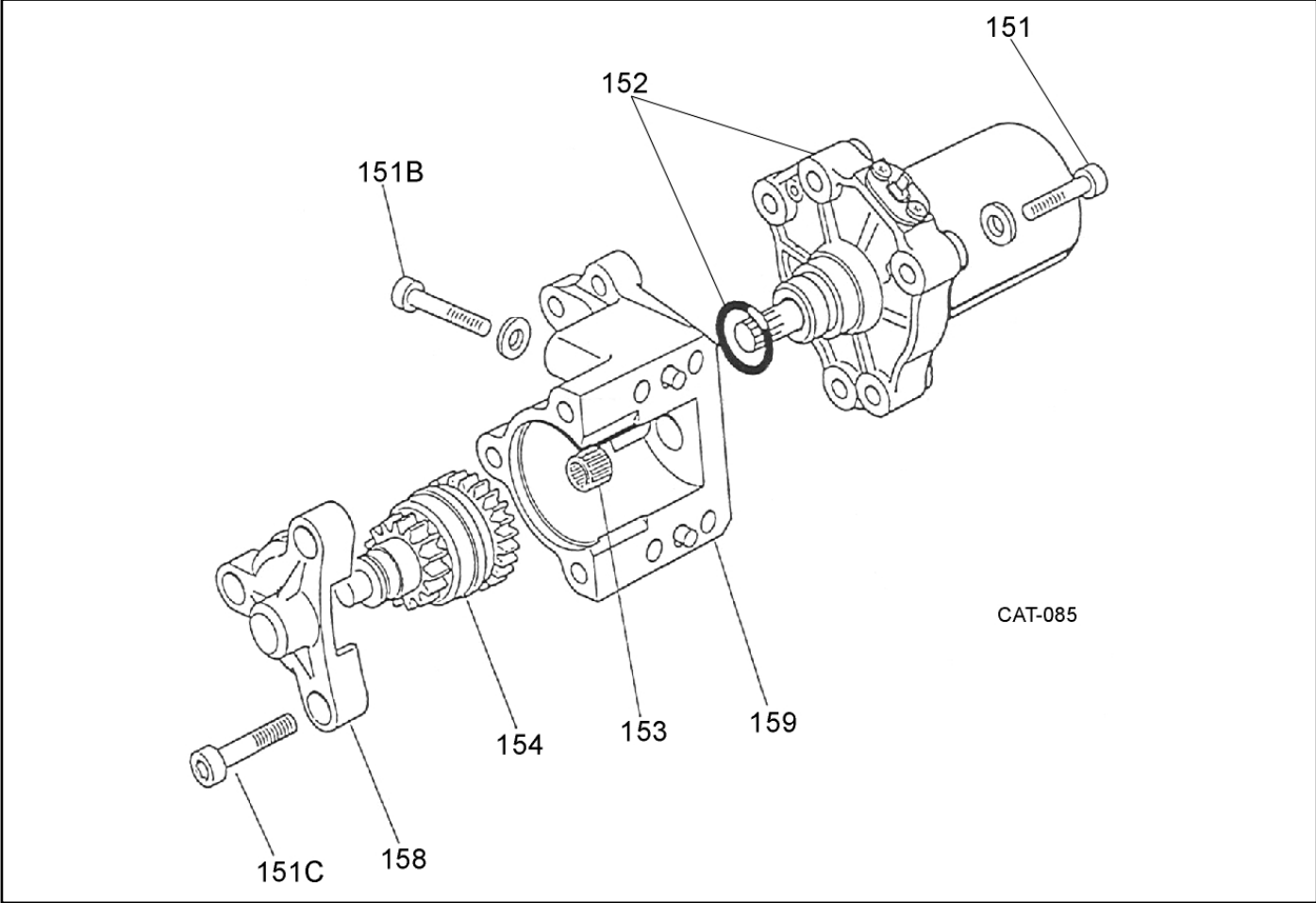
TILLOTSON HL CARB KIT

LIQUID SEAL - JOINT LIQUIDE

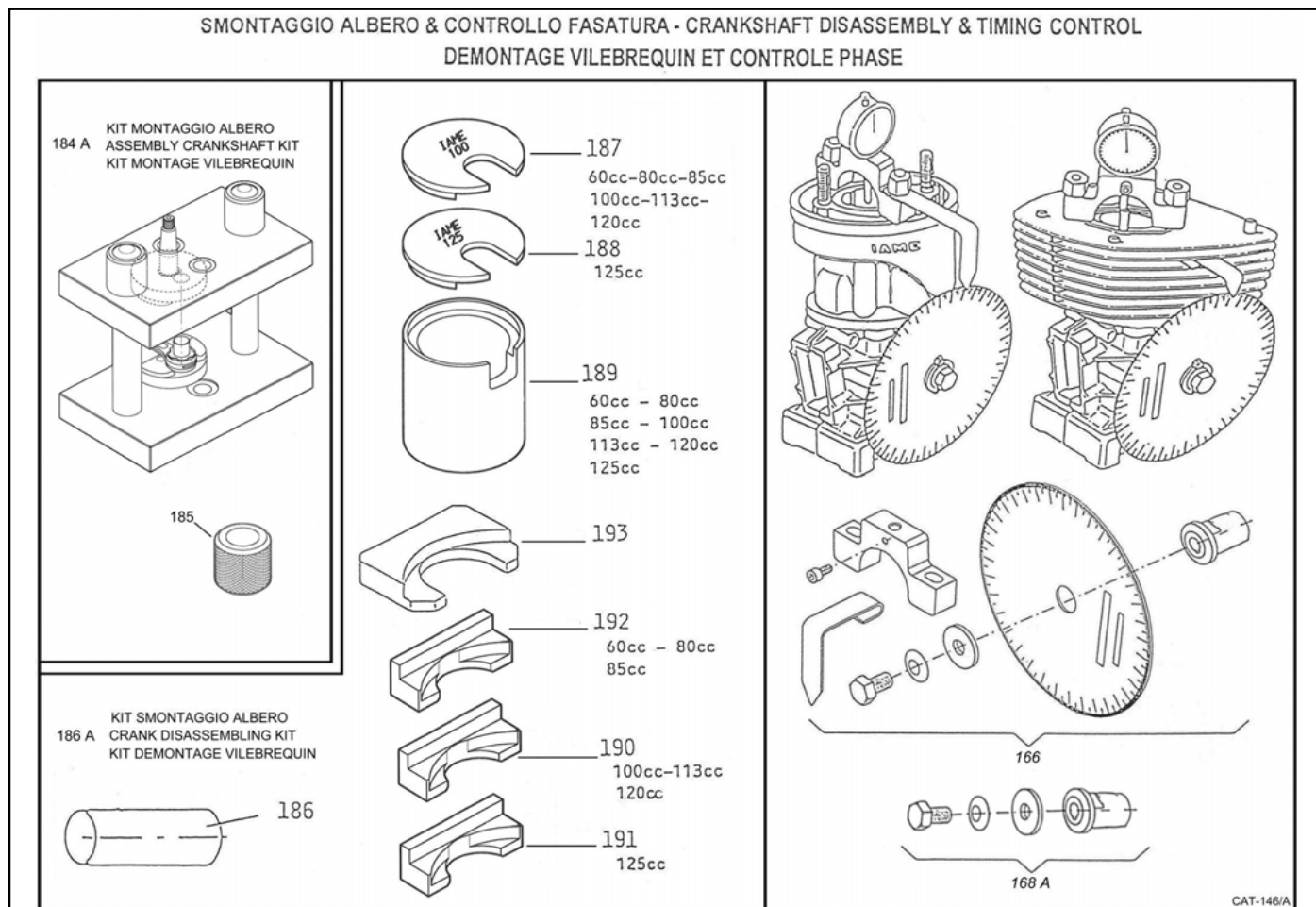
GRUPPO SCARICO - EXHAUST GROUP
GROUPE ECHAPPEMENT

CAT-070

Ref	Part Number	Dim	Description
146A	A-60990		Gaskets SET
147	EBP-85801A		Carb.pressure FITTING
149A	10929	carb.HL352A	KIT for Tillotson carburetor
149A	10926	carb.HL334B	KIT for Tillotson carburetor
150	.00602		Liquid GASKET



Ref	Part Number	Dim	Description
151	.00042	M6x16	Fixing starter SCREW
151B	.00049	M6x45	Fixing Starter support SCREW
151C	.00044	M6x20	Countershaft support SCREW
152	A-60850		STARTER
153	A-60865	HK0810	Roller CAGE
154	A-60855		COUNTERSHAFT
158	A-60870		Countershaft SUPPORT
159	A-60860		Starter SUPPORT

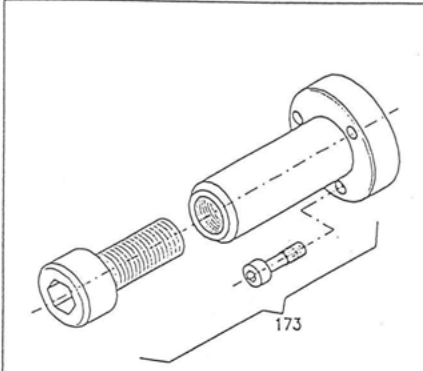
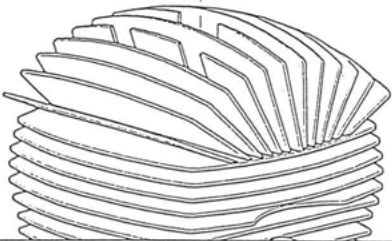
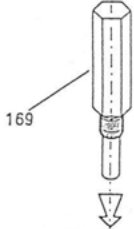


Ref	Part Number	Dim	Description
166	10822		Selettra-TaG timing group
168A	10827A-C		TaG complete timing group adapter
184A	10110-C	60cc	Assembly crankshaft KIT
185	10150		Crank-pin BUSH
186A	10100-C3	60cc	Crank disassembling KIT
186	10107		Crank-pin PULLER
187	10103	60cc	Crankshaft PLATE
189	10100	60cc	Disassembling TOOL
192	10108	60cc	Crankshaft INSERT

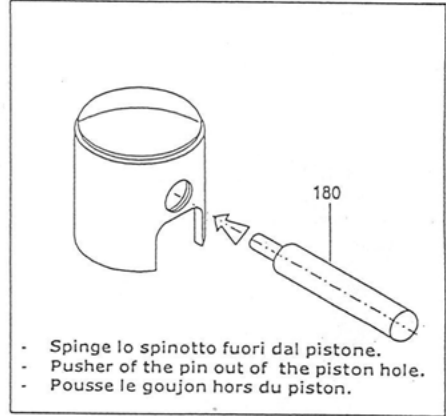


ESTRATTORI & ATTREZZI - PULLERS & TOOLS - EXTRACTEURS & OUTILS

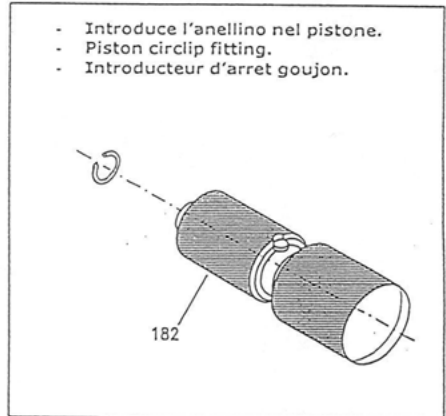
- Blocca il pistone al Punto Morto Inferiore.
- Stop the piston at the Bottom Dead Center.
- Bloque le piston au Point Mort Inférieur.



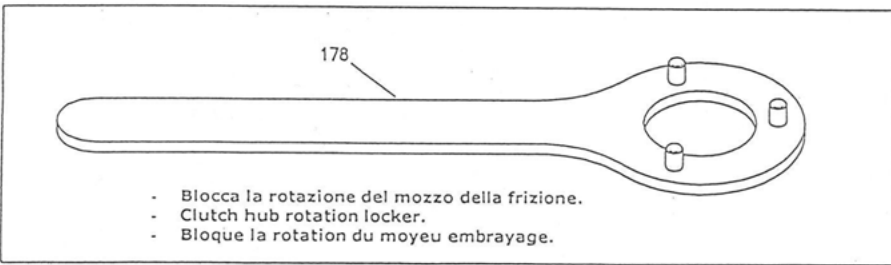
- Estrattore del mozzo della frizione.
- Clutch hub puller.
- Extracteur du moyeu embrayage.



- Spinge lo spinotto fuori dal pistone.
- Pusher of the pin out of the piston hole.
- Pousse le goujon hors du piston.



- Introduce l'anellino nel pistone.
- Piston circlip fitting.
- Introduit l'arrêt goujon.



- Blocca la rotazione del mozzo della frizione.
- Clutch hub rotation locker.
- Bloque la rotation du moyeu embrayage.

CAT-147

Ref	Part Number	Dim	Description
169	10271		Piston stroke LOCKER
173	B-55614-C		Clutch PULLER
178	10270		Clutch lock. WRENCH
180	10202	60cc	Piston pin PUNCH
182	10121	60cc	Circlip assembling TOOL