

English

ALFANO

GPS

GALILEO EU
Navstar US
Glonass RU

GALILEO

Globe Navigation
Satellite Systems
HIGH Precision



ALFANO signs the future with the design and technology of the ALFANO6.

alfano.com

ALFANO6

Alfano presents its new Alfano6 data acquisition system. A combination of technology and reliability made to satisfy, from amateurs to professional drivers. From design to production, the Alfano6 has been created for an ease of use that surprises you.

Features of Alfano6: Alfano6 captures at the same time three groups of GPS satellite systems (unique in the sector); American NAVSTAR - Russian GLONASS - **European GALILEO new**, for accuracy of lap times, speed and trajectory never reached before.



The Alfano6 has a database with more than 2500 circuits in memory. Use our APP regularly to update your Alfano6, to benefit also from an increasingly enriched database.

With its 268x128 pixel display, you can monitor all information clearly.

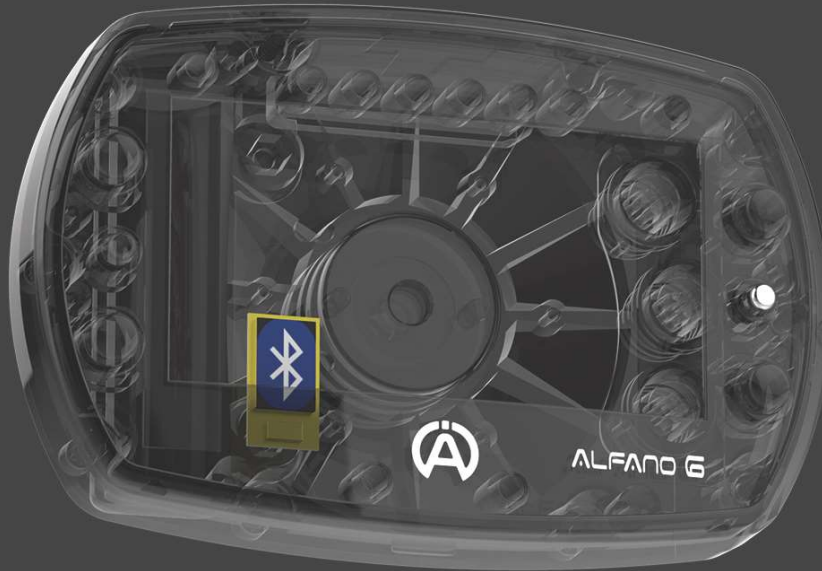
The Alfano6's display has a 6 color backlight with 3 levels of brightness. The Alfano6 has an ambient light sensor that will activate the backlight in case of lack of visibility on the screen.

You can choose up to 5 race displays (1 default and 4 to customize according to your choice), to adapt the reading of acquired data such as lap times, split times, temperatures, speed, gear engaged and more...

Alfano6 is equipped with 8 individually configurable LEDs, with the possibility to choose the color and the activation values. You can choose to activate the 6 LEDs in the center of the Alfano6, either for the engine speed (RPM) or for the exhaust temperature, or for the delta lap time, or for the delta intermediate time. The 2 external LEDs are configurable for temperature alarms.

ALFANO6

Alfano6 is equipped with Bluetooth communication for downloading data and for updating the Alfano6. The Bluetooth activates with a single press on the small button on the right.



Alfano6 is equipped with a high capacity rechargeable lithium ion battery. The Alfano6 can be connected to an external extra battery (optional).



IP56

Compatible with Pro3 Evo sensors.

ALFANO 6

A1060

GPS:

Navstar - US
Glonass - RU
Galileo - EU

Bluetooth: compatible
PC, Android, iOS

Screen:

268x128 pixels

Backlight: brightness,
6 colors

Tracks database: 2.527 currently

Power supply: Lithium Ion battery,
provided with USB battery charger
and cable A4510

T° NTC (Water / spark plug)

+

T° K (Exhaust)

Charge battery / Box12 / USB Download

Magnetic / I.R

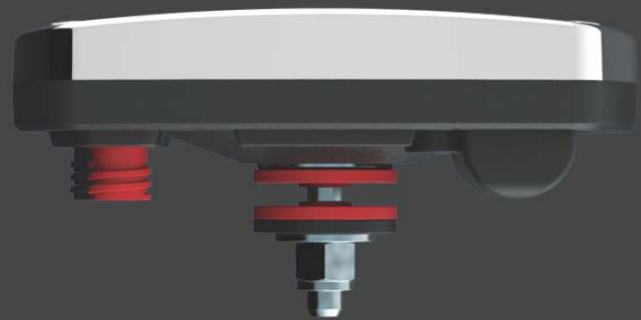
+

Speed

RPM



IP56



Extensions for temperature sensors :

A3301 for a NTC sensor, A3401 for a K sensor, A2190 (hub) for two NTC + K sensors.

To connect the speed sensor to the ALFANO6, it is necessary to have a hub :

The A2192 hub is used to connect the magnetic sensor and the speed sensor.

The A2193 hub is used to connect the infrared sensor and the speed sensor.

ALFANO 6

Home page

Timekeeping management and circuits

Configuration of race display

The mode of timekeeping chosen and the chosen circuit

T° light alarm

Analysis of the recorded data

Driver name

T° light alarm

Light alarm
 * RPM
 * T° of the exhaust
 * Delta time



Brightness detector

* Activation
 * Standby
 * Power on/off

Charge indicator

The chosen mode of the backlight

Settings

Number of satellites, date and time



Light charge & Transfer Data

Enabling communication Bluetooth or USB

ALFANO 6

Settings

Feel free to use the information buttons to discover the many possibilities of ALFANO6



Transmission, Speed sensor, RPM, Measure unit, date-hour System information

*Fixed values, **lap summary, indicator of 6 LEDs, left LED alarm, right LED alarm, screen contrast

Power, backlight and LED colors

Driver's name



Activation and reset of time and distance counters

Erasing data

Languages

Tracks consultation

* Fixed values :

Increase the high and low values of your information on the screen during the race

** Lap summary:

A window appears after the completed lap to show the main information of the lap.

ALFANO 6

Track Management

1) AUTOMATIC

ALFANO6 automatically selects the nearest track from the ALFANO database and from the tracks created.

In the case where several circuits will be available for the same place, the ALFANO6 will be in semi-automatic mode to allow you to choose the desired circuit.

If the track is non-existent, ALFANO6 will automatically create it by driving on the track. Then, it is possible to modify the tracks created in the PROFESSIONAL mode.



2) PROFESSIONAL

The ALFANO6 allows you to manually select your track among those created.

If the track is non-existent, it will automatically create it by driving on the track.

This menu can also force the creation of a new track by GPS or Magnetic / IR. Tracks created can be changed in this menu.

Note: The tracks provided by ALFANO cannot be modified or renamed, unlike circuits created with ALFANO6.

3) CLASSIC MAGNETIC / IR

Allows you to create a track by Magnetic/IR regardless of GPS



ALFANO 6

Race display screens



With the ALFANO6, it is possible to design 4 customized configurations of your race display and use them during the race. Thanks to a simple and original interface, you can choose through a very complete list, the information of your choice, move, resize and change screen color theme between light and dark.



As you drive, just press the button on the top right to go from one screen to another. A small number at the top left identifies the displayed screen.

Tip: to display the screen in its actual size during its design, press OK on this icon.



Press again the same button to return to the creation window.



ALFANO 6

Bluetooth & software



Download your data on Smartphone, Tablet and PC. With the ALFANO6, there is nothing easier.

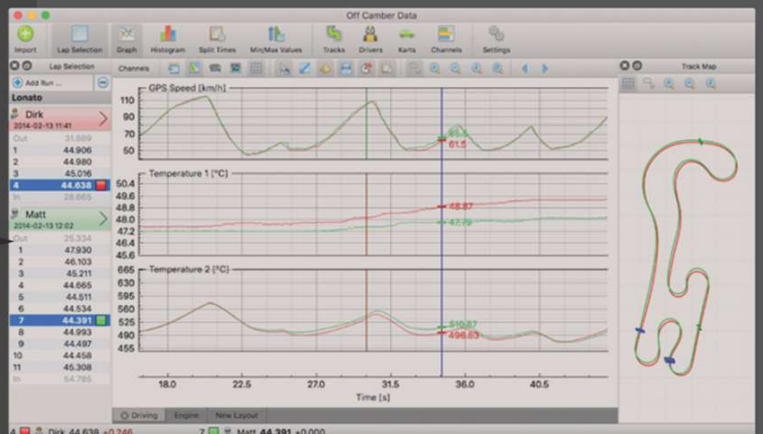
With the ALFANO6, a single press of a button is enough to activate the Bluetooth communication, even when ALFANO6 is turned off.

ALFANO offers APPs for Android and iOS in continuous development. Analyze your data professionally and benefit from the latest firmware to make the most of your ALFANO6.

- Download our free apps
- * Google Play for Android
- * APP Store for iOS

OFF CAMBER DATA

ALFANO SA has partnered with a professional company specialized in the development of analysis software on PC, Windows and Mac : www.offcamberdata.com/alfano/





The GPS circuit I use from the database in AUTOMATIC mode does not have partials.

How do I add partials?

If in the database the circuit does not correspond to your expectations, you must design a new circuit in PROFESSIONAL mode. In the professional menu, choose "create new circuit", then ride on the circuit. At the end of the first lap, the circuit will be created with a single GPS starting point, the new circuit will be identified with the name TRACK GPS *** plus the date and time of this creation. At the end of the session, go back to the same menu and choose "edit". At this point you can modify the circuit you have created, move the starting point, add partials to the desired locations and rename the circuit. For future sessions, this circuit will be ready to use.

I want to design a circuit with magnetic strips. Should I use the MAGNETIC CLASSIC mode?

The "CLASSIC MAGNETIC" mode is an option rather reserved for "Indoor" circuits, the places where the GPS does not work correctly. If you are outside, choose the "PROFESSIONAL" mode. In this window, indicate the magnetic field of the desired departure, then drive. At the end of the first lap, Alfano6 creates the circuit with the correct number of magnetic fields. It is possible later to modify the circuit; for example to modify the magnetic start, add partials, etc ... IMPORTANT: For the next race on the circuit, if the magnetic sensor is not connected, the Alfano6 will automatically replace the magnetic strips by GPS points.

In the early laps, the Alfano6 did not start the timing?

Before driving on the track, make sure you have good satellite reception. Be aware that the GPS signal is hard to pierce roofs, especially metal ones. One advises, as soon as you activate the ALFANO6 or you leave the stands covered with a roof, take the time to wait outside to get a good GPS signal before browsing a new session. , the Alfano6 can capture up to +/- 30 satellites, it takes a minimum of 10 satellites to start the timing. Keep in mind that the more satellites you capture, the better it is for timing and tracking.

How can I save the gearbox reports?

Before proceeding with this operation, the Alfano6 must be equipped with a Hub cable PN A2192 or (A2193), a speed sensor PN A2201 and RPM cable. In the "Transmission settings" menu, choose "Gearbox", then configure the number of gears and finally "start learning". Gearbox reporting can be done on the track, but it is more convenient to do this on the kart stand.

How can I recharge the battery?

The Alfano 6 can recharge its battery with any USB source, USB charger, USB port of a PC, external USB battery. Use the USB charging cable supplied with Alfano6, PN A4510

When the Alfano6 is off, can it restart automatically in the presence of RPM signal?

As soon as the engine is started, the Alfano6 is reactivated automatically when it is in Standby mode. There are two ways for the Alfano6 to be in Standby mode. The first way, the Alfano6 automatically enters Standby mode after 10 minutes of inactivity. The second way is a short press on the power button. The duration of time in Standby is 300 minutes, then the Alfano6 switches off.



Is the Alfano6 equipped with a brightness sensor?

Yes, Alfano6 activates the backlight according to the ambient light. In the "brightness" menu, select "auto".

Alfano6 switches off or does not work properly while driving?

The problem may come from the boot or spark plug used. Boots or spark plugs without internal resistance generate electromagnetic interference that causes problems on the complex electronics of the Alfano6. The solution to the problem is the use of a boot or spark plug with internal resistance, identifiable by the code of the product with the initials "R". Another precaution, avoid wrapping the RPM wire around the ignition coil, use the red clips provided.

Are the six central LEDs configured for the RPM only?

NO, you have the choice to use these LEDs, either for the RPM, the exhaust sensor temperature, the difference in lap time or partial times. For the RPM, it is possible to define a threshold (from 0 to 16,000). In case of higher RPM, change the maximum value in "rpm settings". For lap time or partial difference, each of the six central LEDs represents one-tenth of a second. The green LEDs indicate a lead on the best lap of the current session while the red LEDs indicate a delay.

I notice that the temperature measured of the exhaust with the ALFANO sensor is higher than that of the competition?

Each sensor brand has a more or less rapid reaction dynamics. ALFANO has opted for a very sensitive sensor, therefore more reactive. The measured temperature is not constant on a motor, accelerations and decelerations vary abruptly, our sensors are able to measure higher temperature peaks and lower temperature peaks. Our exhaust sensors are recognized by the best teams, as they allow for a more precise adjustment of the carburation.

How to download the data or update the Alfano6?

For downloading and analyzing data, you have our free APPs on Android and iOS that are continually updated. For professionals accustomed to the PC, we have the OCD software on Windows PC and PC Mac. For the update of the Alfano6, all our APPs have a firmware version. It is important to check if you have the latest version of APP on your smartphone or tablet. The download is via Bluetooth or the USB port. To use the USB option on your smartphone or tablet, please have the PN A4520 and a special OTG cable sold in computer stores. Once connected, the app will notify you if there is a new firmware available for your Alfano6, you can then update through our app.

I notice that in my Alfano6, there are spelling mistakes, ... Bug?

We are constantly evolving, do not hesitate to send us your comments on info@alfano.com, we will act very quickly. You can easily send your saved data to ALFANO S.A. from your APP. This will also improve the circuit database.

OPTIONS

PN. A1302

Magnetic sensor - 90cm



PN. A2101

Water sensor «ntc» - 45cm



PN. A2104

Spark plug sensor «ntc» - 45cm



PN. A2610

Hose adapter 17mm for A2101 - A2111



PN. A3301

Extension for sensor «ntc» - 135cm



PN. A2151

Exhaust sensor «k» - 40cm



PN. A2190

Extension Y for «ntc + k» - 135cm



PN. A2201

Speed sensor - 195cm



PN. A2192

Hub magnetic + speed - 20cm



PN. A4461

Ring 4 mag. for A2201 - 50mm



PN. A4510

USB charger cable - 200cm



PN. A4520

USB Download DATA cable - 150cm



BOX 12

Art. A1160



* integrated g-force sensor

You can connect :

- * 1 ALFANO6
- * 4 temperature sensors
- * 4 position sensors
- * 4 speed sensors
- * 1 analog input
- * 1 Lambda sensor
- * 1 connection Bus
- * 1 input : battery charge external power supply
- * 1 input RPM: signal PWM

PN. A2405

Pedal position sensor - 120cm



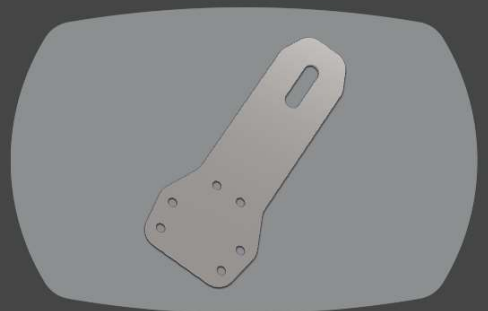
PN. A2401

Stee. wheel movement sensor - 80cm



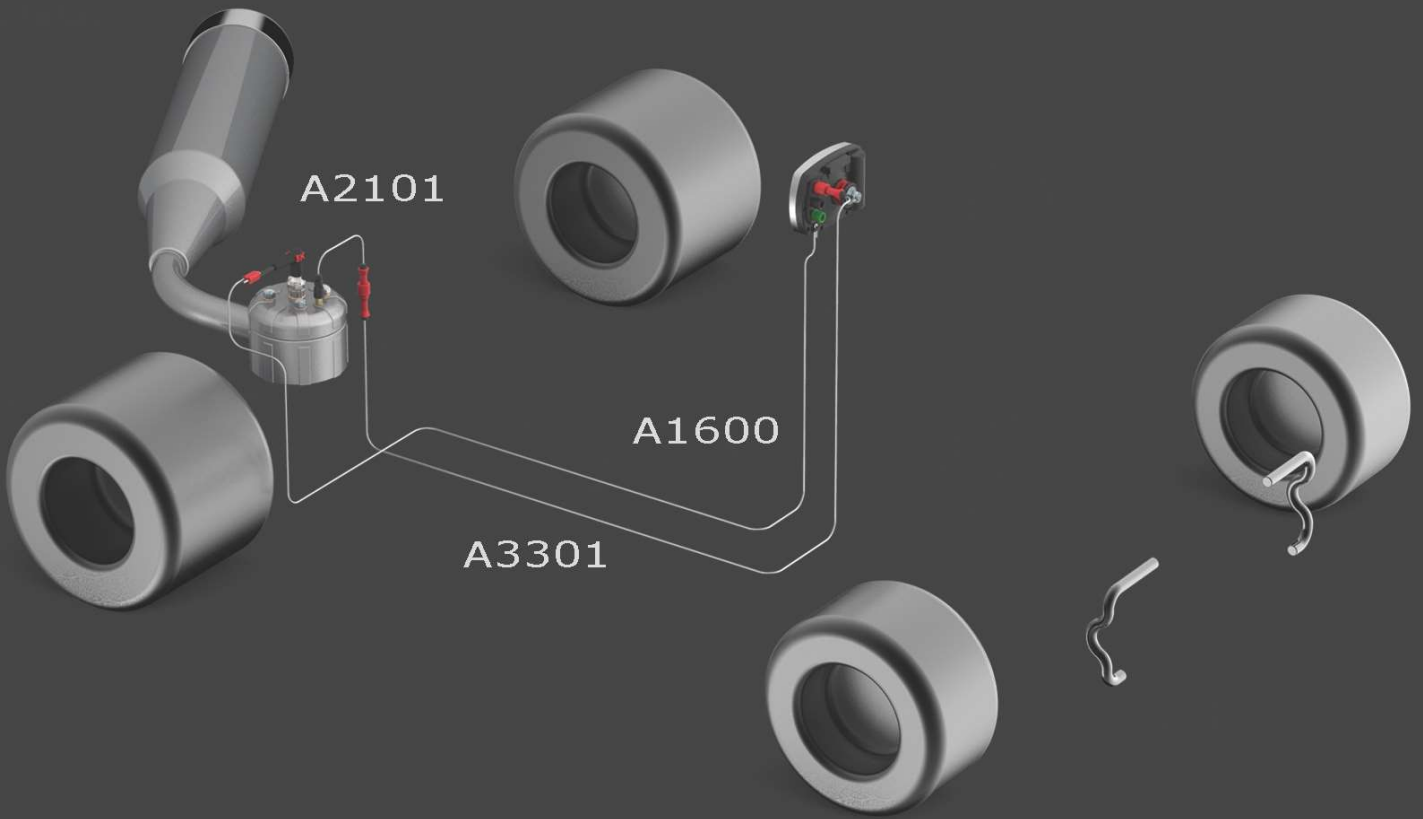
PN. A0576

Support alfano6 for tonykart

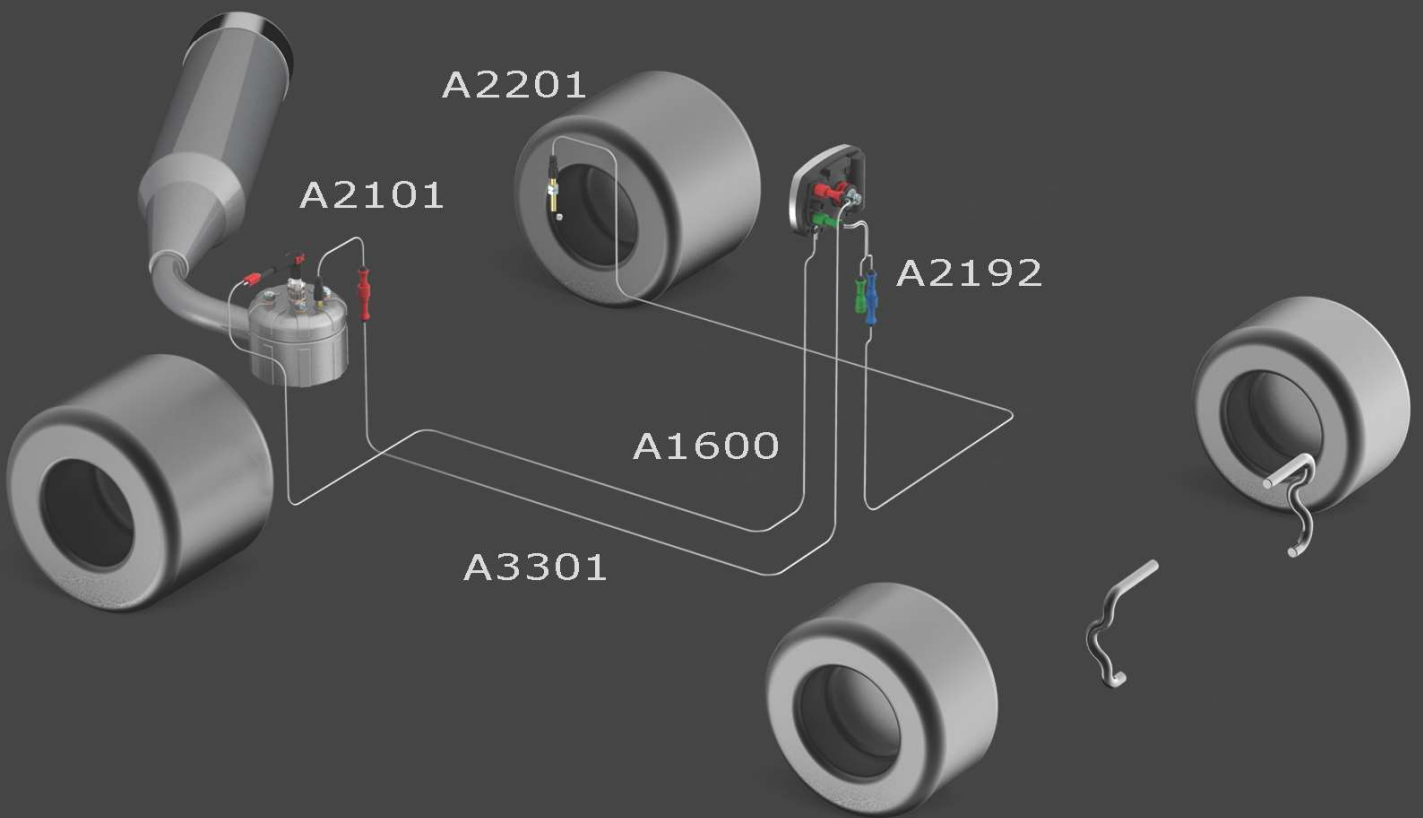


Full range of our sensors and
accessories on www.alfano.com

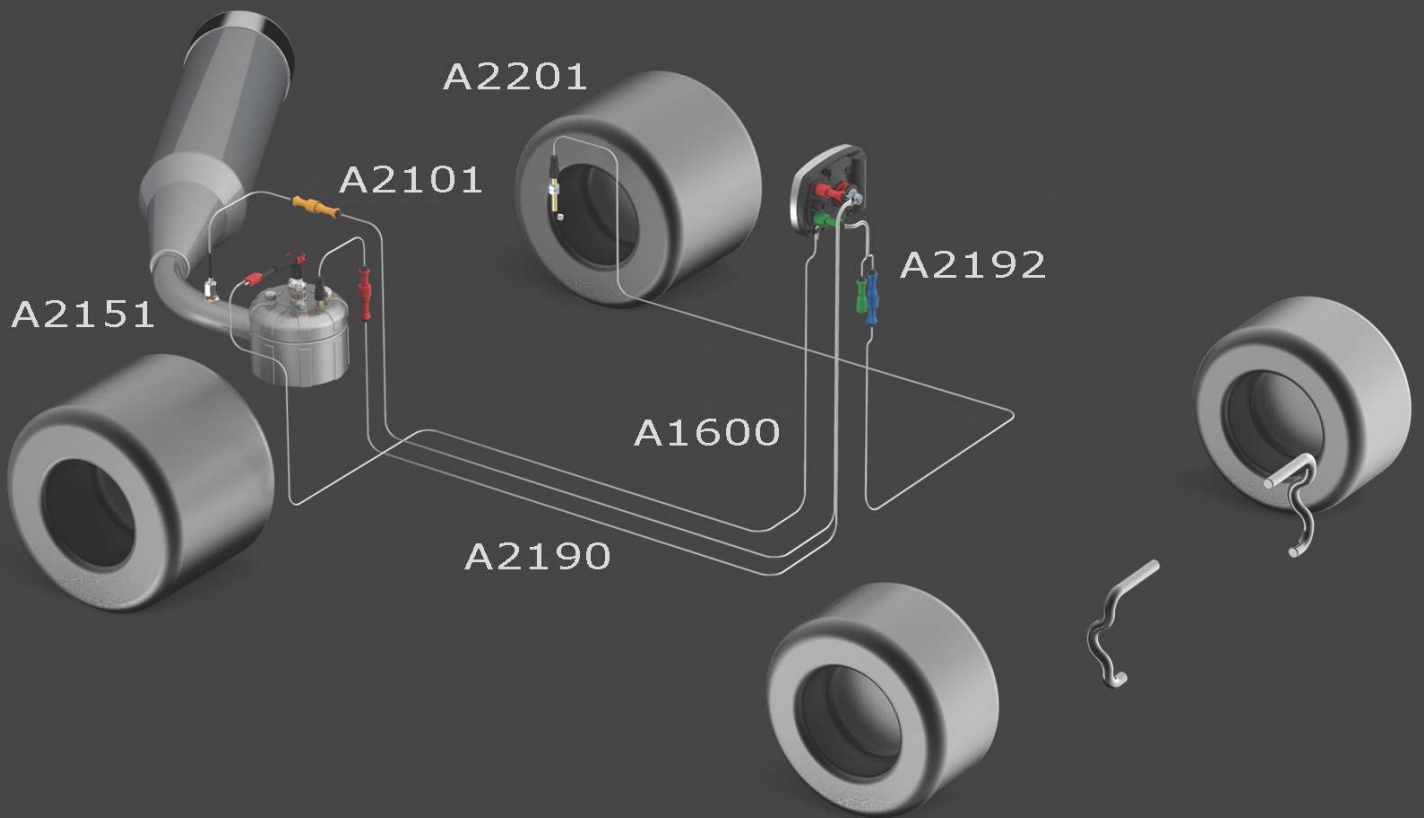
ALFANO6 PACK1



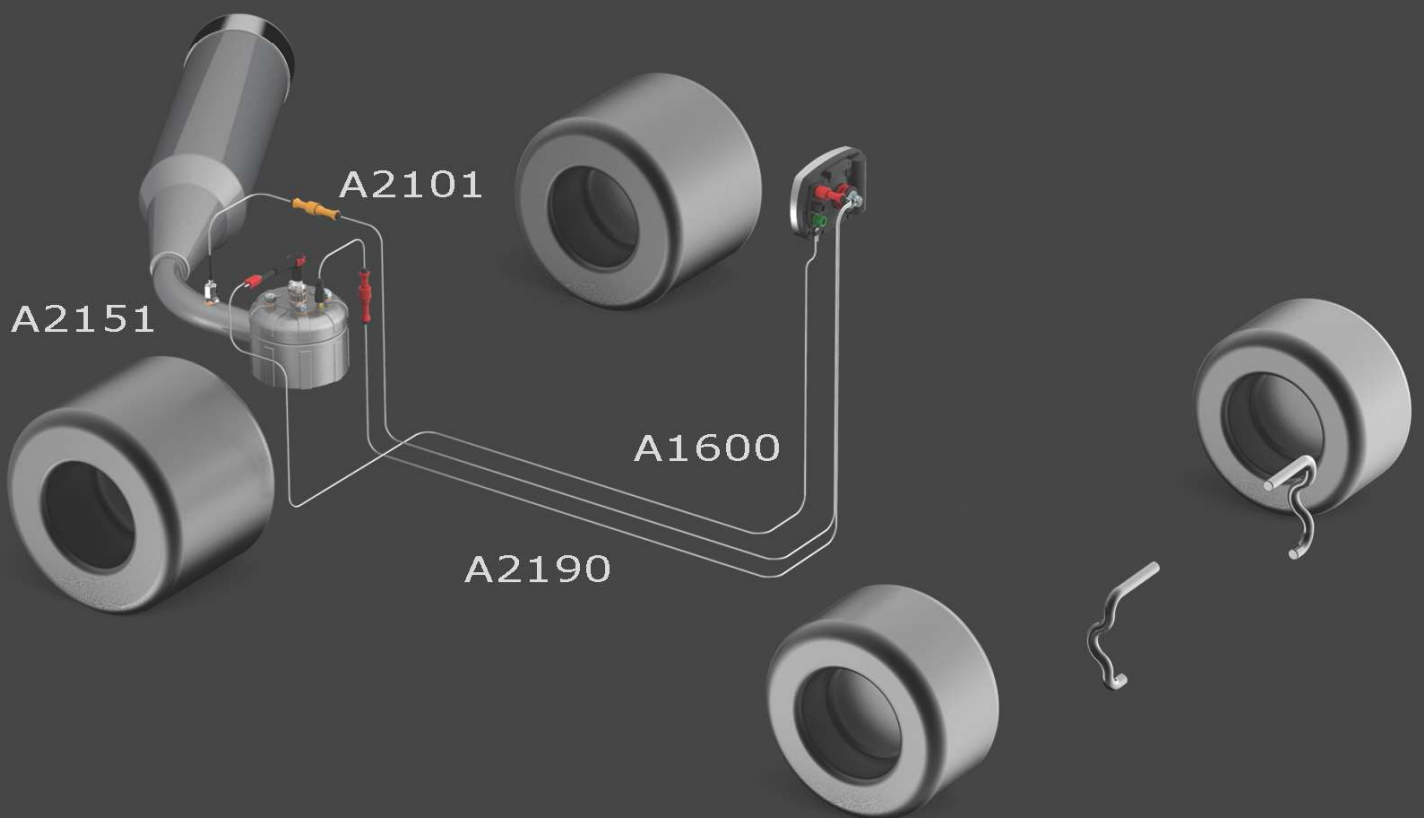
ALFANO6 PACK2



ALFANO6 PACK3



ALFANO6 PACK4



Join us...



facebook

Alfano Laptimers



Instagram

Alfano Laptimers



Web site

alfano.com

ALFANO S.A.

Rue de l'Industrie, 3b
1400 Nivelles (Belgium)
info@alfano.com

Manual v4 24-06-2018