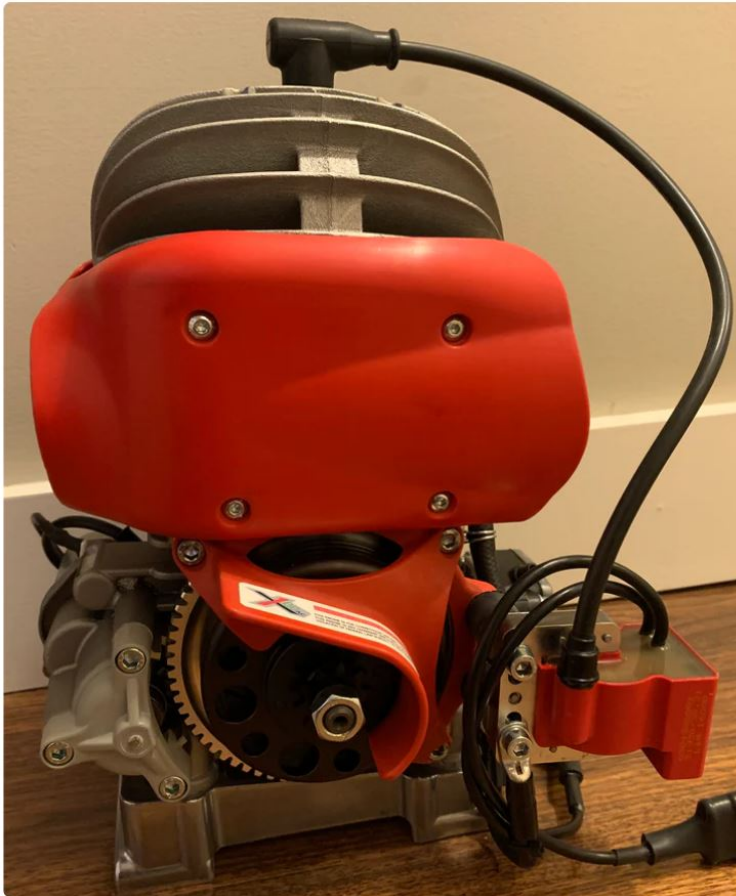


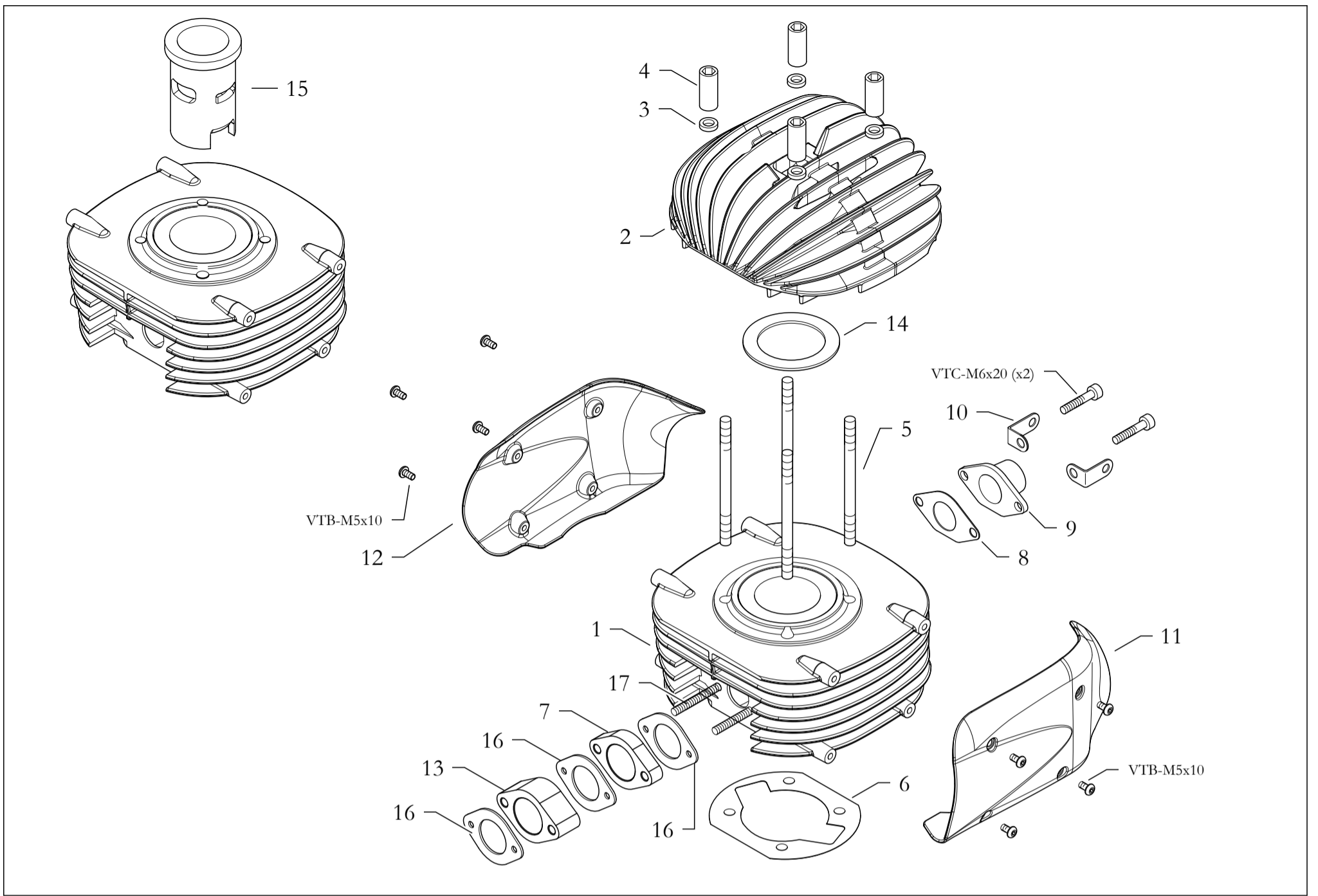
Parts Reference Catalog

INDEX

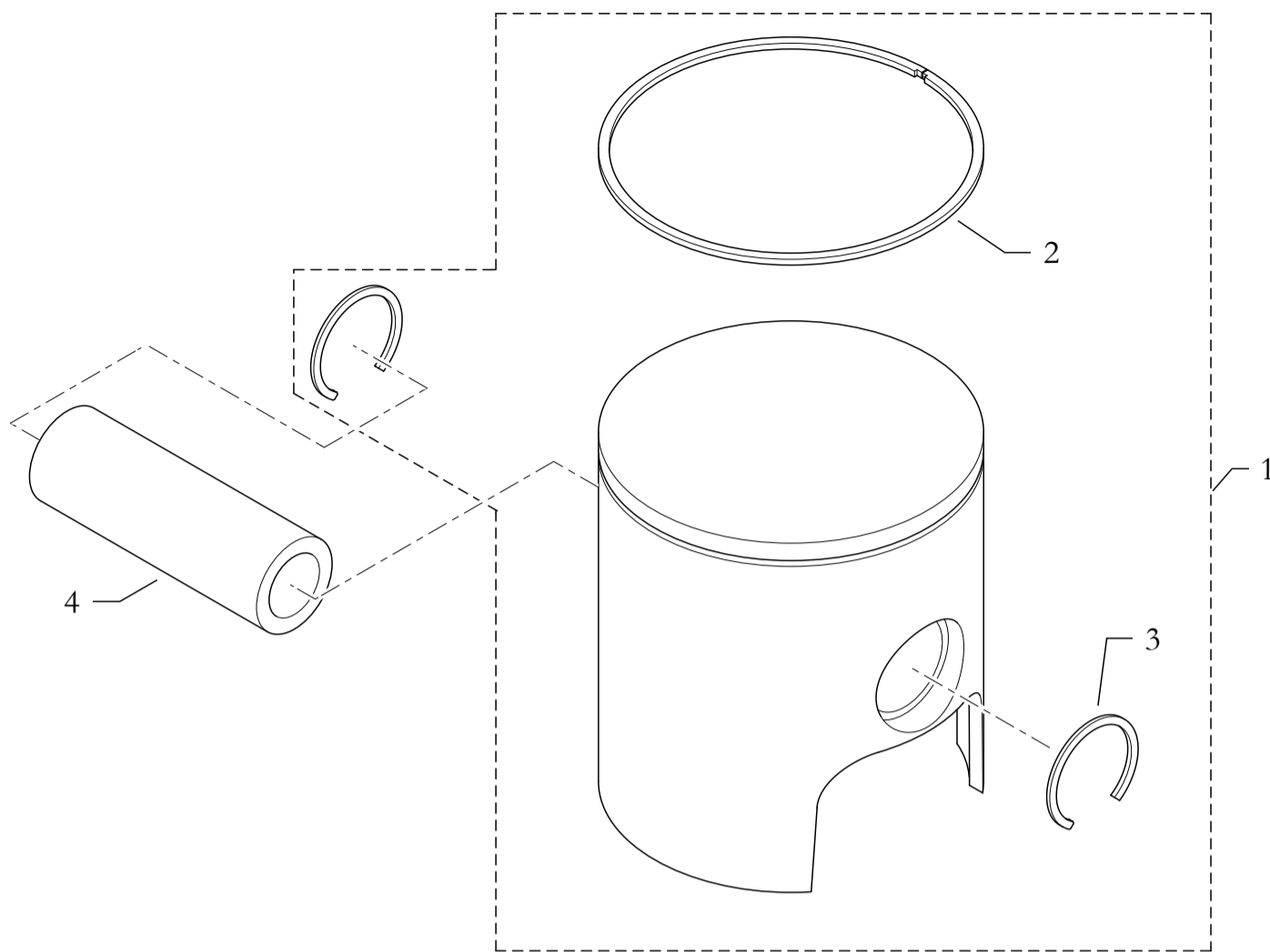


- 01 INDEX
- 02 CYLINDER
- 03 PISTON
- 04 CRANKSHAFT
- 05 COUNTERSHAFT
- 06 REED VALVE
- 07 CLUTCH
- 08 ENGINE STARTER
- 09 IGNITION
- 10 ELECTRONIC
- 11 EXHAUST SILENCER
- 12 TOOLS

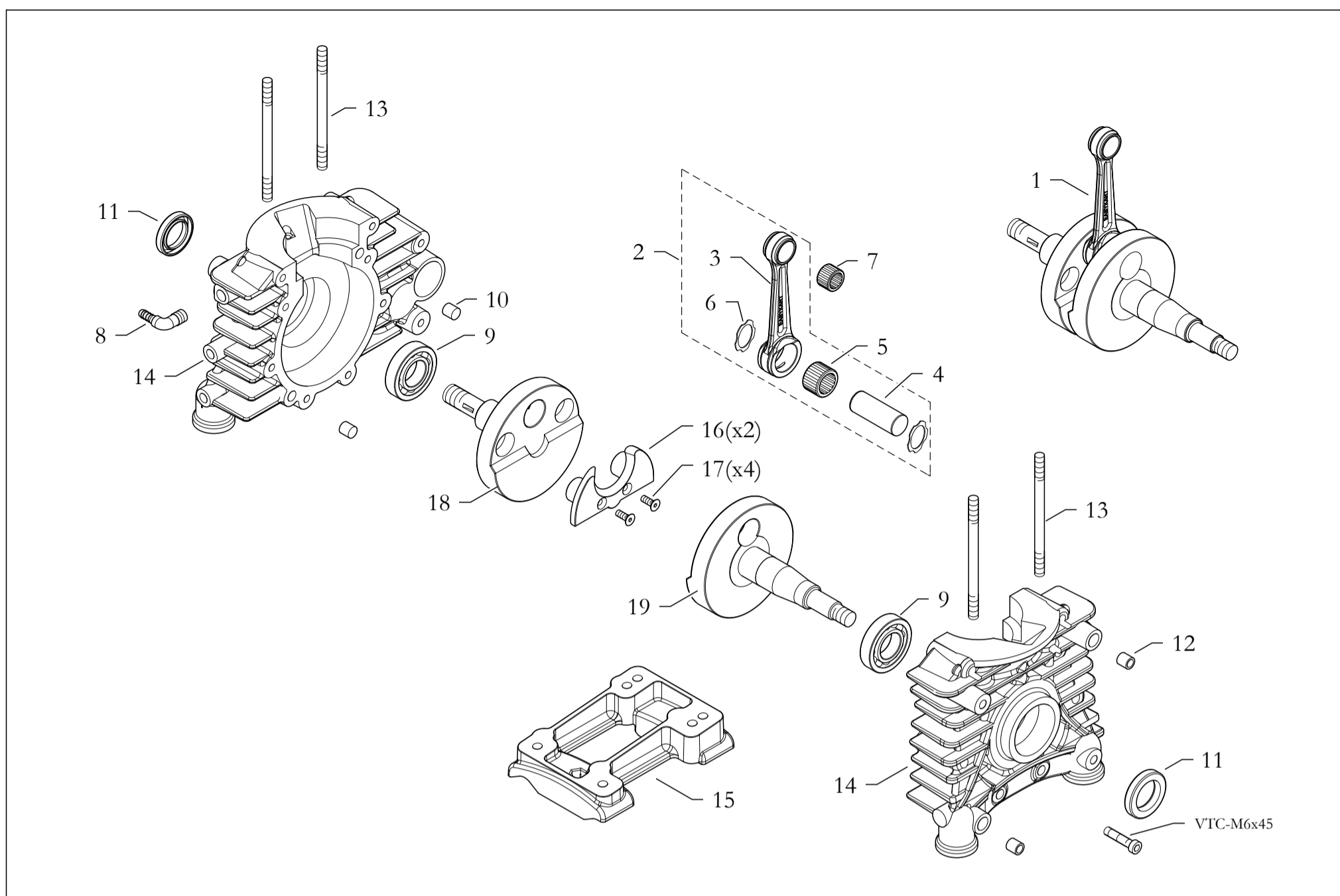




Pos.	Code	Description
1	10.10111.00	X60 CYLINDER
2	20.10112.10-RO	X60 CYLINDER HEAD
3	20.3729.06	WASHER 8x15x3
4	20.1577.06	X60 CYLINDER HEAD NUTS M8x30
5	20.9383.06	X60 CYLINDER STUDS M8X132
6	20.11673.22	X60 CYLINDER BASE GASKET 0,1MM
6	20.11563.22	X60 CYLINDER BASE GASKET 0,2MM
6	20.9483.22	X60 CYLINDER BASE GASKET 0,3MM
6	20.9230.22	X60 CYLINDER BASE GASKET 0,4MM
6	20.11116.22	X60 CYLINDER BASE GASKET 0,5MM
7	61819C	CARB SPACER 11.5-21/27
8	20.9228.22	X60 EXHAUST GASKET
9	10.10114.00	X60 EXHAUST HEADER MANIFOLD
10	20.10115.06	X60 EXHAUST SILENCER BRACKET
11	20.8921.18	X60 CYLINDER CONVEYOR LEFT
12	20.8920.18	X60 CYLINDER CONVEYOR RIGHT
13	20.16165.10	CARB FLANGE 27mm
14	20.10149.10	X60 CYLINDER HEAD GASKET 0,05 MM
14	20.10150.10	X60 CYLINDER HEAD GASKET 0,1 MM
14	20.10151.10	X60 CYLINDER HEAD GASKET 0,2 MM
15	20.10672.08	X60 CYLINDER LINER
16	20.9342.22	X60 CYLINDER HEAD GASKET
17		X60 CYLINDER STUDS M6 L68

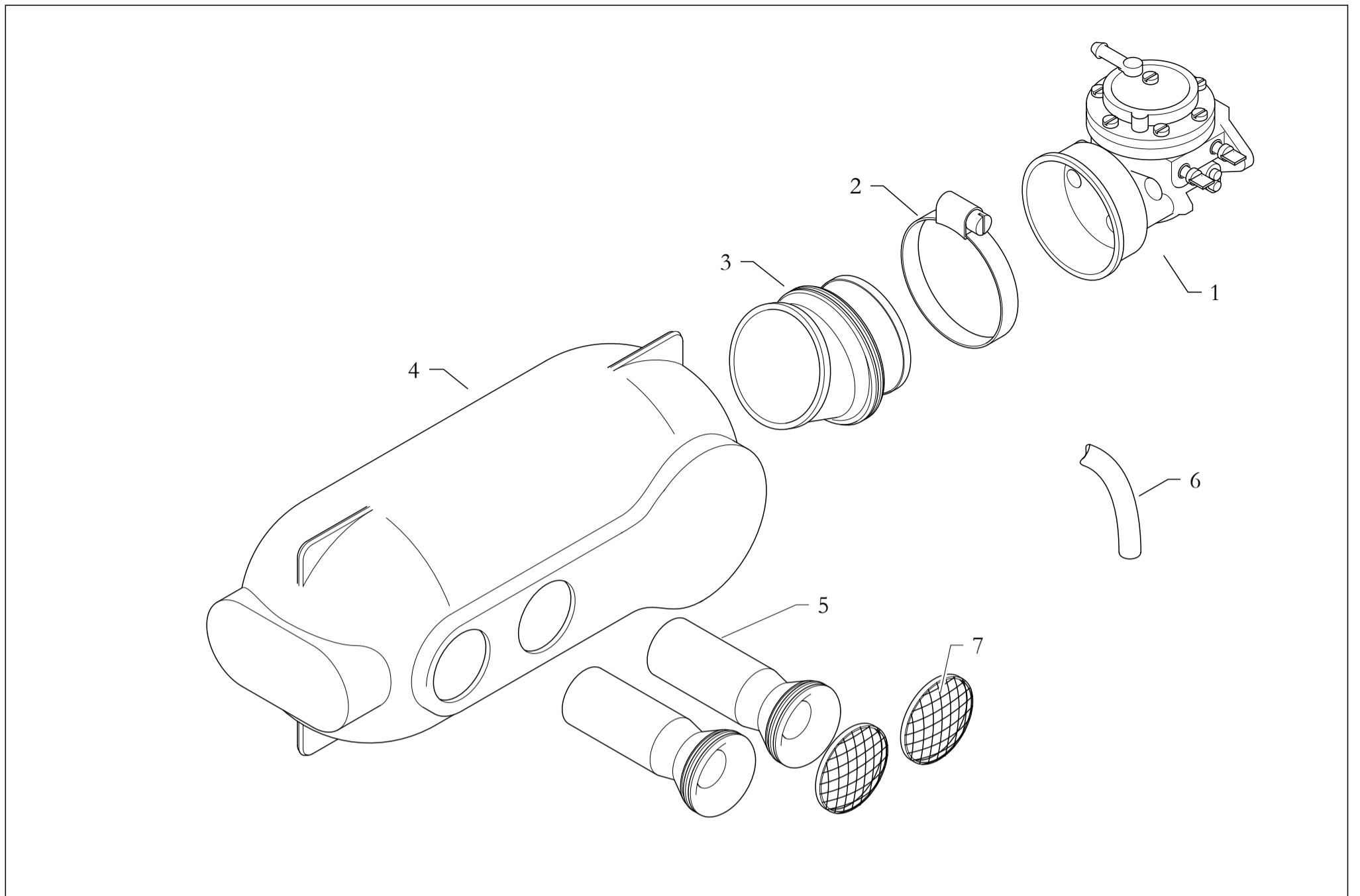


Pos.	Code	Description	Note
1	10.10127.00	X60 PISTON ASSEMBLY Ø~41,87	RING 41,90
1	10.10128.00	X60 PISTON ASSEMBLY Ø41,88	RING 41,95
1	10.10129.00	X60 PISTON ASSEMBLY Ø41,90	RING 41,95
1	10.10130.00	X60 PISTON ASSEMBLY Ø41,92	RING 42,00
1	10.10131.00	X60 PISTON ASSEMBLY Ø41,94	RING 42,00
2	40.11180.00	X60 PISTON RING 41,9	
2	40.11181.00	X60 PISTON RING 41,95	
2	40.10132.00	X60 PISTON RING 42,00	
3	40.9352.00	X60 PISTON CIRCLIP	
4	40.9351.00	X60 PISTON PIN	

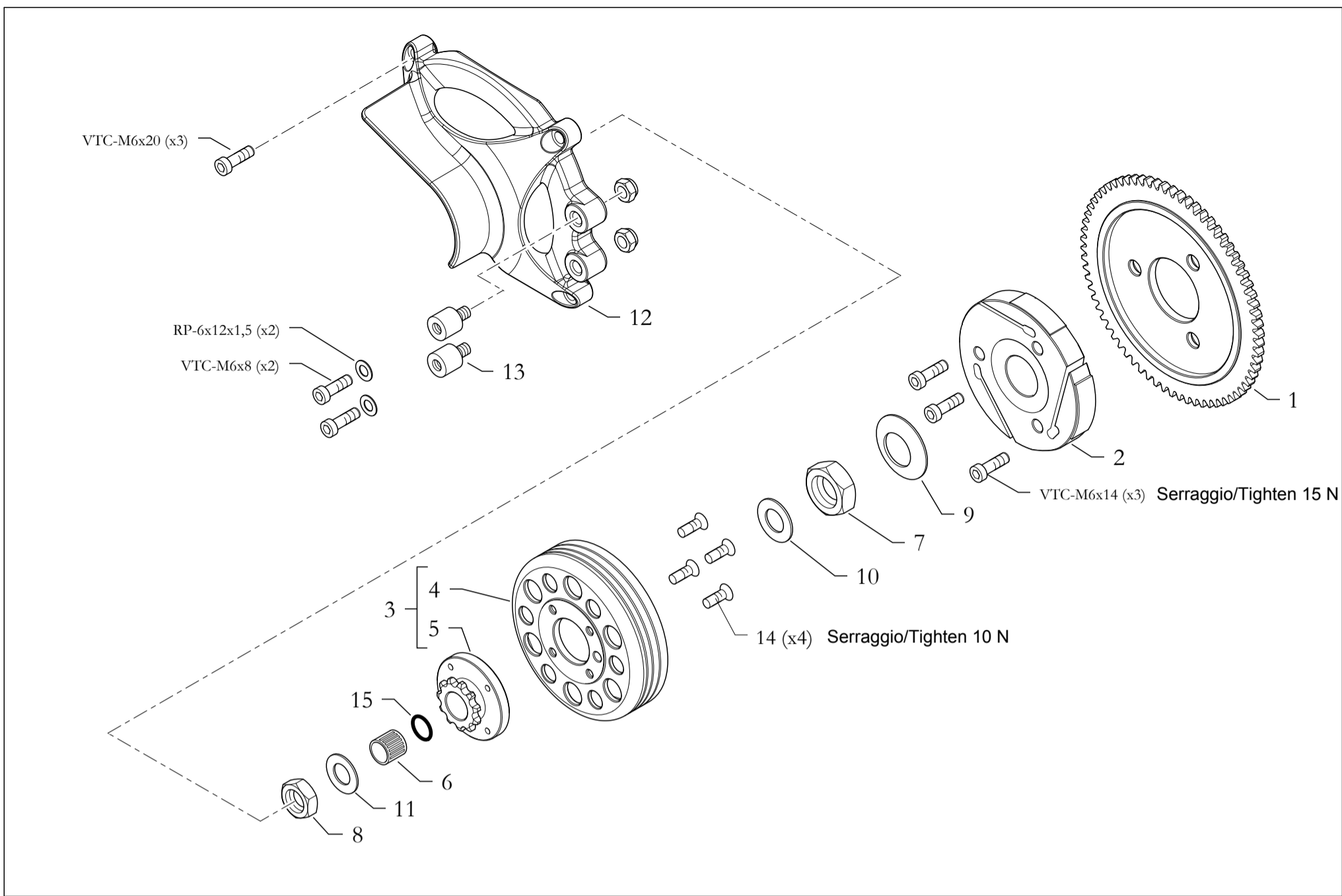


Pos.	Code	Description	Note
1	10.10117.00	X60 COMPLETE CRANK ASSEMBLY	
2	10.10118.00	X60 CONNECTING ROD ASSEMBLY	
3	20.10119.06	X60 CONNECTING ROD	
4	20.9373.06	X60 CRANK PIN D.18 L=40,5	LOWER H 40
5	40.9288.00	X60 LOWER CAGE 18/24/15	
6	40.11057.00	X60 THRUST WASHER 18x30x1	
7	40.10172.00	NEEDLE CAGE 12x16x15,5	
8	40.9245.00	X60 CONICAL ELBOW FITTING R1/8"	
9	40.7926.00	BEARING 6204 TC4 20x47x14	
10	40.9390.00	X60 CYLINDER PLUG 7x10	
11	40.9387.00	OIL SEAL FJP 20x35x7 GS	
12	20.9388.06	X60 CYLINDER PLUG 8x10	
13	20.9383.06	X60 CYLINDER TIERODS M8x132	
14	10.10671.00	X60 CRANKCASE ASSEMBLY	
15	10.8926.00	X60 MOTOR MOUNT	
16	20.9823.18	X60 CRANK STUFFER	
17	40.11173.00	M5x10 TORX	
18		X60 CRANK HALF - IGNITION	
19		X60 CRANK HALF - CLUTCH	

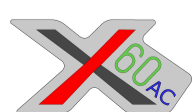


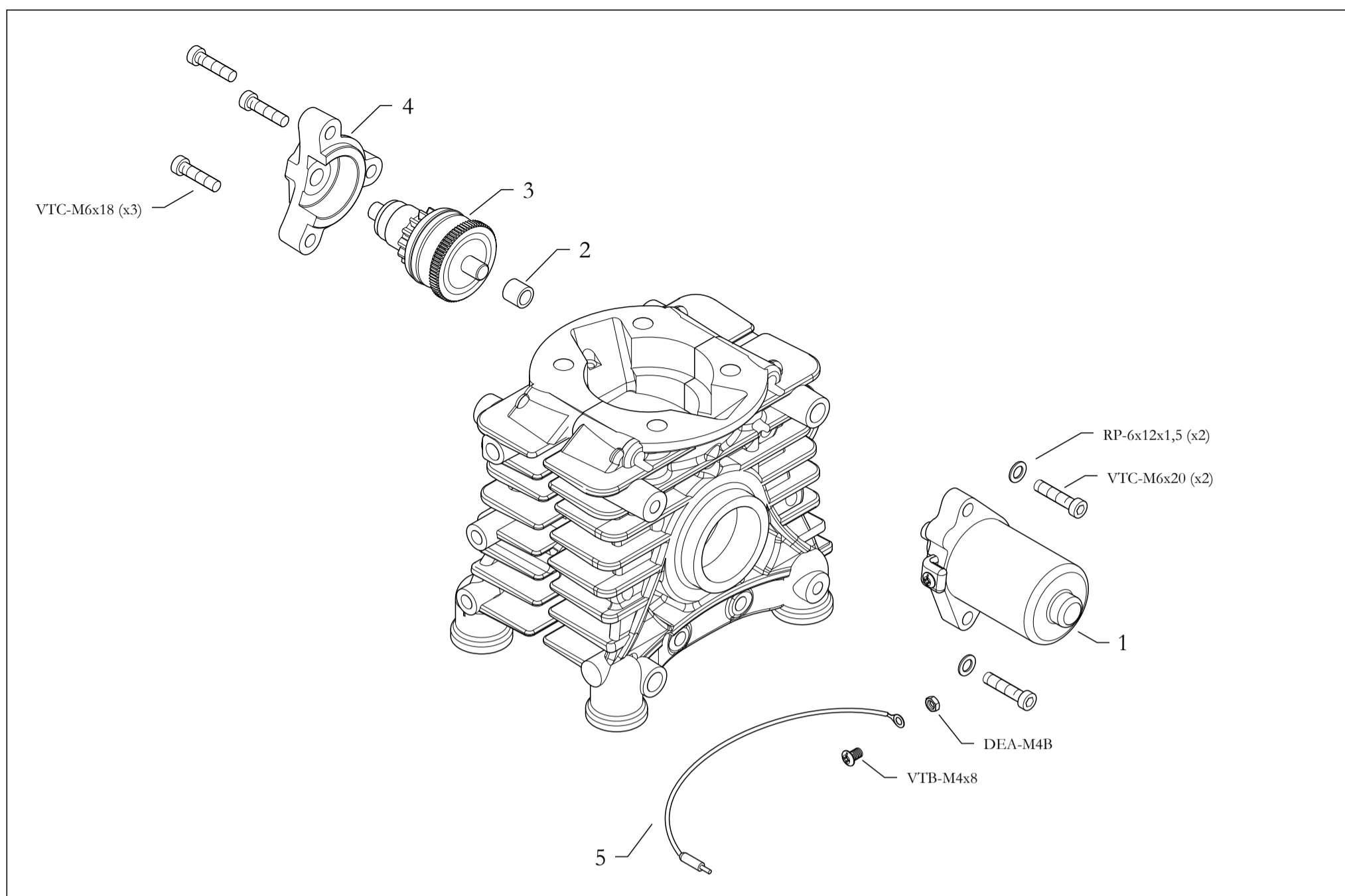


Pos.	Code	Description
1	HW-31A	CARB. TILLOTSON HW-31A
2	40.5885.00	METAL CLAMP 58-75/9
3	20.1627.20	RUBBER FITTING/BOOT
4	10.12952.00-NE	AIRBOX - AL22PS
5	20.1626.18	AIRBOX TUBE 22
6		FUEL LINE (TO FUEL PUMP) L=195
7	20.4080.18	AIRBOX TUBE SCREEN 22

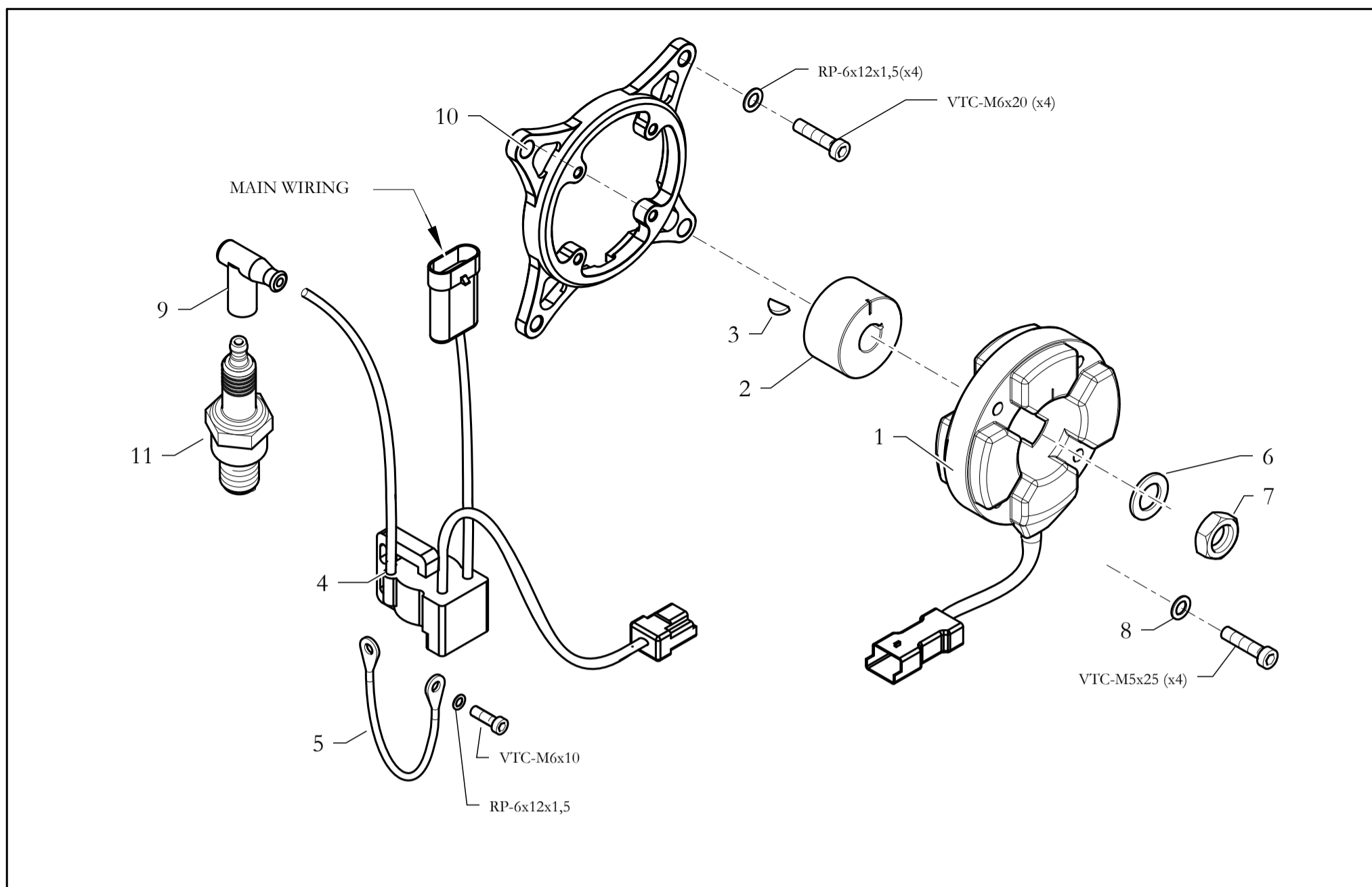


Pos.	Code	Description
1	20.10152.10	X60 STARTER GEAR ERGAL Z 66
2	20.9998.06	X60 CLUTCH HUB
3	10.10153.00	X60 CLUTCH DRUM ASSEMBLY Z10
4	20.10154.06	X60 CLUTCH DRUM
5	20.9346.06	DRIVE GEAR Z10
6	40.10620.00	NEEDLE CAGE 12x15x15
7	20.9381.06	CLUTCH NUT M16
8	20.11153.06	HEX NUT M10x1
10	20.9380.06	SPACER 12X20X1,6
11	20.9379.06	DRIVE GEAR WASHER 10X17X3
12	20.9174.10-RO	X60 CLUTCH COVER
13	40.9547.00	SILENTBLOCK 20x20 M6 MF
14	40.11174.00	TORX M5x8
15	40.10636.00	ORING 11,11X1,78

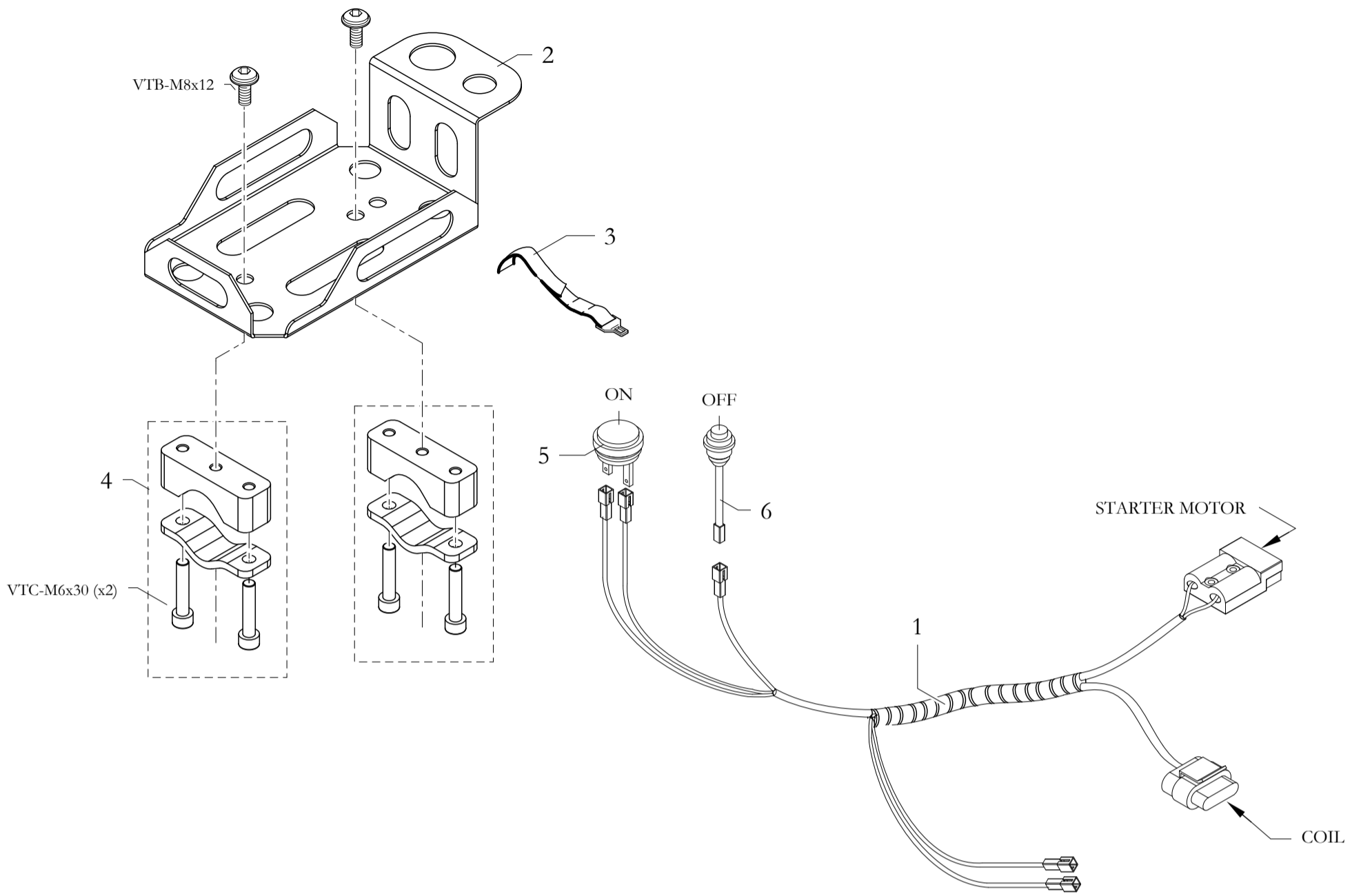




Pos.	Code	Description
1	40.9180.00	X60 STARTER
2	40.9382.00	BEARING 8x10x12
3	40.9179.00	X60 BENDIX/COUNTERSHAFT
4	20.9175.18	X60 BENDIX/COUNTERSHAFT COVER
5	10.8139.28	X60 STARTER WIRE



Pos.	Code	Description
1	10.14137.00	STATOR
2	40.15401.00	STATOR ROTOR
3	40.8067.00	IGNITION KEY
4	40.13698.00	COIL MAX 16000
5	10.8711.00	GROUND CABLE
6	20.9379.00	WASHER 10x17x4
7	40.11153.00	MEDIUM HEX NUT M10x1
8	20.11155.06	SPACER 5x11x2.5
9	40.14070.00	SPARK PLUG BOOT
10	20.15043.10	STATOR SUPPORT
11	10.11156.00	SPARK PLUG L8S
11	10.6843.00	SPARK PLUG L10SL



Pos.	Code	Description
1	40.13690.00	MAIN WIRING HARNESS
2	20.13633.06	BATTERY SUPPORT
3	10.13739.00	VELCRO STRAP
4	10.15234.00	CHASSIS CLAMP
5	40.13691.00	START BUTTON
6	10.14058.00	STOP BUTTON (WIRED)

