

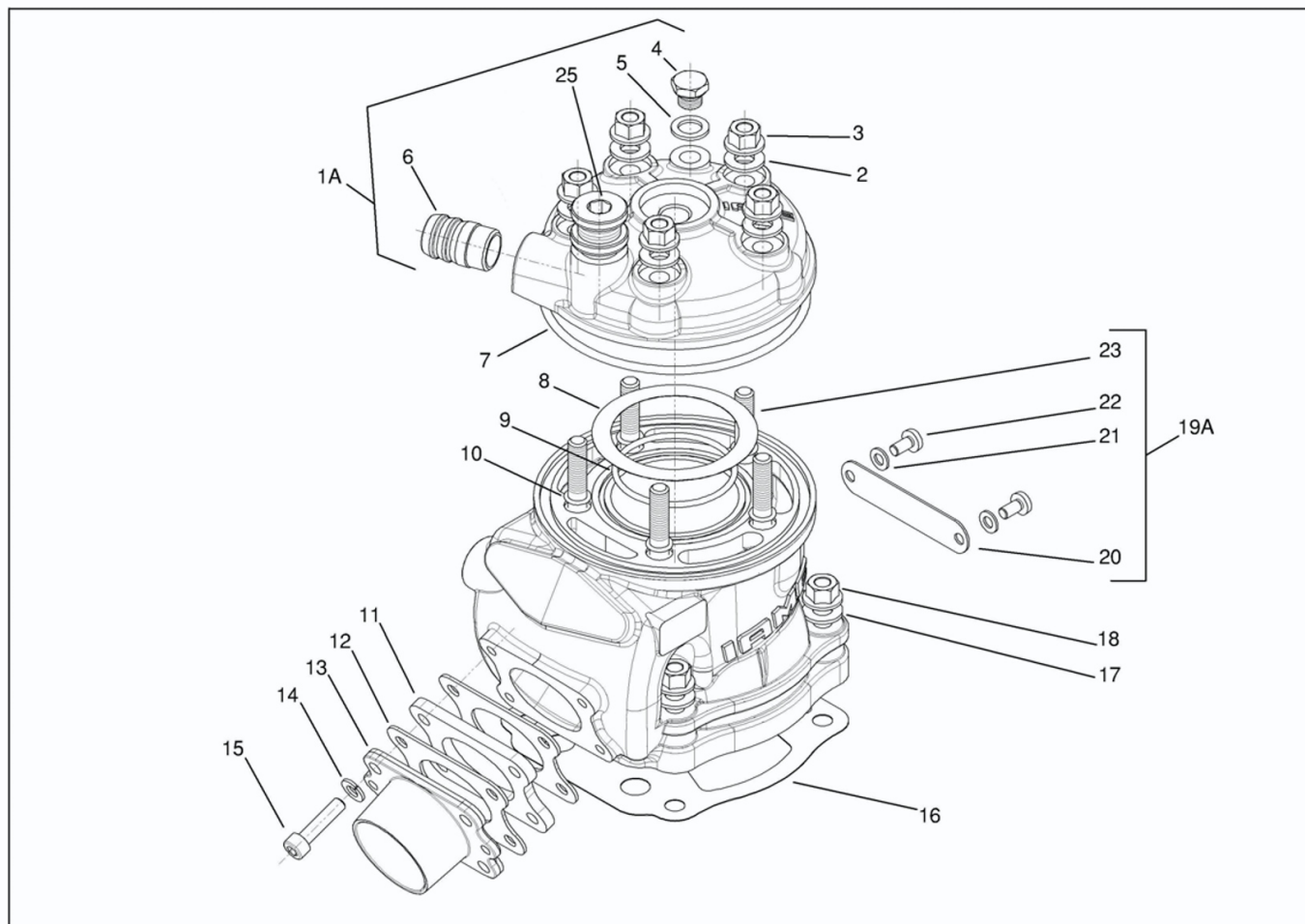
IAME

The heart of kart

PARILLA - X30 SHIFTER TaG '11



HEAD AND CYLINDER

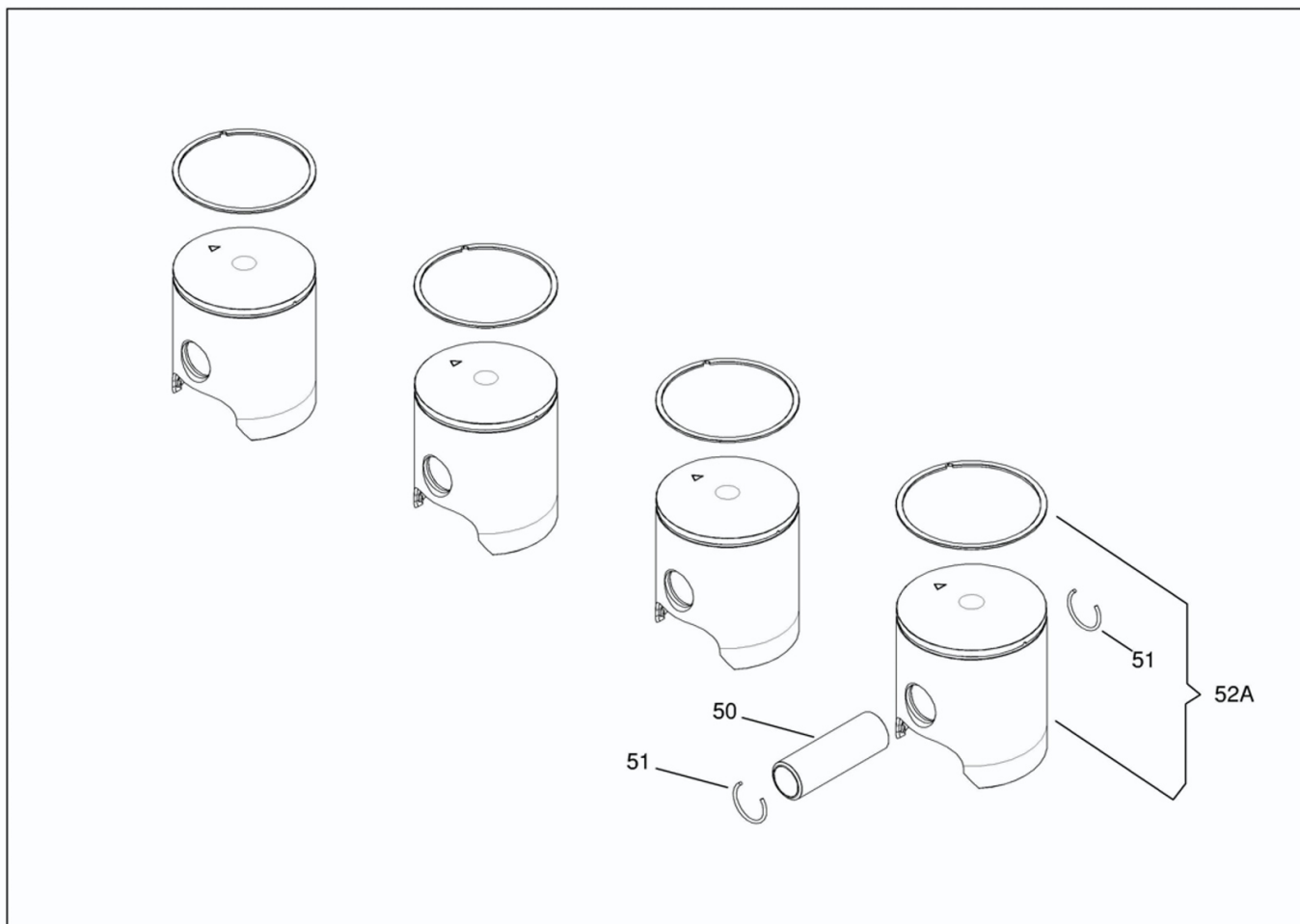


KT-002

RICAMBI / SPARES

POS	COD	DESCR
001A	IZA-40101-C	CYLINDER HEAD SHIFTER KZ'11
002	00303-K	KIT OF 20 HEAD WASHERS M8
003	00363-K	KIT 20 REEDSTER /KZ HEAD NUT
004	B-25840	TEMP. GAUGE PLUG
005	B-25845	TEMP. GAUGE PLUG GASKET
006	IFA-40500	WATER PIPE FITT. REEDST./KZ
007	IFA-40300	OUT HEAD GASKET OR REEDS. / KZ
008	IFA-40200-0.05	HEAD GASKET CU 0.05 REED./KZ
008	IFA-40200-0.10	HEAD GASKET CU 0.10 REED./KZ
008	IFA-40200-0.20	HEAD GASKET CU 0.20 REED./KZ
009	IFA-42200	INN.HEAD GASKET OR REEDST./ KZ
010	B-25825	TIE-ROD GASKET OR STUD-BOLT
011	IFH-20500	EXHAUST SPACER REEDST./KZ
012	IFA-20500	EXHAUST PIPE GASKET REEDST/KZ
013	IFH-02000	EXHAUST PIPE FITTING REEDS./KZ
014	00331-K	KIT 20 EXHAUST WASHERS M6
015	00045-K	20 SOCKET HEADSCREWS M6X25 KIT
016	IZB-10400-0.1	CYLINDER BASE GASKET KZ 1/10
016	IZB-10400-0.2	CYLINDER BASE GASKET KZ 2/10
016	IZB-10400-0.3	CYLINDER BASE GASKET KZ 3/10
016	IZB-10400-0.4	CYLINDER BASE GASKET KZ 4/10
017	00322-K	20 WASHERS KIT M8
018	IFA-20300	CYL. UNDERSIZE NUT REEDST./KZ
019A	IZA-01000	CYLINDER SHIFTER TaG
020	IZB-40500	SHIFTER ENGINE PLATE
021	00301-K	KIT 20 WASHERS M5
022	00257-K	20 SCREWS KIT M5x10
023	IFA-20200	FIXING HEAD STUDBOLT REED/XTR

PISTON

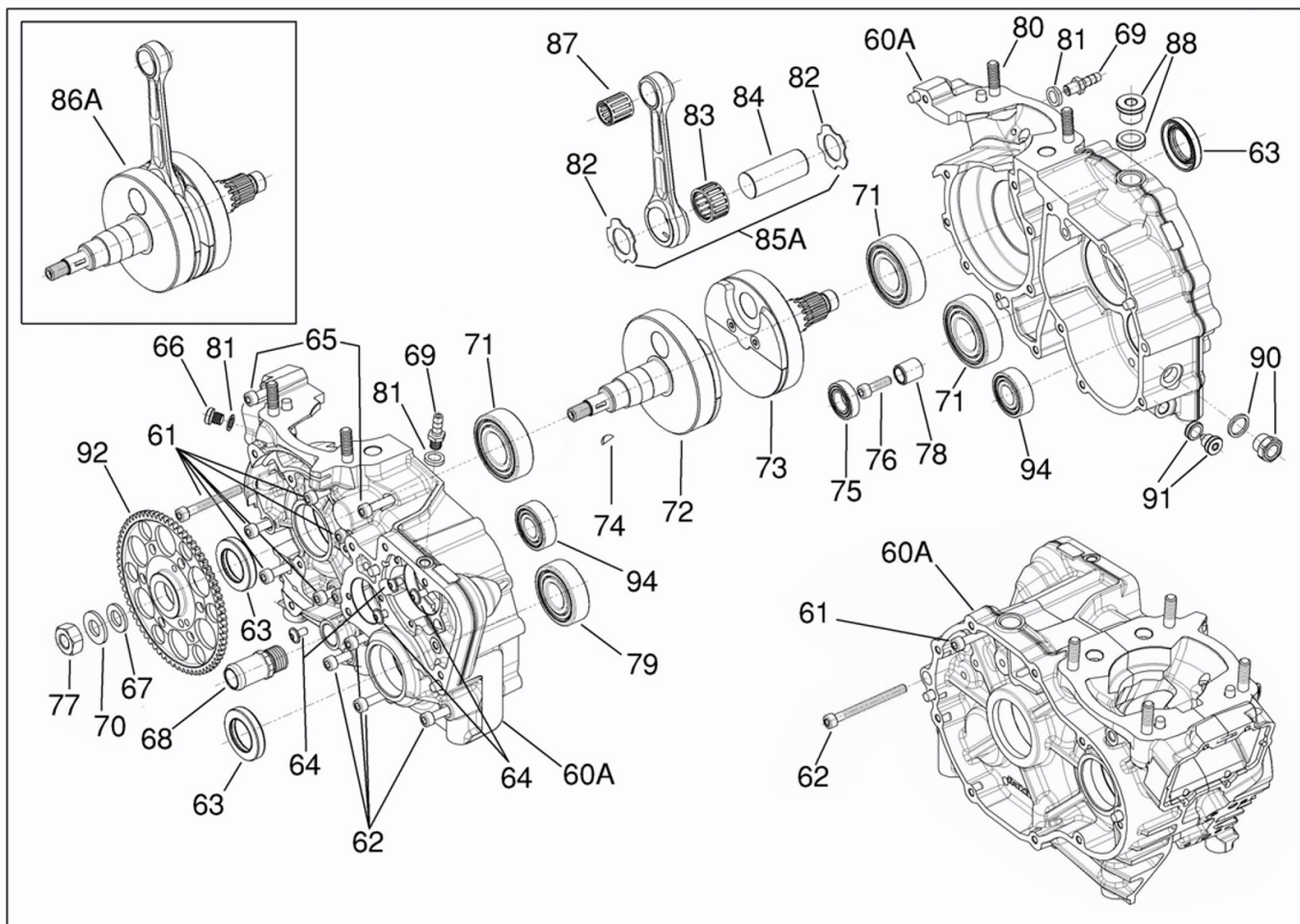


KT-001

RICAMBI / SPARES

POS	COD	DESCR
050	IFA-20950	PISTON PIN REEDSTER/KZ
051	IFA-21050	CIRCLIP REEDSTER/KZ
052A	IZA-20600A-53.81CR	PISTON KZ 53.81r
052A	IZA-20600A-53.81CV	PISTON KZ 53.81v
052A	IZA-20600A-53.83CR	PISTON KZ 53.83r
052A	IZA-20600A-53.83CV	PISTON KZ 53.83v
052A	IZA-20600A-53.85CR	PISTON KZ 53.85r
052A	IZA-20600A-53.85CV	PISTON KZ 53.85v
052A	IZA-20600A-53.87CR	PISTON KZ 53.87r
052A	IZA-20600A-53.87CV	PISTON KZ 53.87v
052A	IZA-20600A-53.89CR	PISTON KZ 53.89r
052A	IZA-20600A-53.89CV	PISTON KZ 53.89v
052A	IZA-20600A-53.91CR	PISTON KZ 53.91r
052A	IZA-20600A-53.91CV	PISTON KZ 53.91v
052A	IZA-20600A-53.93CR	PISTON KZ 53.93r
052A	IZA-20600A-53.93CV	PISTON KZ 53.93v
052A	IZA-20600A-53.97CR	PISTON KZ 53.97r
052A	IZA-20600A-53.97CV	PISTON KZ 53.97v
052A	IZA-20600A-53.99CR	PISTON KZ 53.99r
052A	IZA-20600A-53.99CV	PISTON KZ 53.99v

CRANKCASE & CRANKSHAFT

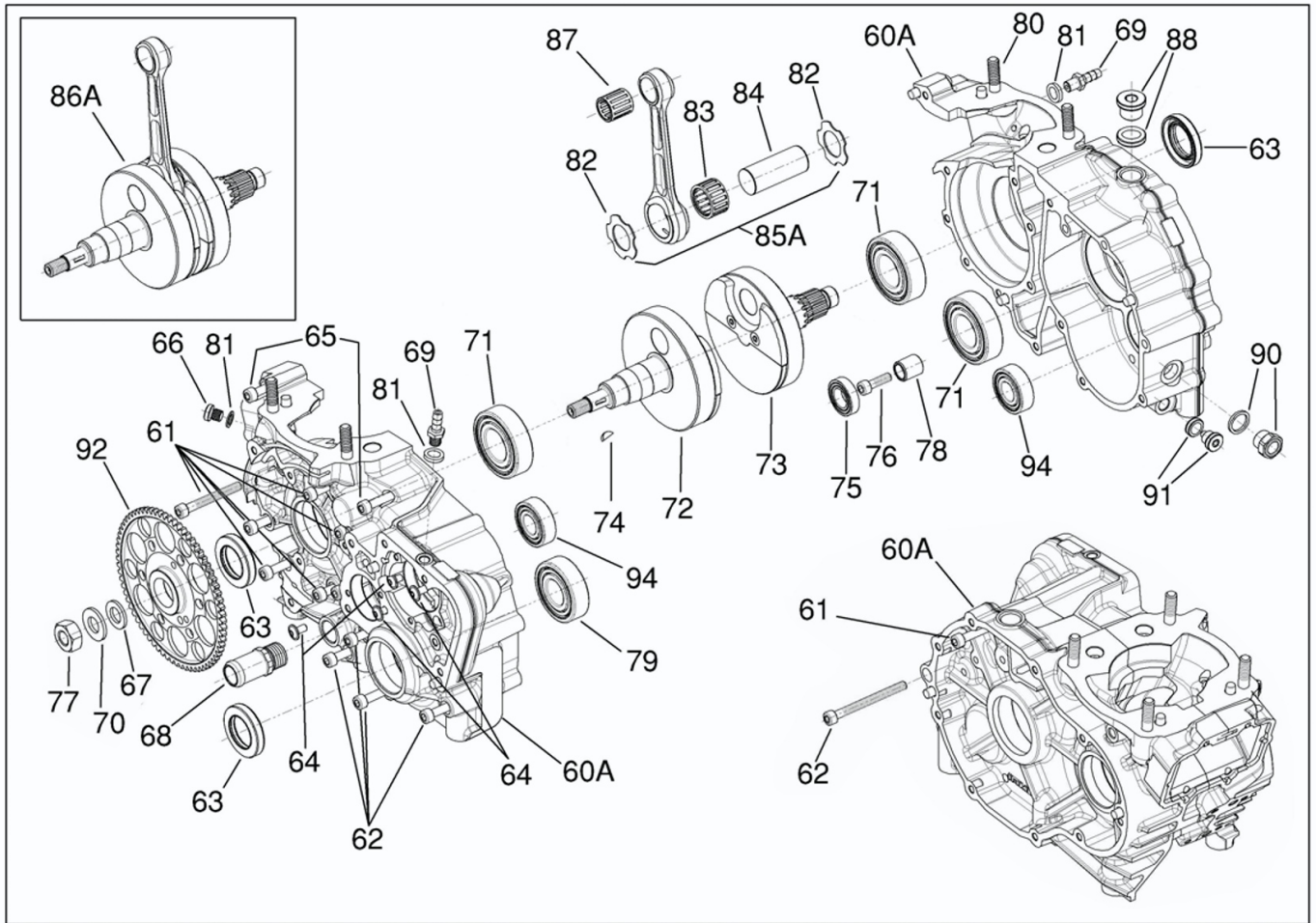


KT-003

RICAMBI / SPARES

POS	COD	DESCR
060A	IZB-01040-C	CRANKCASE X30 SHIFTER TaG
061	00050-K	KIT OF 20 ALLEN SCREWS 6x50
062	00053-K	20 SCREWS KIT M6X65
063	X30125425A	OIL SEAL MAGN./DRIVE SIDE
064	00280-K	20 SCREWS KIT W/FLANGE M5x10
065	00048-K	KIT OF 20 ALLEN SCREWS 6x40
066	X30125490	PRESSURE PLUG
067	00342-K	KIT 20 WASHERS -10,5x18x0,8
068	IFA-40500	WATER PIPE FITT. REEDST./KZ
069	D-95800	PRESSURE FITTING
070	00305-K	KIT OF 20 WASHERS M10
071	35396-A	BALL BEARING 6205 C4
072	IZC-30140	HALFCRANK. SHIFTER IGNIT. SIDE
073	IZC-20140	HALFCRANKSHAFT DRIVE SIDE
074	11715	SHAFT END/SPROCKET/MAGNETO KEY
075	IZF-90455	BALL-BEARING 61902 T9C4
076	00044-K	KIT 20 ALLEN SCR. CYL. H. 6x20
077	00382	NUT M10x1
078	IZF-22300	SHIFTING DRUM SUPPORT
079	10400-D	BALL BEARING 6204 C4
080	IFA-20200	FIXING HEAD STUDBOLT REED/XTR
081	B-71805	PRESSURE Cu FITT. GASKET
082	X30125436	SILVER BRONZE WASHER
083	X30125431	BIG END CAGE
084	X30125450	CRANKPIN 20x48.8
085A	IZC-50100-C	CON-ROD COMPLETE 110mm
086A	IZC-00140	CRANKSHAFT X30 SHIFTER TAG
087	IFC-50350	SMALL END CAGE REEDSTER/KZ
088	IZF-90500	PLUG TCE M16x1.5
090	IZB-90000	OIL LEVEL GAUGE

CRANKCASE & CRANKSHAFT

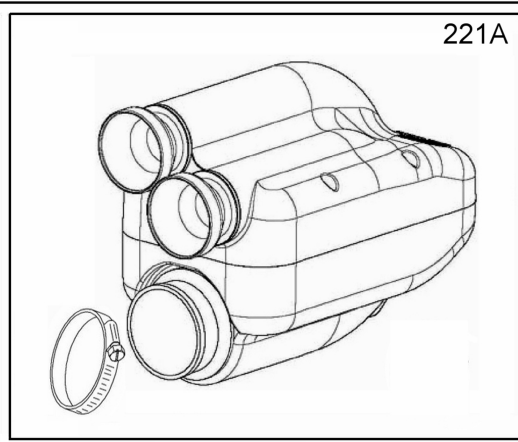
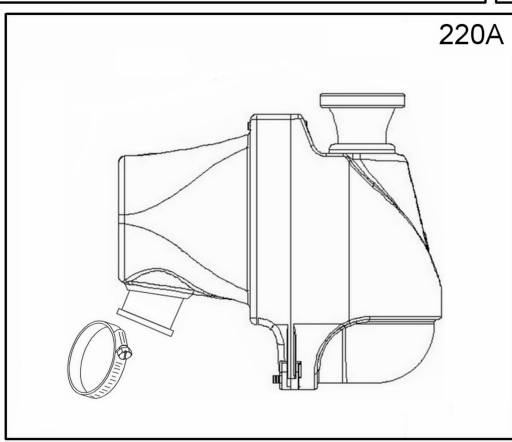
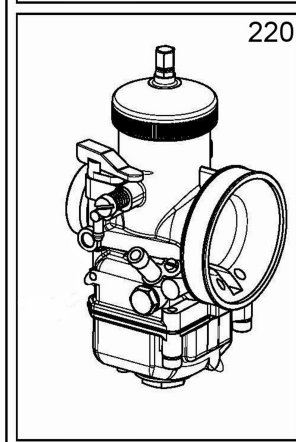
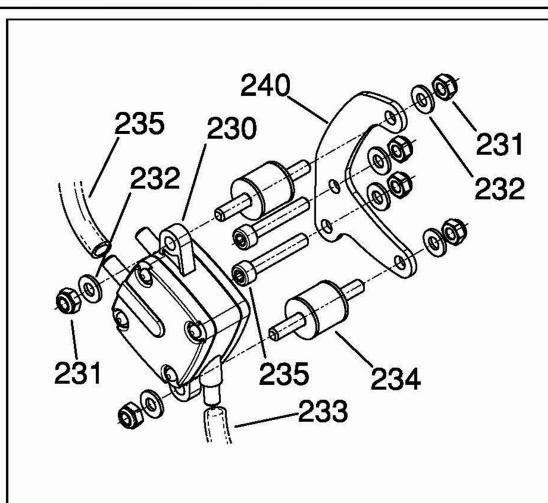
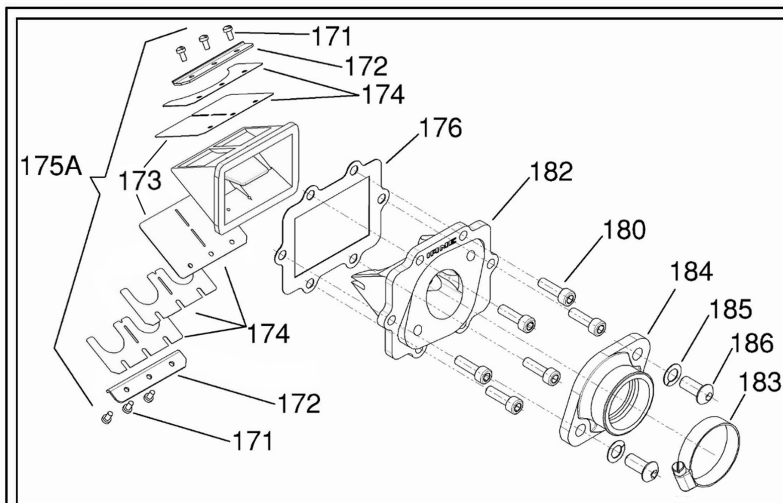


KT-003

RICAMBI / SPARES

POS	COD	DESCR
091	IZF-90505	MAGNETIC PLUG TCEM M10x1
092	IZI-30040	STARTER GEAR X30-SHIFTER TaG
094	IMB-20100	BALL BEARING 6202 T1XC4

INLET TAG

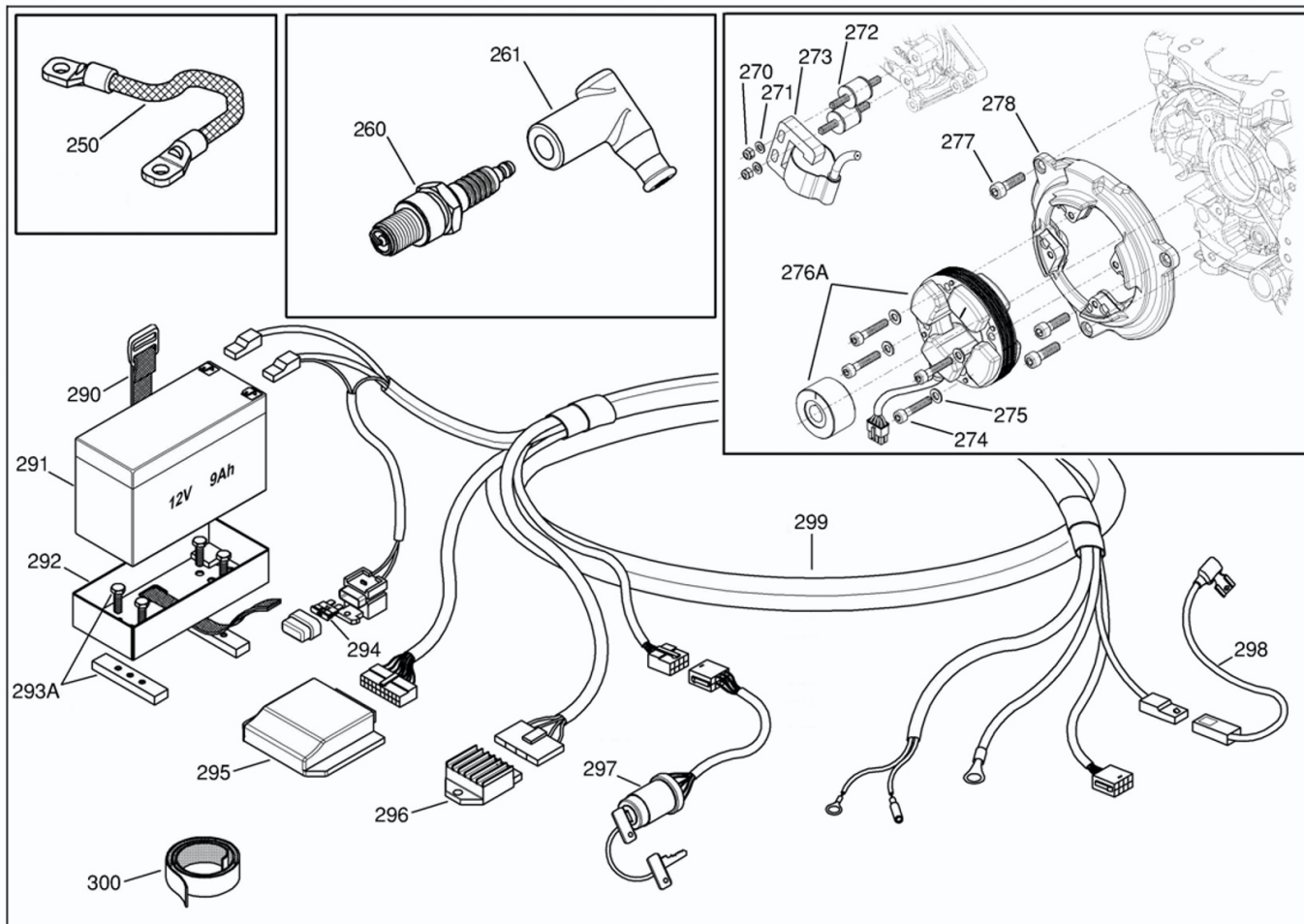


KT-004

RICAMBI / SPARES

POS	COD	DESCR
171	10380	REEDS SCREW
172	IZG-20200	REED PETALS LOCKING PLATE
173	IZG-20300-C1	CARBO REED PETAL KIT KZ
174	IZG-20300-C	CARBO REED PETAL KIT KZ
175A	IZG-02000	REED VALVE ASSEMBLY KZ
176	IZB-41100	CONVEYOR GASKET KZ
180	00044-K	KIT 20 ALLEN SCR. CYL. H. 6x20
182	IZB-41040	CONVEYOR X30 SHIFTER TaG
183	IFG-31100	CLAMP REEDSTER/XTR
184	IFG-30900	CARB.MANIFOLD XTR KF4
185	00322-K	20 WASHERS KIT M8
186	00269-K	20 SCREWS KIT TBEI M8x16
220	IFG-00100K	DELL'ORTO CARBURET. VHSH 30CS
220A	IZG-90005	AIR FILTER APE 1AG
221A	IZG-90005A	INLET SILENCER NOX R&R 30mm
221A	IZG-90006	INLET SILENCER NOX R&R 23mm
230	IZG-90000	FUEL PUMP
231	00378-K	20 SELF LOCKING NUTS KIT M6
232	00302-K	20 WASHERS KIT M6
233	A-61810-A	PRESSURE FITT.TUBE 20cm
234	IFG-40800	DAMPENER REEDSTER/XTR/MINI
235	00047-K	KIT OF 20 ALLEN SCREWS 6x35
240	IZG-40700	FUEL PUMP SUPPORT PLATE

TaG IGNITION AND WIRING

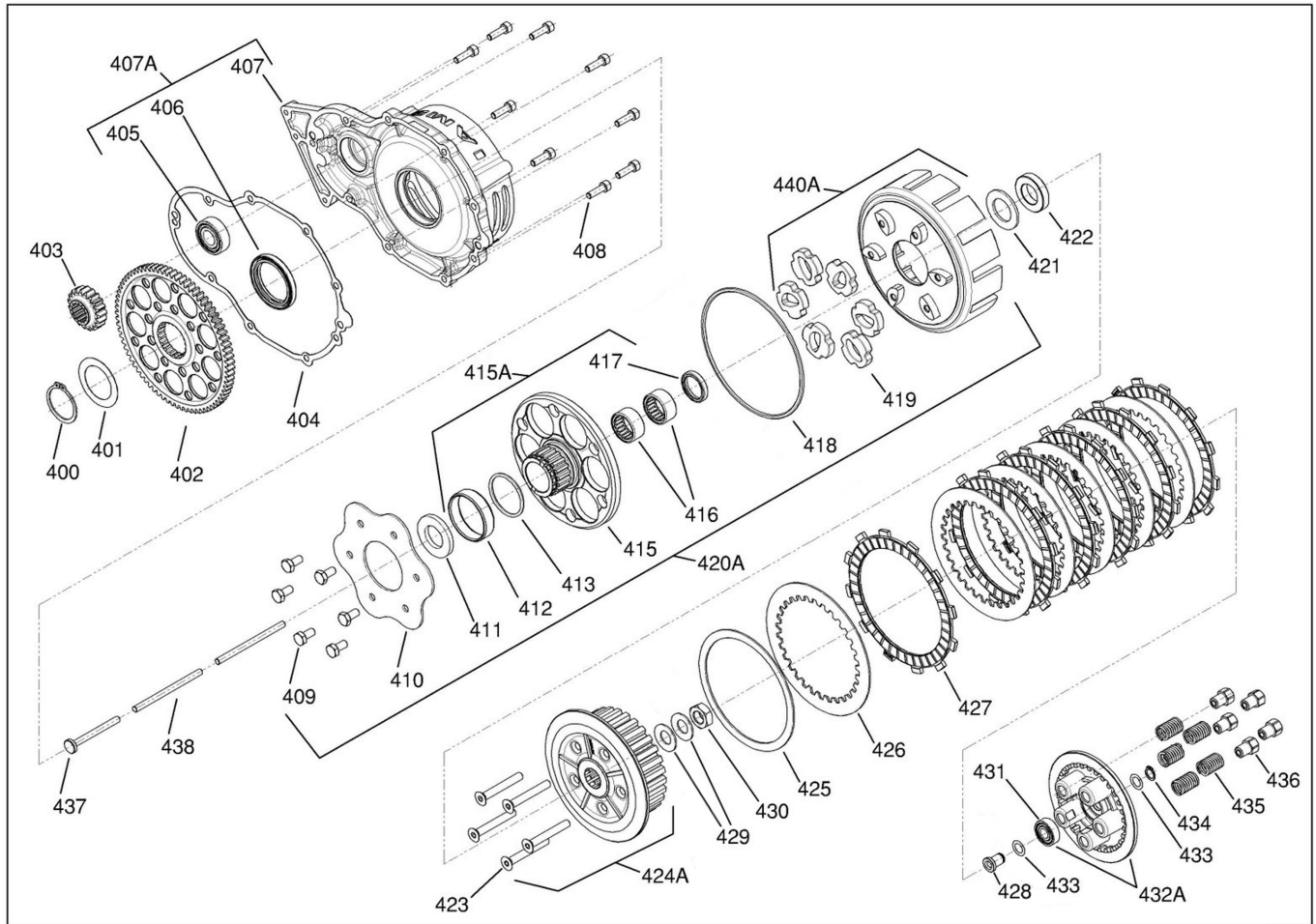


KT-006

RICAMBI / SPARES

POS	COD	DESCR
250	B-35805-A	COIL GROUND CABLE
260	10561-A	SPARK PLUG NGK BR10EG
261	10544	PVL SPARK CAP
270	00376-K	20 SELF LOCK.NUTS KIT M5
271	00301-K	KIT 20 WASHERS M5
272	B-35810	COIL DAMPENER PVL
273	X30125955	SELETTA COIL K
274	00034-K	KIT OF 20 ALLEN SCREWS 5x25
275	00301-K	KIT 20 WASHERS M5
276A	X30125950	SELETTA IGNITION PAR-X30
277	00044-K	KIT 20 ALLEN SCR. CYL. H. 6x20
278	IZB-40440	DIGITAL K IGNITION SUPPORT
290	A-60904A	FIXING STRIP FOR BATTERY
291	X30125900	SPARE PART F
292	X30125905	BATTERY SUPPORT
293A	X30125906-C	BATTERY SUPP.CLAMP W/SCREWS
294	X30125942	FUSIBLE 5A X30
295	X30125930Z1	X30 SHIFTER TAG DIG- POWER BOX
296	IFE-05200	STARTER RELAY n.t.
297	X30125936-C	STARTER KEYS ASSEMBLY
298	A-60934A	STARTER CABLE
299	IFE-05000	KIT CABLES W/CONNECT.
300	X30125925	VELCRO FIXING STRAP

CLUTCH GROUP

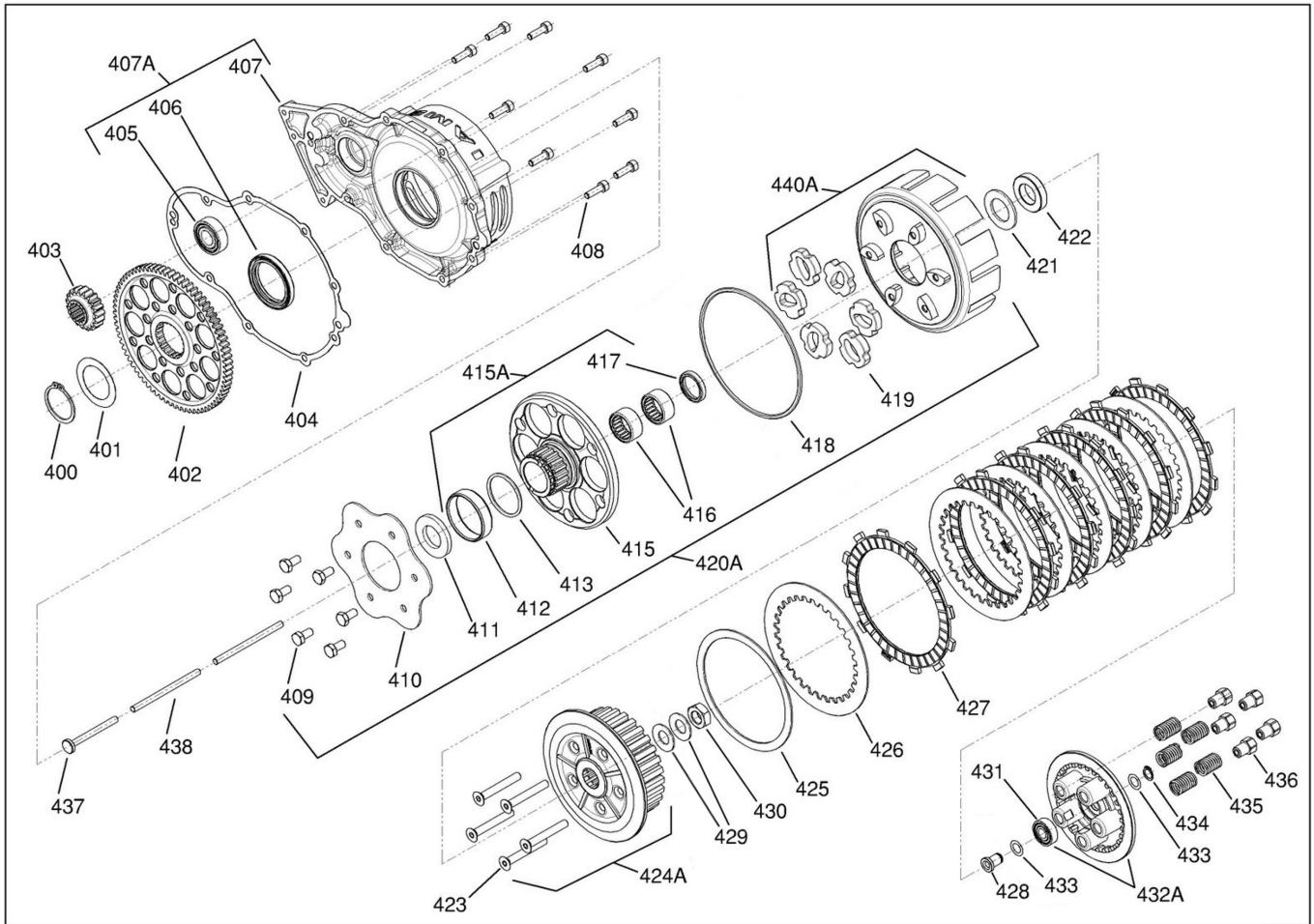


KT-007

RICAMBI / SPARES

POS	COD	DESCR
400	IZF-90070	SEEGER RING A35 DIN471
401	IZF-90060	SAFETY CONE SPRING
402	IZF-02400	PRIMARY DRIVEN GEAR
403	IZC-22400	PRIMARY TRANSMISS. SPROCKET
404	IZB-40300	PRIMARY TRANSM. COVER GASKET
405	IMB-20100	BALL BEARING 6202 T1XC4
406	IZF-90010	PRIMARY TRANSM. OIL SEAL
407A	IZB-40200-C	COVER CLUTCH SIDE KZ COMPL.
408	00044-K	KIT 20 ALLEN SCR. CYL. H. 6x20
409	00161-K	KIT OF 20 HEX. SCREWS 6x12
410	IZF-00900	SHOCK ABSORBER PLATE
411	IZF-90080	SPACER RING PS 22x32x1
412	IZF-01100	OIL SEAL BUSH
413	IZF-90030	O-RING 3131 FPM 75
415A	IZF-01000-C	COMPL. SHOCK ABSORBER HUB
416	IZF-90000	NEEDLE BEARING
417	IZF-90015	OIL SEAL G20x26x4B
418	IZF-90035	OIL SEAL
419	IZF-00800	DAMPER SHOCK ABSORBER
420A	IZF-00200	SHOCK ABSORBERS ASSEMBLY
421	IZF-02500	SHIM PRIMARY DRIVEN GEAR
422	IZF-02200	CLUTCH DRUM SPACER
423	00129-K	20 FLATHEAD SCREWS KIT M6x45
424A	IZF-05000	CLUTCH DRUM WITH SCREWS
425	IZF-02100	SAFETY CONE SPRING
426	IZF-00700	BARE CLUTCH DISC
427	IZF-00600	PADDED CLUTCH DISC
428	IZF-01400	THRUST BEARING PLATE

CLUTCH GROUP

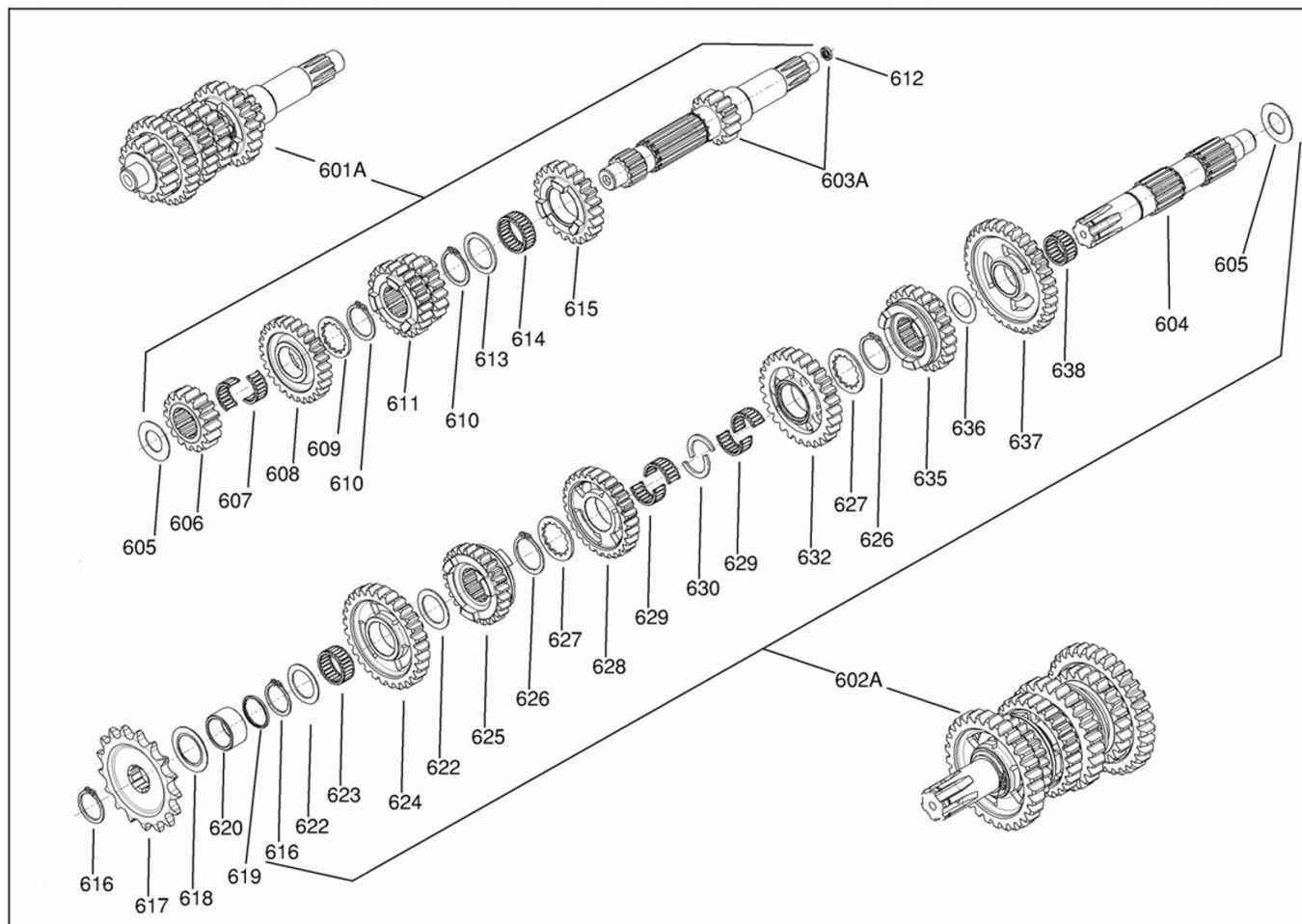


KT-007

RICAMBI / SPARES

POS	COD	DESCR
429	IZF-90040	SAFETY CONE SPRING
430	00364	NUT M14x1
431	IZF-90460	THRUST BEARING PLATE
432A	IZF-04000	PRESS. PLATE W/ BALL BEARING
433	IZF-90090	SPACER RING
434	IZF-90065	SEEGER RING A10 DIN471
435	IZF-01200	CLUTCH SPRING
436	IZF-01300	CLUTCH SPING RETAINER
437	IZF-01600	CLUTCH PUSH PLATE
438	IZF-01500	PUSH ROD CLUTCH
440A	IZF-00300	CLUTCH DRUM W/SHOCK ABSORB.

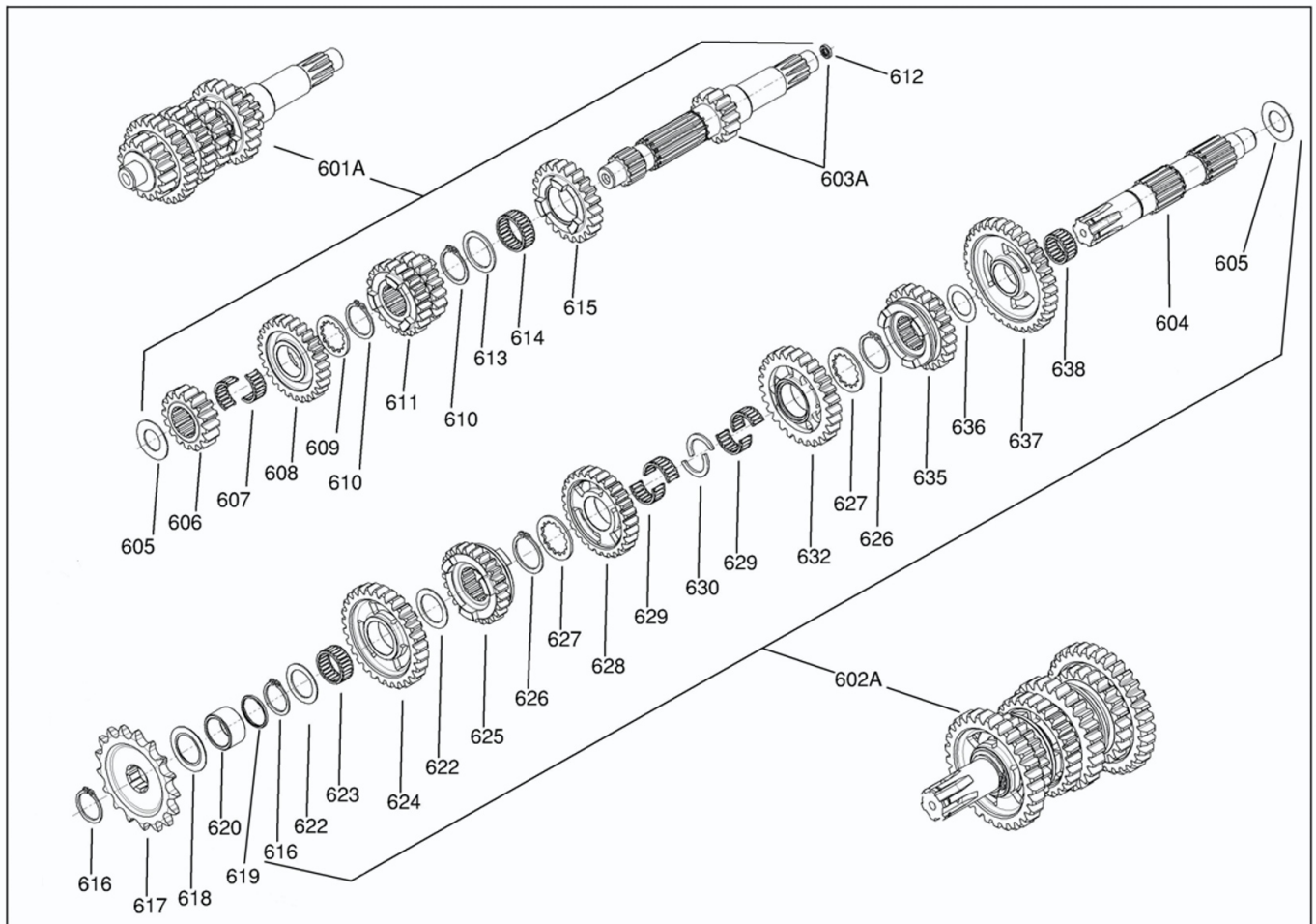
SPEED GEAR ASSEMBLY and GEARS



RICAMBI / SPARES

POS	COD	DESCR
601A	IZF-30000	COMPLETE PRIMARY SHAFT
602A	IZF-31000	COMPLETE SECONDARY SHAFT
603A	IZF-20100-C	PRIMARY SHAFT WITH RING
604	IZF-20200	SECONDARY SHAFT
605	IZF-21900	SHIM PRIMARY/SECONDARY SHAFT
606	IZF-20300	2ND G. DRIVE GEAR
607	IZF-20450	SPLITTED ROLLER CAGE K18x22x10
608	IZF-20600	6th G. DRIVE GEAR
609	IZF-21400	SPLINED SHIM 6th SPEED
610	IZF-90045	SEEGER RING A22 DIN471
611	IZF-20400	3rd/4th G. DRIVE GEAR
612	IZF-90020	OIL SEAL GR5x9x2
613	IZF-21300	5th GEAR SHIM
614	IZF-20452	ROLLER CAGE
615	IZF-20500	5th G. DRIVE GEAR
616	IZF-90055	SEEGER RING A20 DIN471
617	IZF-25800	SPROCKET z15
617	IZF-25900	SPROCKET z16
617	IZF-26000	SPROCKET z17
617	IZF-26100	SPROCKET z18
617	IZF-26200	SPROCKET z19
617	IZF-26300	SPROCKET z20
618	IZF-90120	SAFETY CONE SPRING "AL"
619	IZF-90025	O'RING 2075 NBR 70
620	IZF-25300	CHAIN SPROCKET SPACER
622	IZF-90075	SPACER RING
623	IZF-90400	ROLLER CAGE K20
624	IZF-20800	2nd G. DRIVEN GEAR
625	IZF-21200	6th G. DRIVEN GEAR
626	IZF-90050	SEEGER RING A24 DIN471

SPEED GEAR ASSEMBLY and GEARS

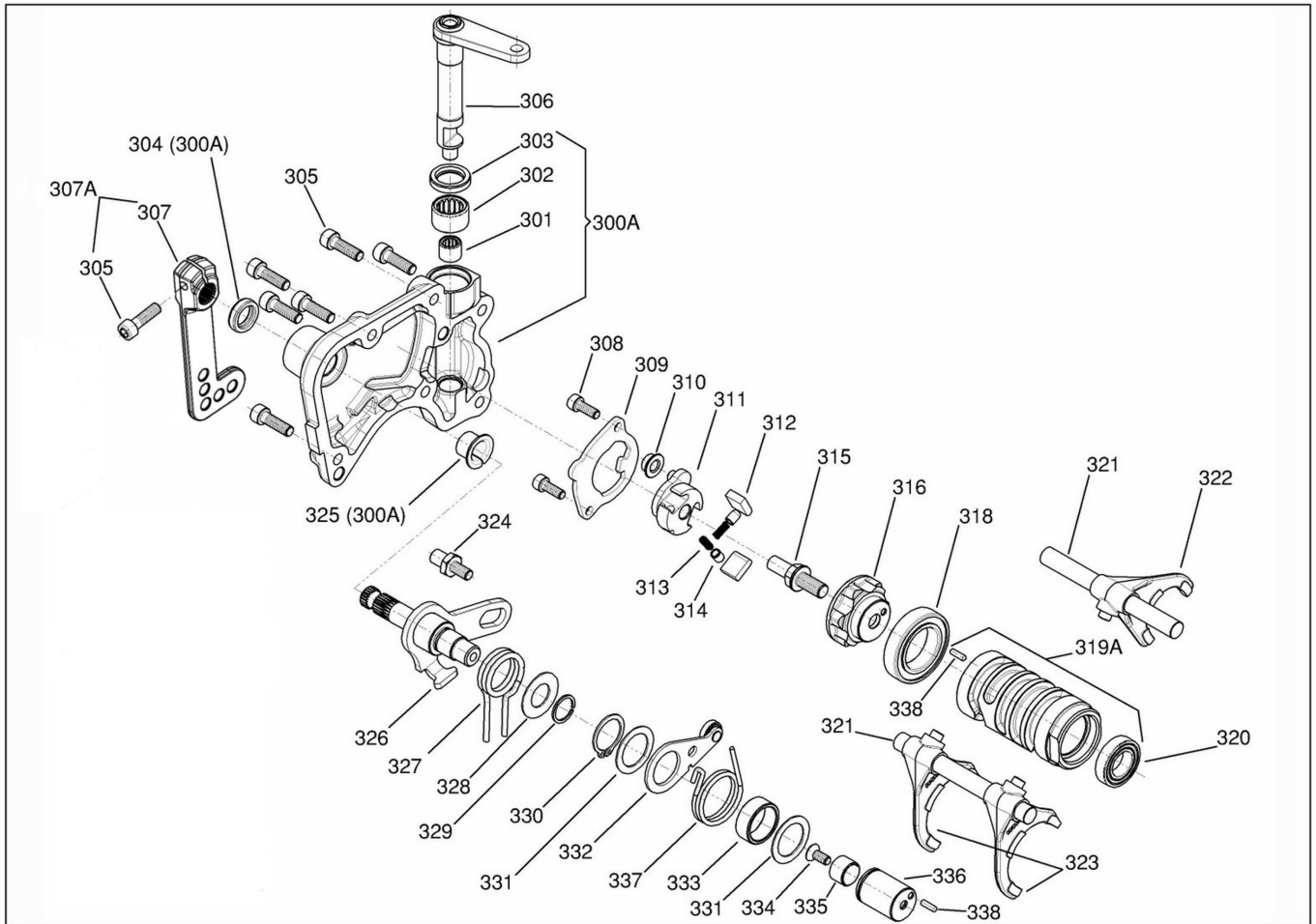


KT-008

RICAMBI / SPARES

POS	COD	DESCR
627	IZF-21700	SPLINED SHIM 21x32x0.8
628	IZF-21000	4th G. DRIVEN GEAR
629	IZF-20451	SPLIT. ROLLER CAGE K20x24x10
630	IZF-21800	HALF SHIM 3rd / 4th SPEED
632	IZF-20900	3rd G. DRIVEN GEAR
635	IZF-21100	5th G. DRIVEN GEAR
636	IZF-21500	SHIM 1st SPEED
637	IZF-20700	1st G. DRIVEN GEAR
638	IZF-90405	ROLLER CAGE K17

SELECTOR ASSEMBLY

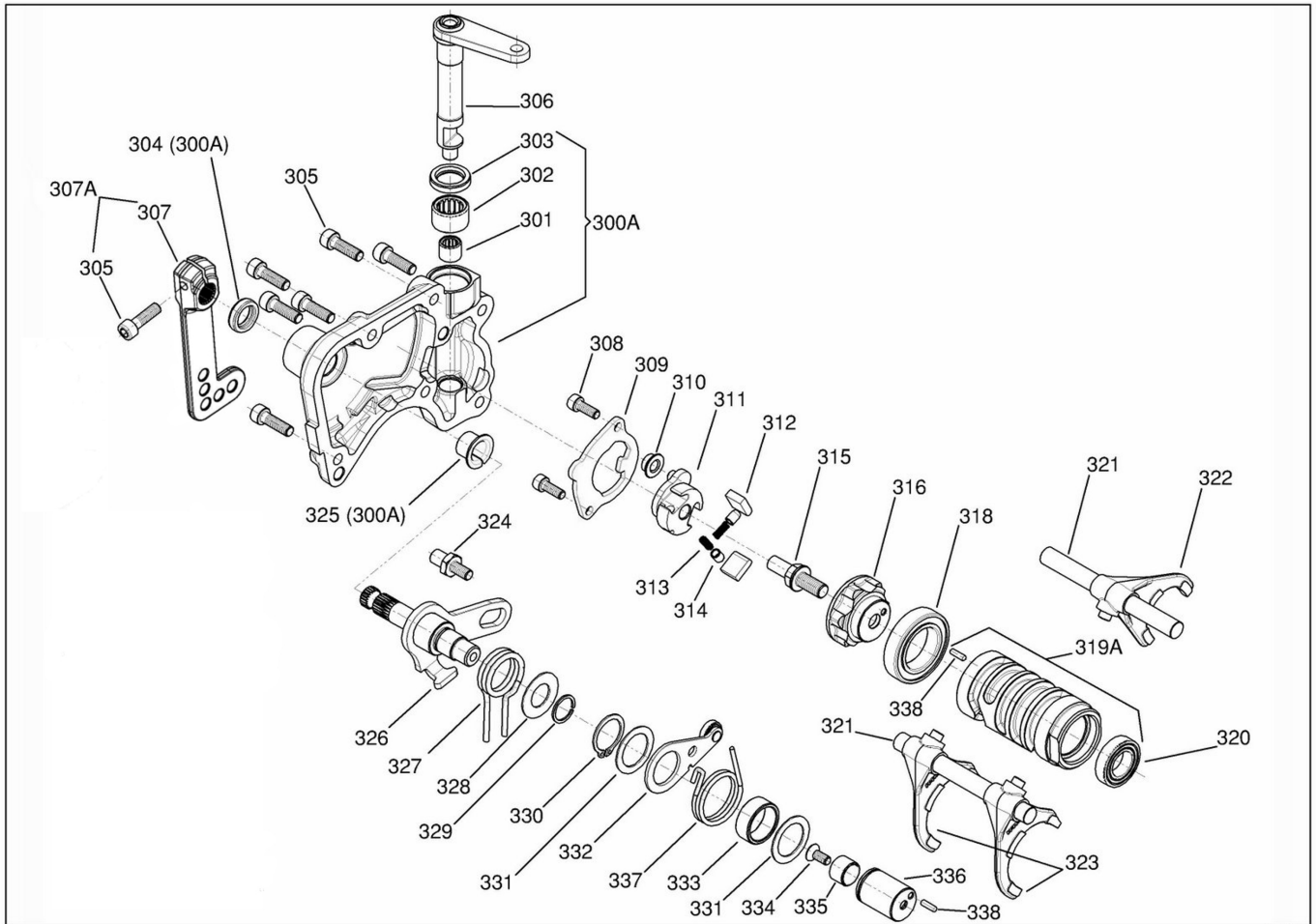


KT-009

RICAMBI / SPARES

POS	COD	DESCR
300A	IZB-05000	COMPLETE SELECTOR COVER
301	A-60865	ROLLER CAGE TaG
302	IZF-90410A	NEEDLE BEARING HK1412
303	IZF-90125	OIL SEAL
304	IZF-90115	OIL SEAL
305	00044-K	KIT 20 ALLEN SCR. CYL. H. 6x20
306	IZF-01800	CLUTCH CONTROL LEVER
307A	IZF-24901-C	SHIFT LEVER WITH SCREW
308	00062-K	SOCKET SCREW M5x14
309	IZF-23800	RATCHET PLATE
310	IZF-23700	SPRING LATCH SUPP. BUSH
311	IZF-23000	RATCHET SUPPORT
312	IZF-23400	SHIFTING RATCHET
313	IZF-23601	RATCHET PUSH PAD
314	IZF-23500	PUSH ROD RATCHET
315	IZF-22900	SHIFTER PIN
316	IZF-22000	PRESELECTOR CAM
318	IZF-90450	BALL BEARING 6905 T1xC3
319A	IZF-22200-C	LIGHTENED SHIFTING DRUM
320	IZF-90455	BALL-BEARING 61902 T9C4
321	IZF-22800	FORKS GUIDE SHAFT
322	IZF-22400	SHIFTING PRIMARY FORK
323	IZF-22600	SHIFTER SECONDARY FORK
324	IZF-24800	RETAINER SPRING
325	IZF-90105	FLANGED BUSH
326	IZF-23100	PRESELECTOR CONTROL SHAFT
327	IZF-24000	PRESELECTOR SHAFT SPRING
328	IZF-25700	SPRING WASHER
329	IZF-90100	ELASTIC RING SW14

SELECTOR ASSEMBLY



KT-009

RICAMBI / SPARES

POS	COD	DESCR
330	IZF-90055	SEEGER RING A20 DIN471
331	IZF-90075	SPACER RING
332	IZF-24600	LOCATING LEVER
333	IZF-24500	GEAR POSITION SPACER
334	00111-K	20 SCREWS KIT TORX M5x10
335	IZF-90110	BUSH MU TFP 1210
336	IZF-24100	SHIFTER PIN BUSH SUPPORT
337	IZF-24700	LOCATION LEVER SPRING
338	IZF-90085	NEEDLE IKO N3x9.8 AB2

COOLING SYSTEM

700A

n° 10

701

702

710A

DIAMETRI - DIAMETERS - DIAMETRES

Y= 28mm : Kit n° T-8117-C
Y= 30mm : Kit n° T-8117-C1
Y= 32mm : Kit n° T-8117-C2

720A

730

740A

750A

NOTE
Il gruppo POMPA comprende il SUPPORTO, la PULEGGIA e gli ANELLI di gomma.
The PUMP group includes CLAMP, PULLEY and rubber RINGS.
Le groupe POMPE comprend le SUPPORT, la POULIE et les COURROIES.

DIAMETR I - DIAMETERS - DIAMETRES

K=30mm + W=30mm : Kit n° T-8202-C
K=30mm + W=35mm : Kit n° T-8202-C1
K=30mm + W=40mm : Kit n° T-8202-C2
K=32mm + W=40mm : Kit n° T-8202-C3
K=32mm + W=35mm : Kit n° T-8202-C4
K=30mm + W=50mm : Kit n° T-8202-C5
K=32mm + W=50mm : Kit n° T-8202-C6
K=32mm + W=30mm : Kit n° T-8202-C7

IMPIANTO PER RAFFREDDAMENTO A LIQUIDO
WATERCOOLED ENGINE DEVICE
EQUIPEMENT REFROIDISSEMENT LIQUIDE

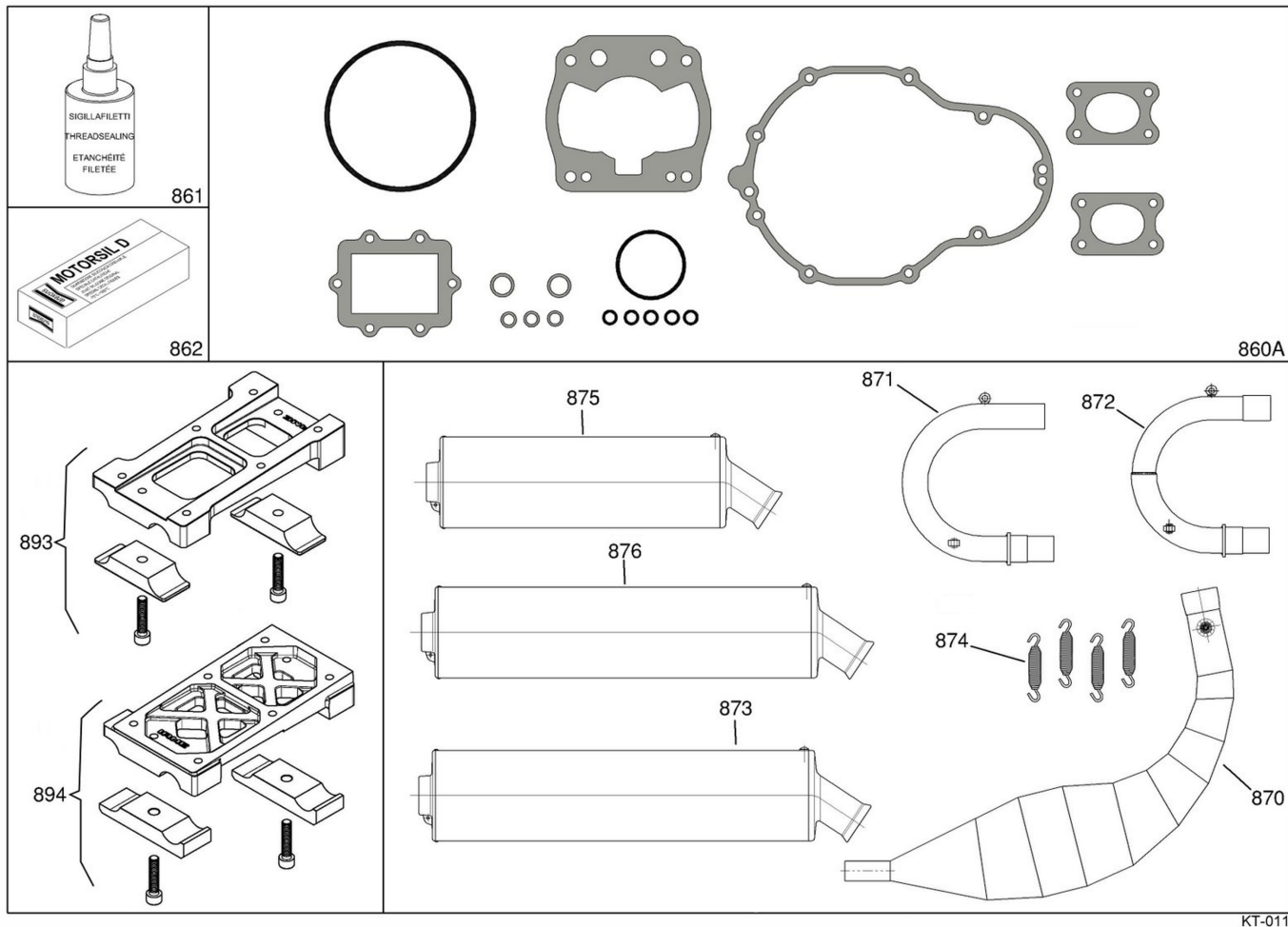
SCHEMA DI MONTAGGIO
ASSEMBLY LAYOUT
SCHEMA DE MONTAGE

KT-010

RICAMBI / SPARES

POS	COD	DESCR
700A	IFI-50400-K	WATER PIPES KIT
701	IFI-51000	3 WAYS FITTING KF1-2-3
702	IFI-05900	3 WAYS THERMOSTAT KF1-2-3
710A	T-8117-C	RADIATOR CLAMP KIT mm 28
710A	T-8117-C1	RADIATOR CLAMP KIT mm 30
710A	T-8117-C2	RADIATOR CLAMP KIT mm 32
720A	IFI-52300-K	RADIATOR SUPP.KIT KF1-2-3
730	IFI-05000	REEDSTER RADIATOR/XTR
740A	IFI-05000-K	COOLING KIT REEDSTER
750A	T-8202-C	PUMP GROUP mm 30/30
750A	T-8202-C1	PUMP GROUP mm 30/35
750A	T-8202-C2	PUMP GROUP mm 30/40
750A	T-8202-C3	PUMP GROUP mm 32/40
750A	T-8202-C4	PUMP GROUP mm 32/35
750A	T-8202-C5	PUMP GROUP mm 30/50
750A	T-8202-C6	PUMP GROUP mm 32/50
750A	T-8202-C7	PUMP GROUP mm 32/30

EXHAUST GROUP & GASKETS SET

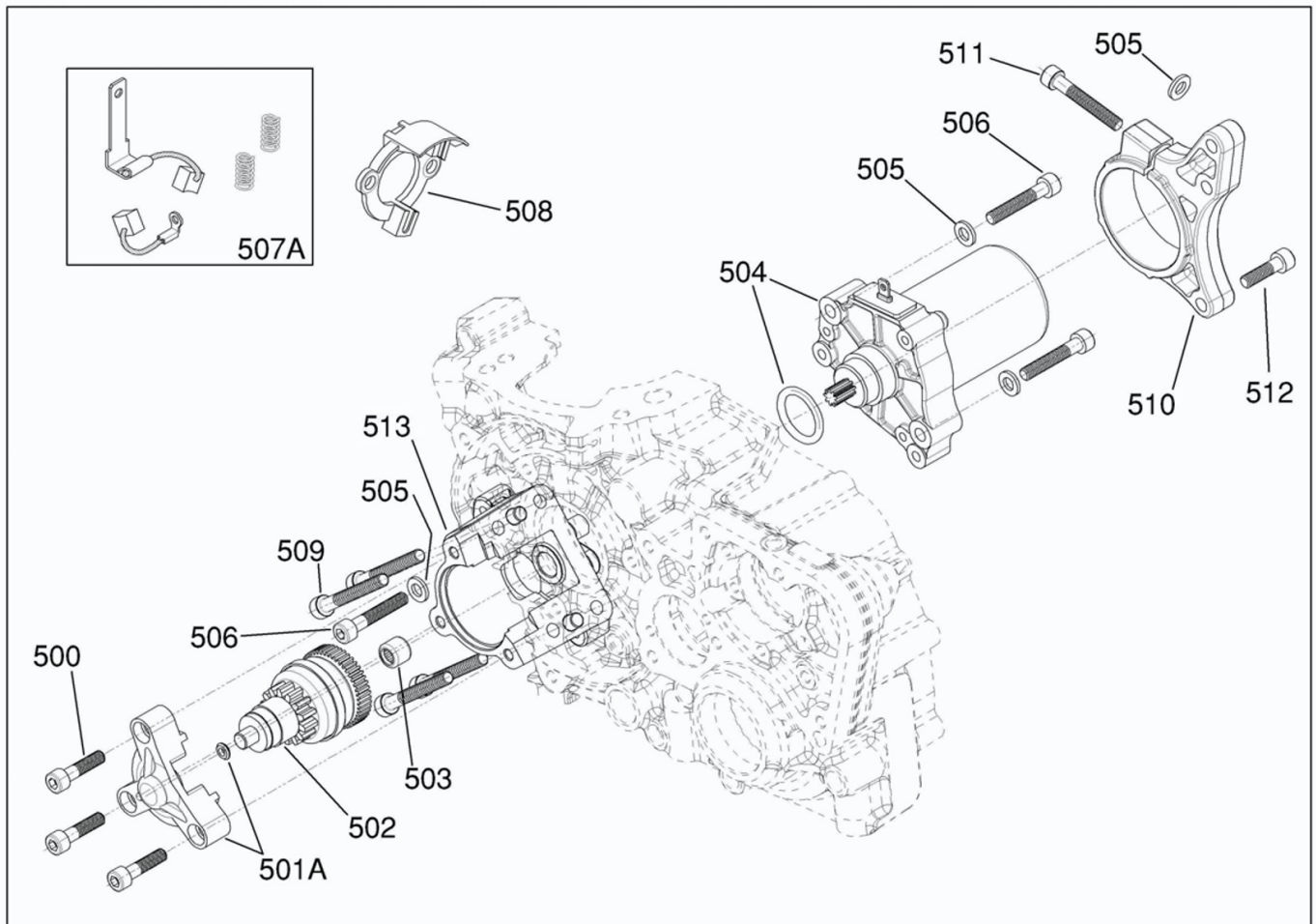


KT-011

RICAMBI / SPARES

POS	COD	DESCR
860A	IZZ-125990	GASKETS SET KZ
861	00600	LIQUID PIPE FITTING SEAL
862	00602	LIQUID GASKET AREXON
870	IZH-04000	EXHAUST MUFFLER KZ STANDARD
871	IZH-06100	SILENCER HEADER KZ 28mm
872	IZH-06101	EXHAUST HEADER KZ 26/28mm
873	IZH-06000	ELTO SILENCER 125S KZ
874	IFH-55100	FLEXIBLE SPRING KF1-2
875	IZH-06000B	Short SILENCER TEXALIO
876	IZH-06000A	MC 125cc SILENCER
893	IZB-50002	ENGINE MOUNT ALU 3° W/CLAMPS
894	IZB-50004	ENGINE MOUNT MAG 3° W/CLAMPS

ELECTRIC STARTER GROUP

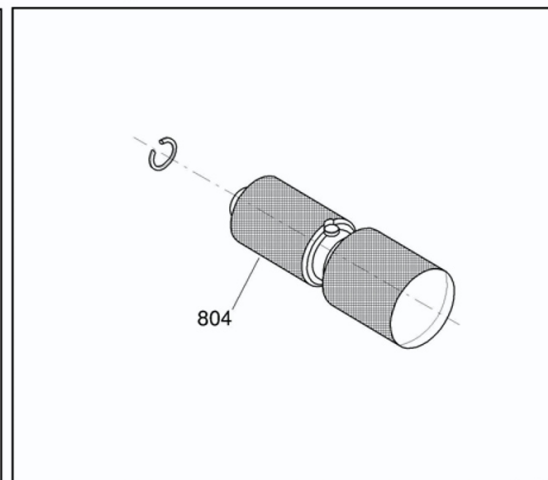
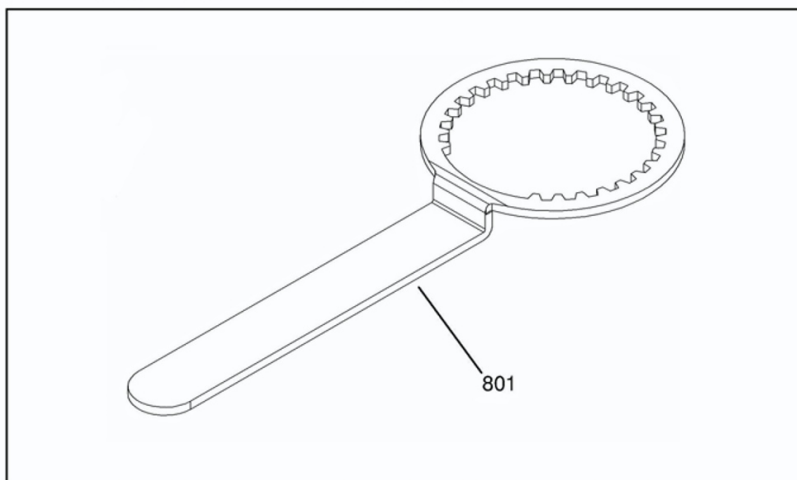
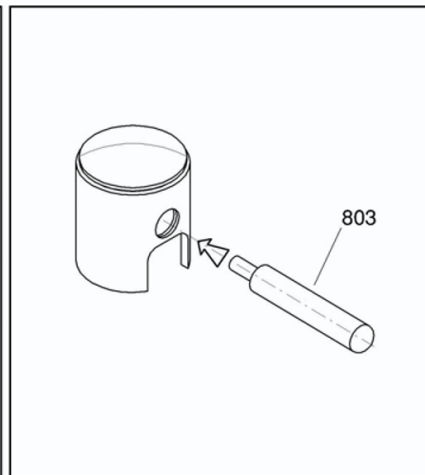
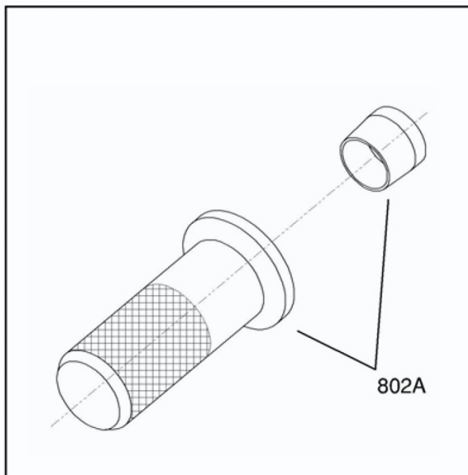
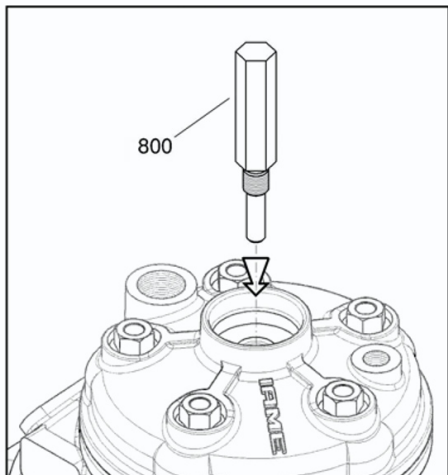


KT-005

RICAMBI / SPARES

POS	COD	DESCR
500	00045-K	20 SOCKET HEADSCREWS M6X25 KIT
501A	IFE-60100-K	KF1-2-3 COUNTERSHAFT SUPP.
502	A-120855B	COUNTERSHAFT TaG
503	A-60865	ROLLER CAGE TaG
504	A-120850B	STARTER TaG
505	00302-K	20 WASHERS KIT M6
506	00047-K	KIT OF 20 ALLEN SCREWS 6x35
507A	A-60852A-C	KIT OF 20 BRUSHES FOR STARTER
508	A-120852	BRUSHES SUPPORT
509	00050-K	KIT OF 20 ALLEN SCREWS 6x50
510	A-125863-C	STARTER SUPPL. SUPPORT
511	00048-K	KIT OF 20 ALLEN SCREWS 6x40
512	00044-K	KIT 20 ALLEN SCR. CYL. H. 6x20
513	IZE-50040	STARTER SUPPORT X30-

TOOLING



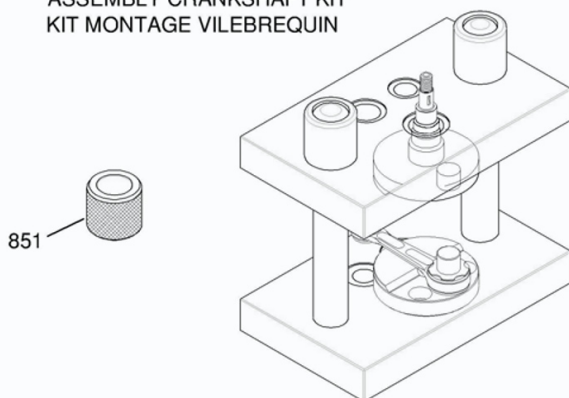
KT-012

RICAMBI / SPARES

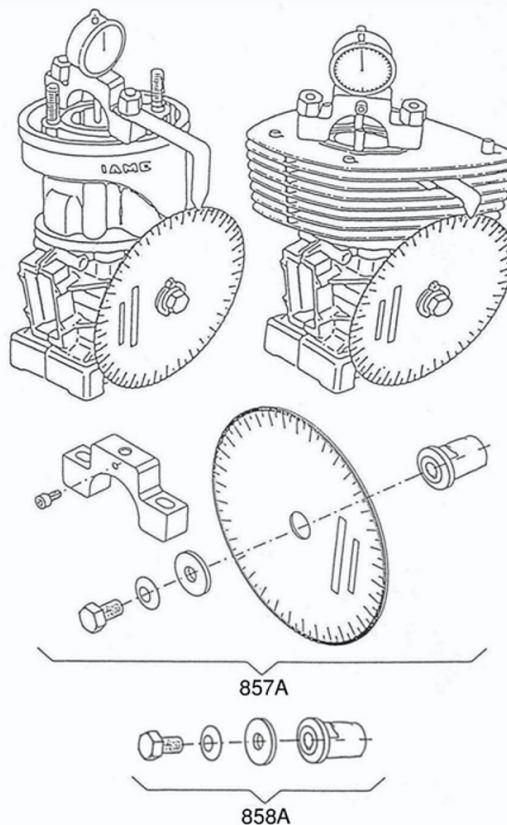
POS	COD	DESCR
800	10271	PISTON STROKE LOCKER
801	ATT-031/2	KZ CLUTCH LOCKING TOOL
802A	ATT-031/3	OIL SEAL MOUNTING TOOL
803	10200	PISTON PIN PUNCH 125cc
804	ATT-006	15mm CIRCLIP ASSEM.TOOL

ASS.CRANKSHAFT TOOL

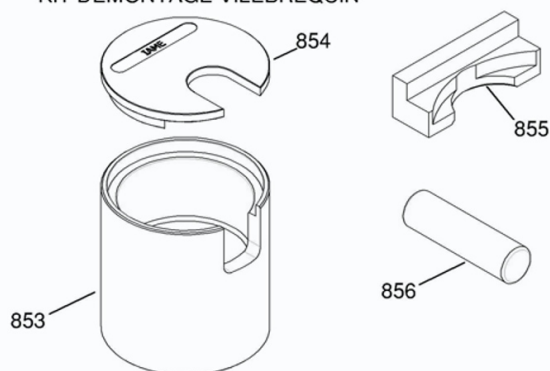
850A KIT MONTAGGIO ALBERO
ASSEMBLY CRANKSHAFT KIT
KIT MONTAGE VILEBREQUIN



GRUPPO CONTROLLO FASE
TIMING CONTROL GROUP
GROUPE CONTROL DISTRIBUTION



852A KIT SMONTAGGIO ALBERO
CRANK DISASSEMBLING KIT
KIT DEMONTAGE VILEBREQUIN



KT-013

RICAMBI / SPARES

POS	COD	DESCR
850A	10110A	CRANKSHAFT ASSY TOOL
851	10150A	CRANK-PIN BUSH mm20
853	10100	CRANKSH. DISASSY SUPPORT
854	10104A	CRANKSHAFT PLATE 125cc
855	10106	CRANKSHAFT INSERT 125cc
856	10107	CRANK-PIN PUSHER
857A	10820A	TIMING GROUP TaG/REEDSTER
858A	ATT-014-C	COMPLETE TIMING GROUP ADAPTER