

Parts Reference Catalog

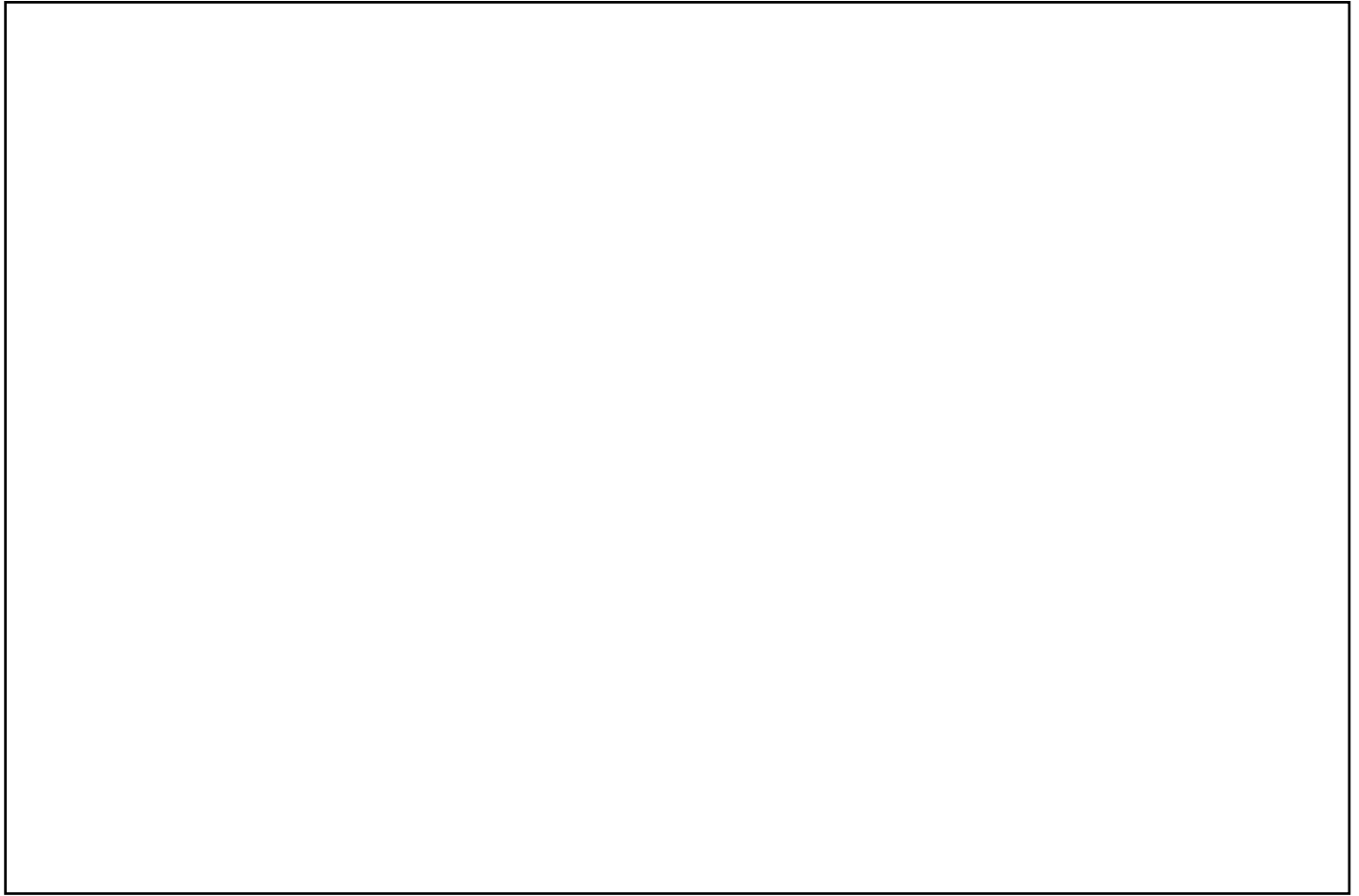
INDEX



- 01 CYLINDER
- 02 PISTON
- 03 CRANKSHAFT
- 04 COUNTERSHAFT
- 05 REED VALVE
- 06 CLUTCH
- 07 ENGINE STARTER
- 08 IGNITION
- 09 ELECTRONIC
- 10 EXHAUST SILENCER
- 11 ACCESSORIES

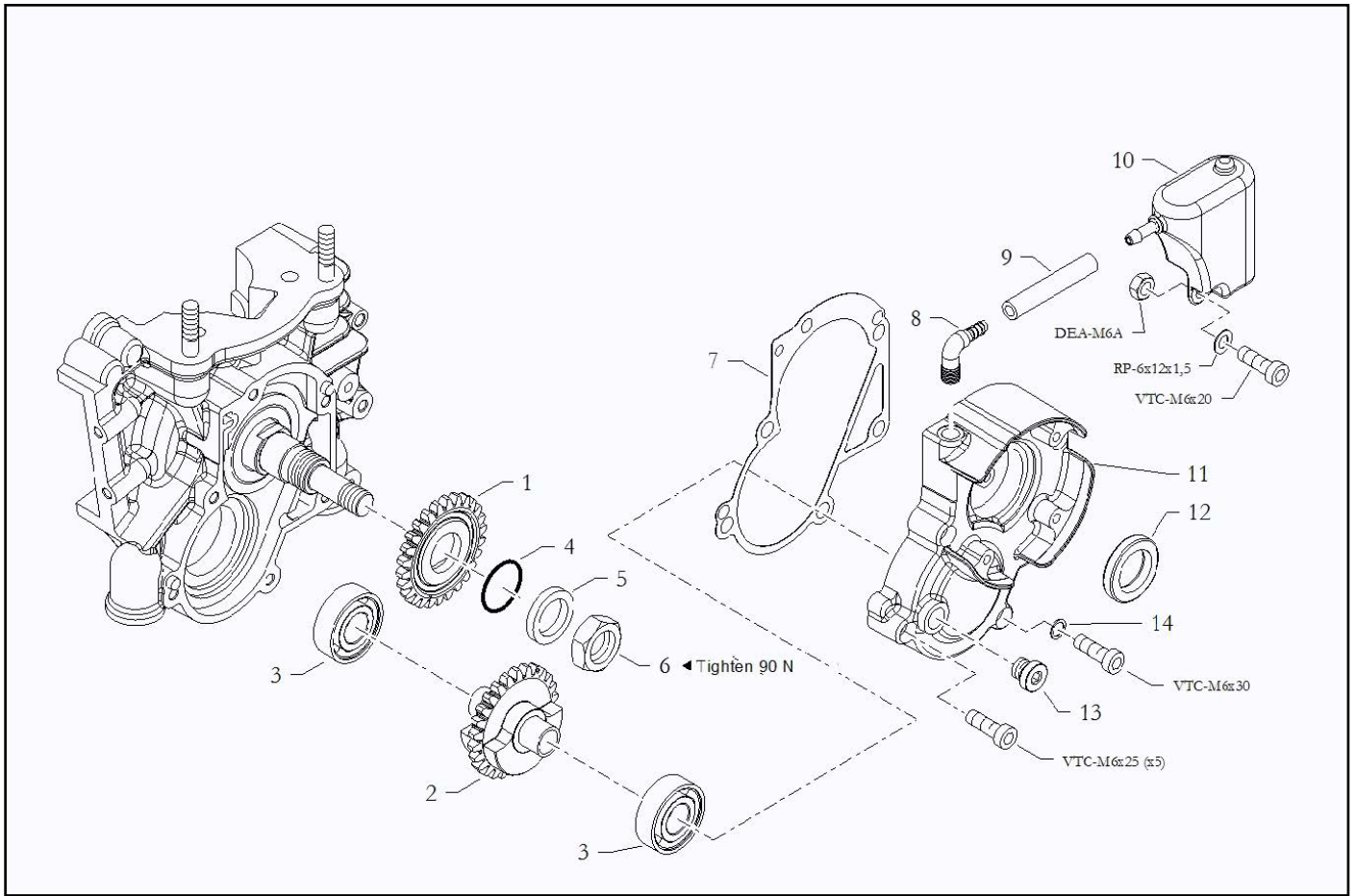
CATALOG 2018

CRANKSHAFT



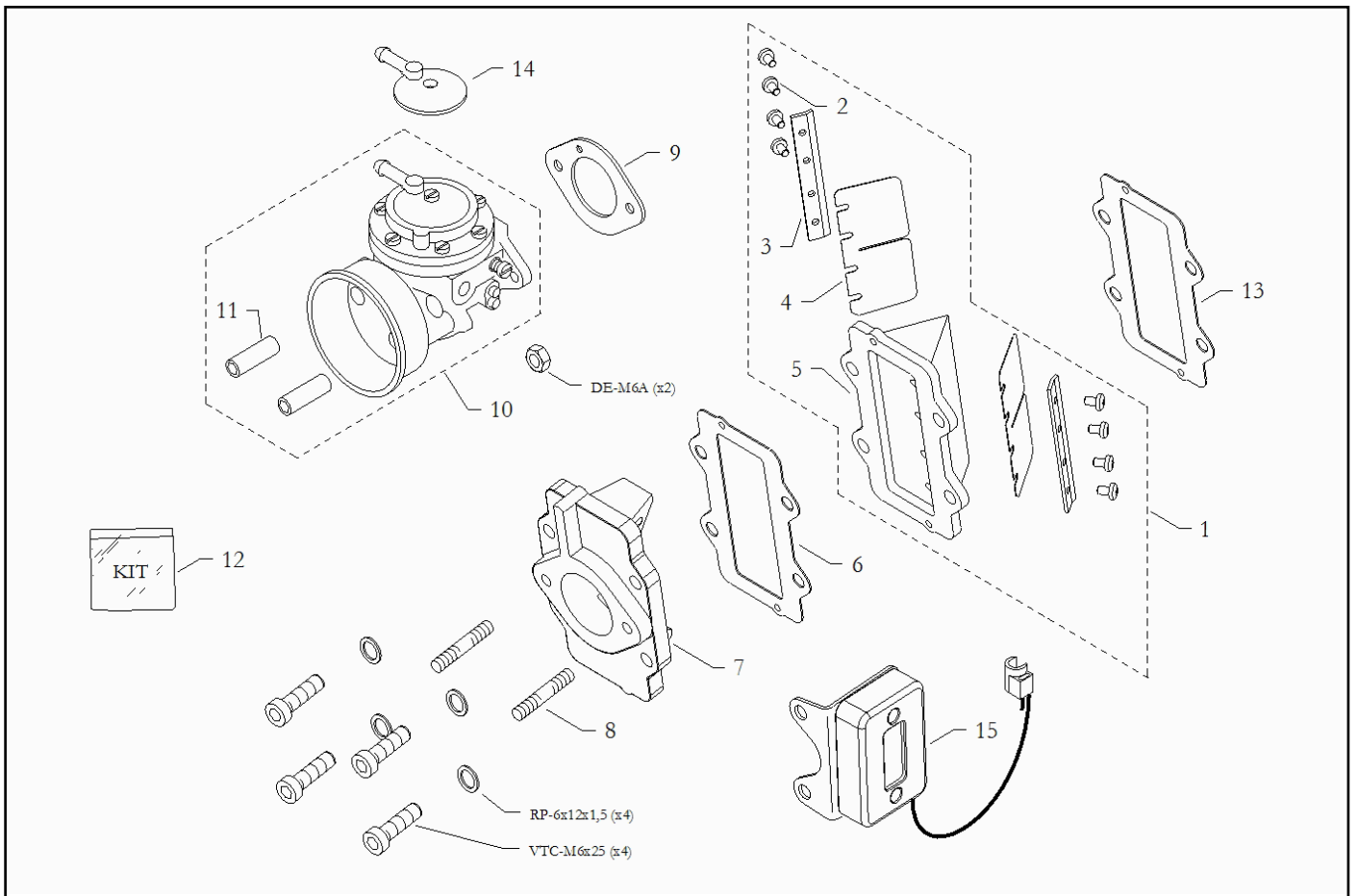
Pos	Code	Description
1	10.11077.00	CRANKSHAFT Ø 20, ASSY.
2	10.11078.00	CONROD Ø 20, ASSY.
3	20.11079.06	CONROD Ø 20
4	20.11080.06	CRANKPIN Ø 20 L=47
5	40.7947.00	ROLLER CAGE 20x26x15
6	40.7949.00	WASHER SILVER 20x35x1
7	40.11062.00	ROLLER CAGE 14x18x20
8	20.9111.18	FILLING SHAFT
9	40.7929.00	BEARING 6205 ETN9 25x52x15 C4
10	40.9265.00	OIL SEAL 25x40x7
11	20.10663.06	SCREW STUD CYLINDER INLET SIDE M8x60
12	20.10662.06	SCREW STUD CYLINDER EXHAUST SIDE M8x58
13	20.9963.06	SCREW STUD CARTER, SIDE INLEAT
14	10.8946.00	CARTER ENGINE, ASSEMBLY
15	10.10684.00	ENGINE MOUNT MAGNESIUM
15	10.8926.00	ENGINE MOUNT INCLINED
16	40.11173.00	SCREW COUNTERSUNK FLAT M5X10 TORX
17	10.11420.00	COUPLE SHAFT Ø 20

COUNTERSHAFT

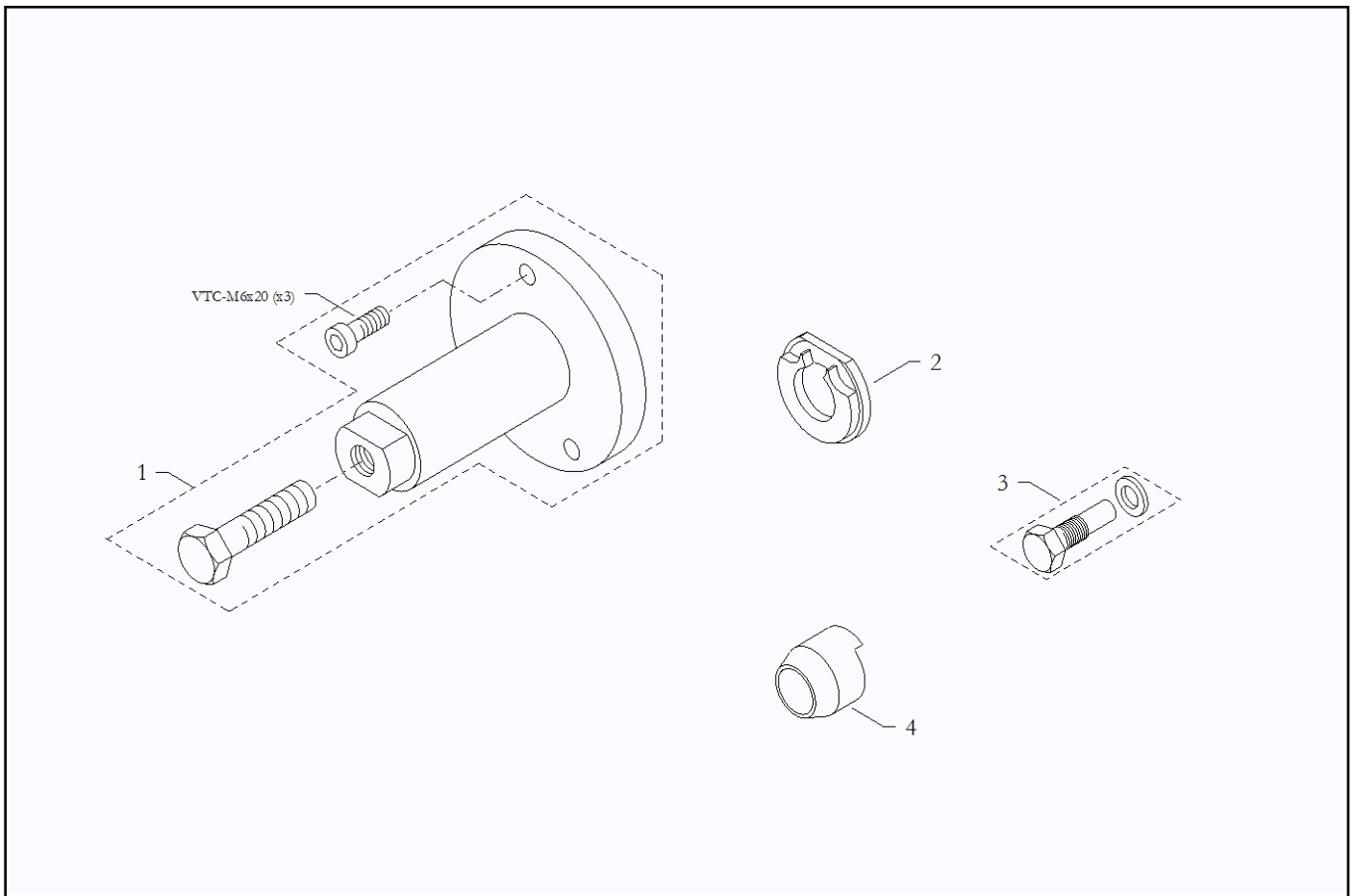


Pos	Code	Description
1	20.9290.06	BALANCED GEAR SHAFT
2	20.9289.06	COUNTERSHAFT
3	40.9304.00	BEARING 6202 TN1 15x35x11 C4
4	40.11089.00	GROMMET OR 20x1,5 NBR
5	20.9497.06	STOP GEAR WASHER
6	20.9445.06	NUT GEAR COUNTERSHAFT
7	20.9276.22	GASKET CRANKCASE COUNTERSHAFT
8	40.9245.00	CONNECTOR VACUUM
9	20.9444.20	OIL BREATHER PIPE L=59.5
10	20.9244.18	OVER FLOW BOTTLE ENGINE
11	20.8933.10	CRANKCASE COUNTERSHAFT
12	40.7936.00	OIL SEAL 26x35x7
13	40.4270.00	CYLINDRICAL CAP
14	40.8500.00	COPPER WASHER 6X10X1,5

REED VALVE



Pos	Code	Description
1	10.9653.00	REED VALVE
2	40.9652.00	REEDS SCREW
3	40.9651.00	REEDS CLIP
4	40.9650.00	PETALS COUPLE VETRONITE
6	20.9239.22	REED VALVE BARE GASKET
7	40.9456.00	CONVEYOR CARBURETOR
8	20.11076.06	SCREW M6x28
9	20.9242.22	CARBURETTOR GASKET
10	40.10144.00	CARBURETTOR TRYTON MOD.HB-27
11	20.10147.06	STUD M6
12	10.10183.00	OVERHAUL CARBURETTOR TRYTON HB-27 KIT
13	20.10402.22	REED VALVE GASKET
14	40.11421.00	COVER CARBURATOR TRYTON HB-27
15	10.11587.00	HOUR-METER, ASSY.



Pos	Code	Descrizione	Description	Um	Price	C.S.
1	10.9681.00	ESTRATTORE FRIZIONE	CLUTCH PULLER	N.	36,00	F48
2	20.9782.06	BLOCCO CORONA AVVIAMENTO EK	STARTER DRIVER WHEEL PULLER	N.	20,00	F48
3	10.9784.00	FERMO CONTRALBERO	COUNTERSHAFT PULLER	N.	6,00	F48
4	20.9785.06	BOCCOLA MONT. PARAOLIO ALBERO MOTORE	BUSHING CRANKSHAFT OIL SEAL FITTING	N.	19,00	F48