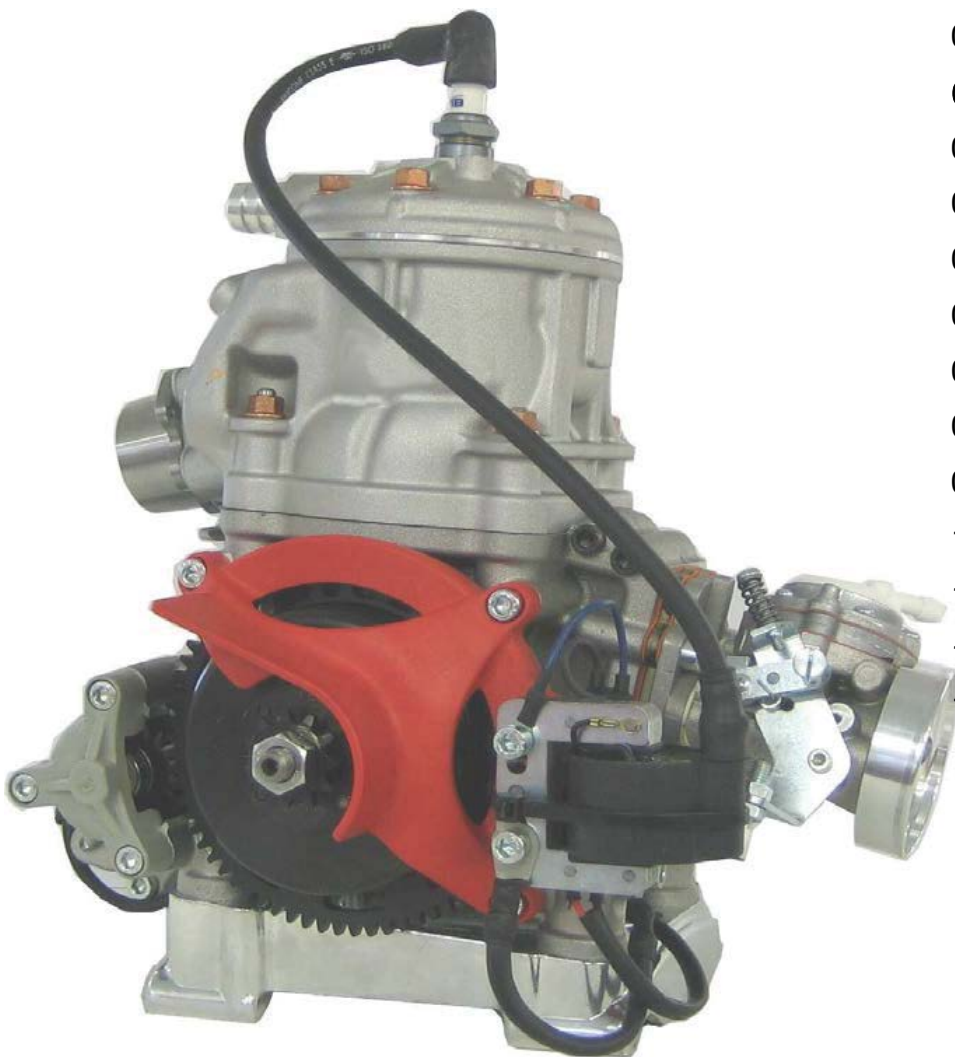


Parts Reference Catalog

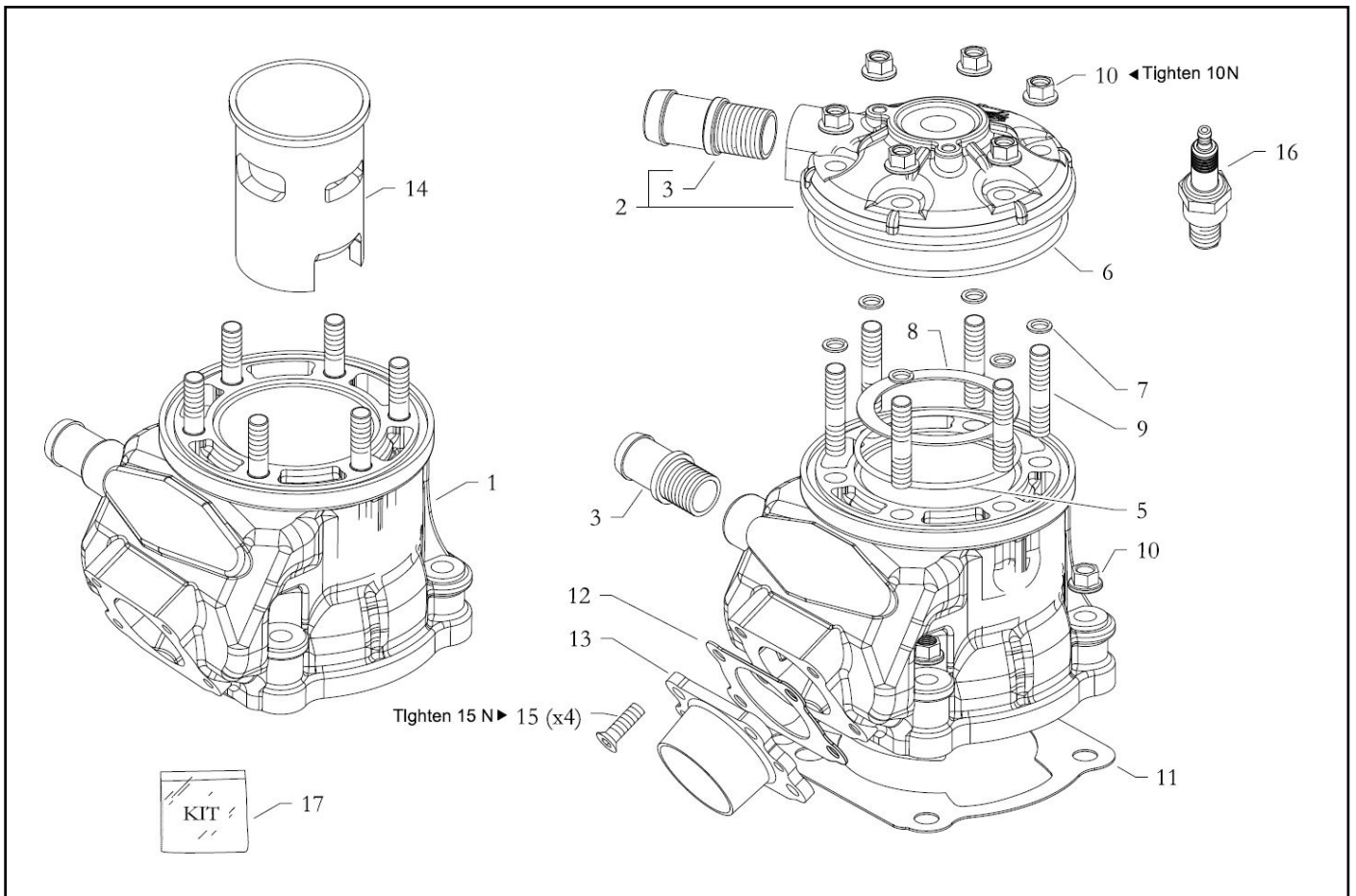
INDEX



- 01 INDEX
- 02 CYLINDER
- 03 PISTON
- 04 CRANKSHAFT
- 05 COUNTERSHAFT
- 06 REED VALVE
- 07 CLUTCH
- 08 ENGINE STARTER
- 09 IGNITION
- 10 ELECTRONIC
- 11 ACCESSORIES
- 12 EXHAUST SILENCER
- 13 TOOLS

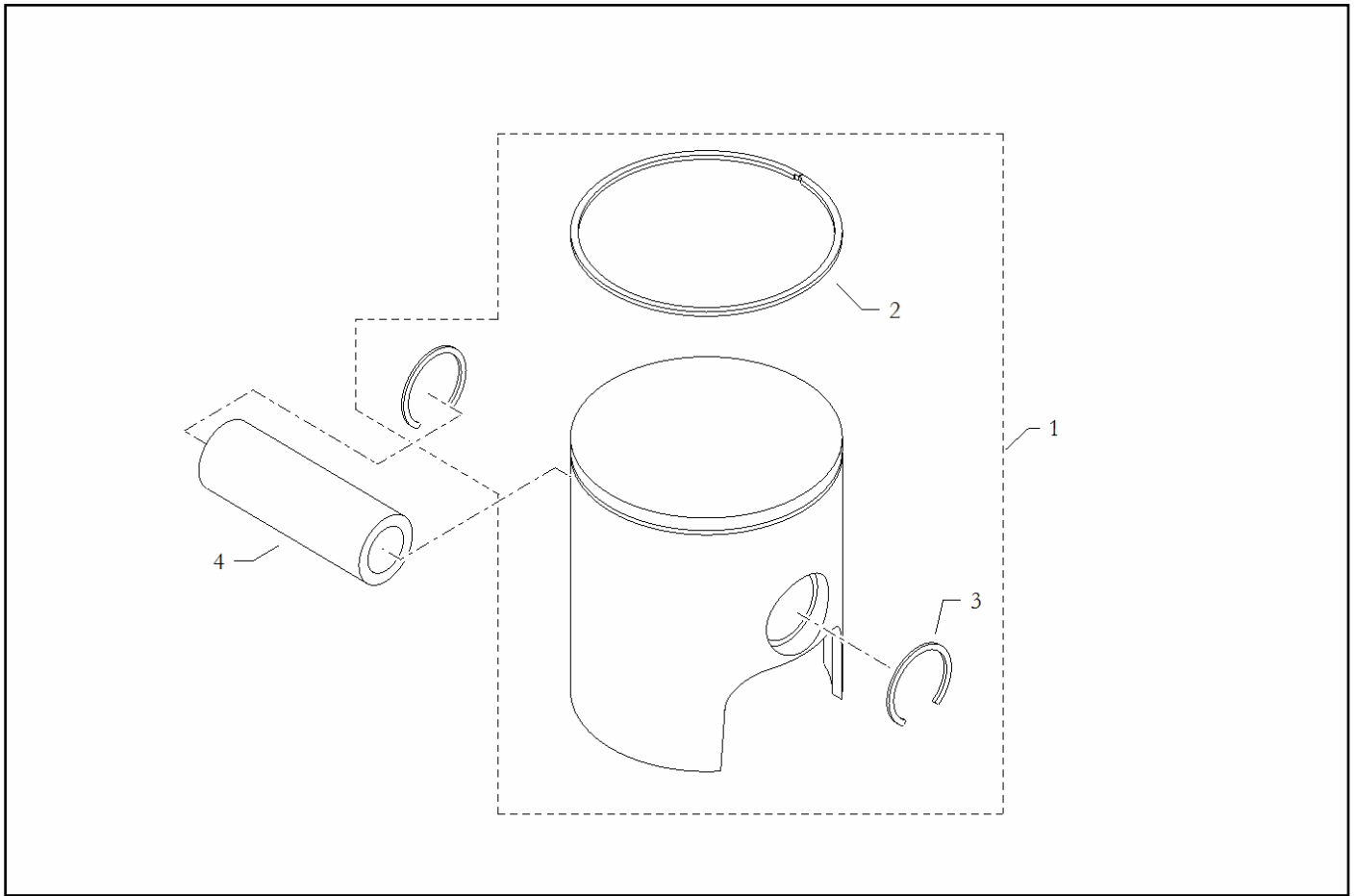
CATALOG 2018

CYLINDER



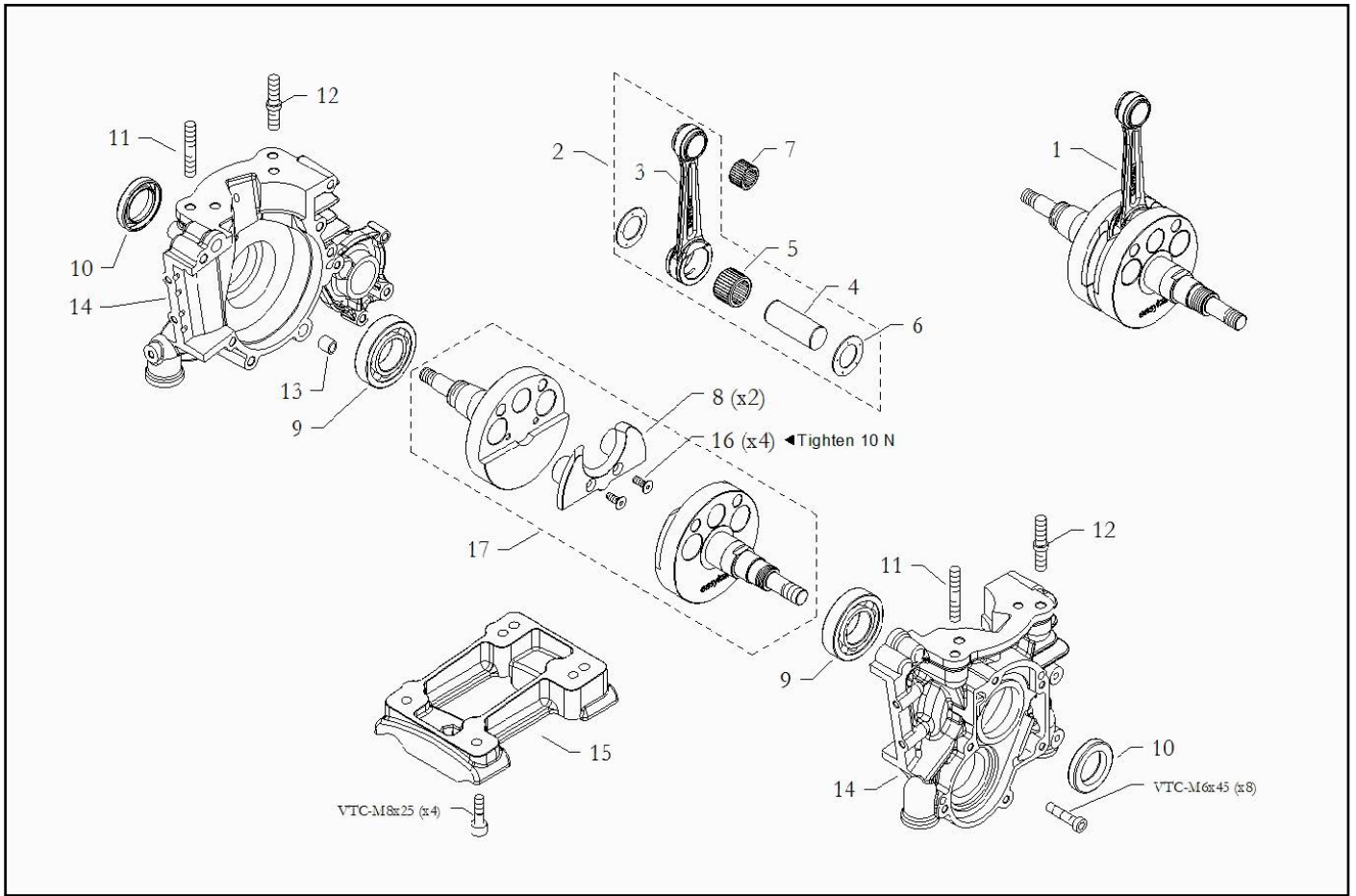
Pos	Code	Description
1	10.10079.00	CYLINDER, ASSY.
2	10.10080.00	HEAD ENGINE
3	20.9918.10	WATERPIPE CONNECTION
5	40.9919.00	O-RING 2237 INNER CYLINDER
6	40.11157.00	O-RING 2400 101.32X1.78 VITON
6	40.11158.00	O-RING 100X2 OUTER CYLINDER VITON
6	40.9920.00	O-RING 2237 100X2.5 VITON OUTER CYLINDER
7	40.9921.00	O-RING 2031 SCREW STUD
8	20.9922.14	SHIM HEAD MOTOR 0,05MM
8	20.9923.27	SHIM HEAD MOTOR 0,1 MM
8	20.9924.27	SHIM HEAD MOTOR 0,2 MM
9	20.9925.06	SCREW STUD FIXING HEAD M8
10	40.9926.00	FLANGED NUT M8
11	20.10120.22	GASKET CYLINDER BASE 0,1 MM
11	20.10121.22	GASKET CYLINDER BASE 0,2 MM
11	20.10145.22	GASKET CYLINDER BASE 0,3 MM
11	20.10146.22	GASKET CYLINDER BASE 0,4 MM
12	20.9930.22	GASKET EXHAUST MANIFOLD
13	20.9903.10	EXHAUST MANIFOLD
14	20.10416.08	CYLINDER LINER
15	40.11175.00	SCREW COUNTERSUNK FLAT M5X20 TORX
16	10.11156.00	SPARK PLUG L8 S COLD
16	10.9884.00	SPARK PLUG L10S
17	10.9931.00	O-RING CYLINDER KIT

PISTON



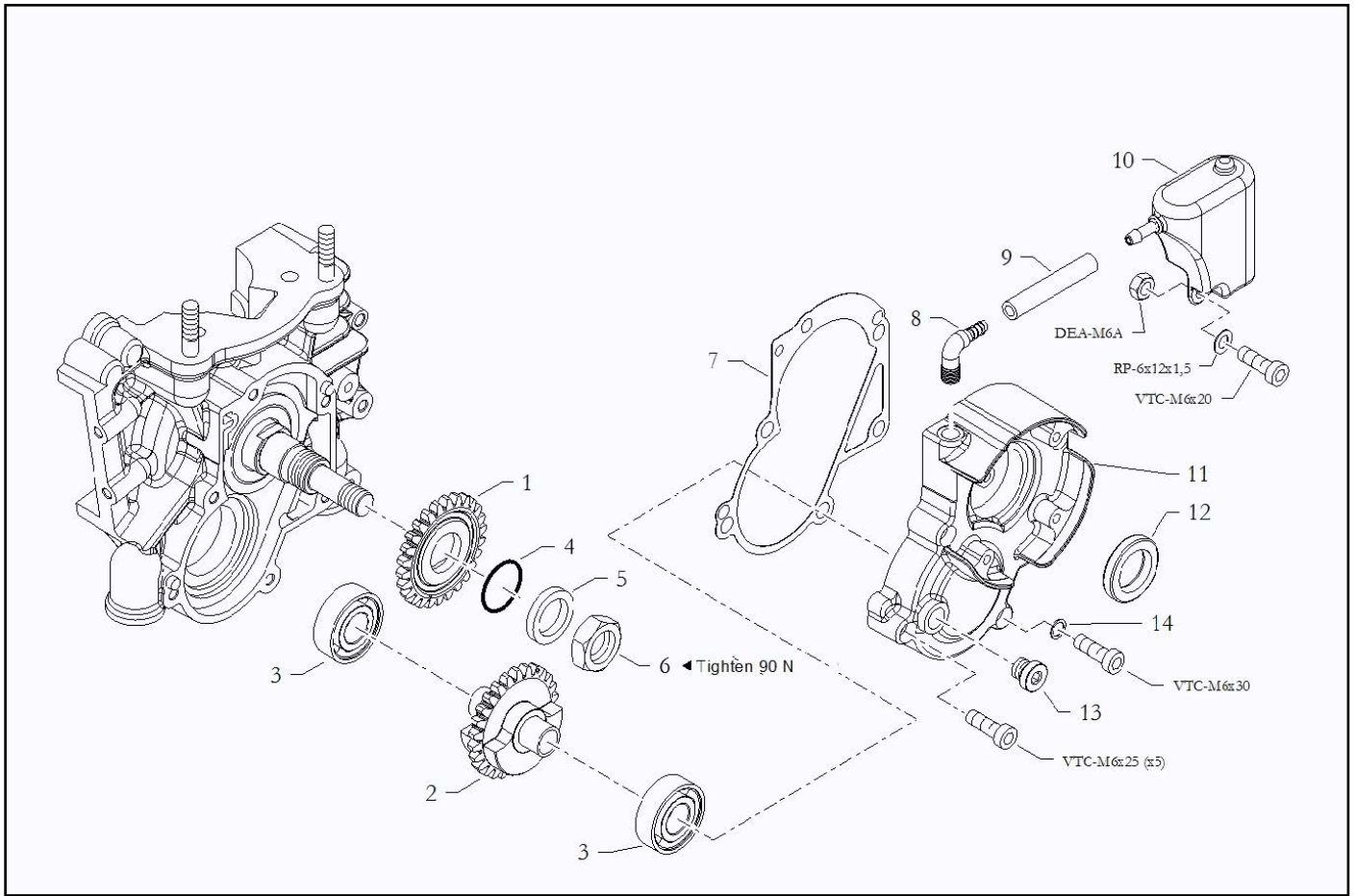
Pos	Code	Description
1	10.9434.00	PISTON 53.99, ASSY
1	10.9435.00	PISTON 54.03, ASSY
1	10.9436.00	PISTON 54.05, ASSY
1	10.9437.00	PISTON 54.07, ASSY
1	10.9438.00	PISTON 54.09, ASSY
1	10.9439.00	PISTON 54.11, ASSY
1	10.9440.00	PISTON 54.13, ASSY
1	10.9441.00	PISTON 54.15, ASSY
1	10.9442.00	PISTON 54.16, ASSY
1	10.9443.00	PISTON 54.17, ASSY
2	40.9478.00	PISTON RING 54.10
2	40.9479.00	PISTON RING 54.15
2	40.9480.00	PISTON RING 54.20
2	40.9481.00	PISTON RING 54.25
3	40.9433.00	STOP RING FOR PISTON PIN
4	40.9432.00	PISTON PIN 14x45x10 BICONIC

CRANKSHAFT



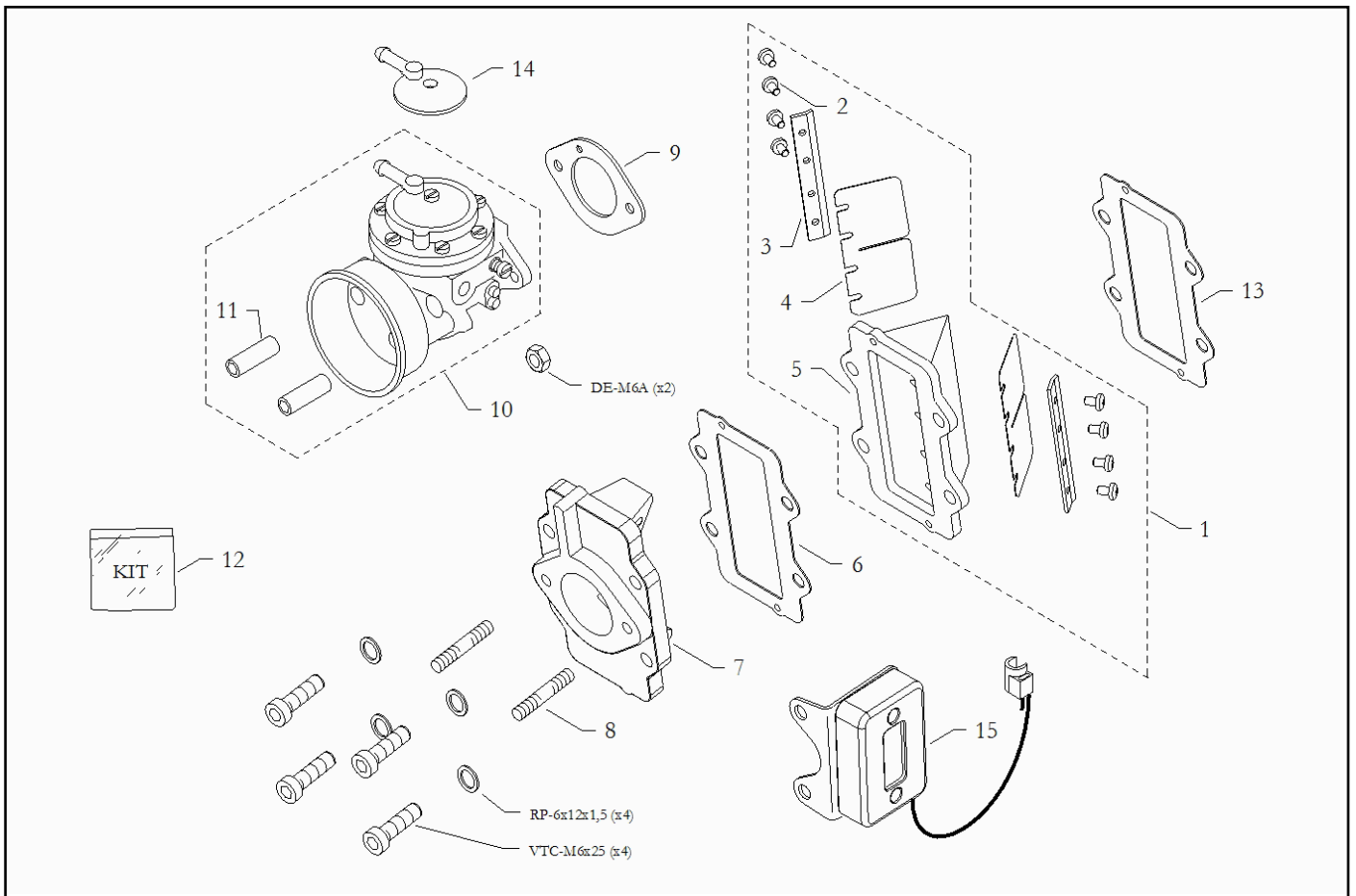
Pos	Code	Description
1	10.11077.00	CRANKSHAFT Ø 20, ASSY.
2	10.11078.00	CONROD Ø 20, ASSY.
3	20.11079.06	CONROD Ø 20
4	20.11080.06	CRANKPIN Ø 20 L=47
5	40.7947.00	ROLLER CAGE 20x26x15
6	40.7949.00	WASHER SILVER 20x35x1
7	40.11062.00	ROLLER CAGE 14x18x20
8	20.9111.18	FILLING SHAFT
9	40.7929.00	BEARING 6205 ETN9 25x52x15 C4
10	40.9265.00	OIL SEAL 25x40x7
11	20.10663.06	SCREW STUD CYLINDER INLET SIDE M8x60
12	20.10662.06	SCREW STUD CYLINDER EXHAUST SIDE M8x58
13	20.9963.06	SCREW STUD CARTER, SIDE INLET
14	10.8946.00	CARTER ENGINE, ASSEMBLY
15	10.10684.00	ENGINE MOUNT MAGNESIUM
15	10.8926.00	ENGINE MOUNT INCLINED
16	40.11173.00	SCREW COUNTERSUNK FLAT M5X10 TORX
17	10.11420.00	COUPLE SHAFT Ø 20

COUNTERSHAFT



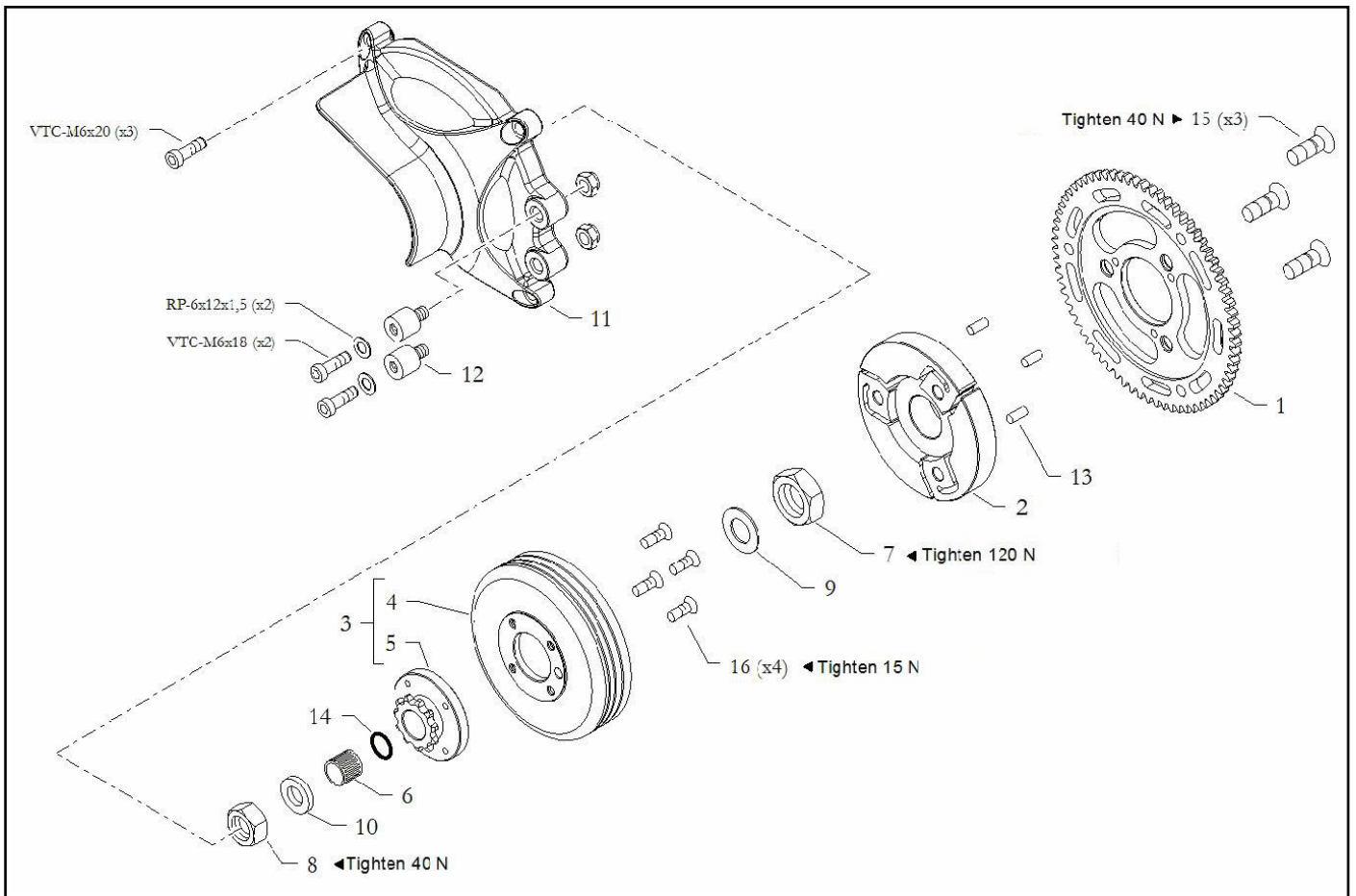
Pos	Code	Description
1	20.9290.06	BALANCED GEAR SHAFT
2	20.9289.06	COUNTERSHAFT
3	40.9304.00	BEARING 6202 TN1 15x35x11 C4
4	40.11089.00	GROMMET OR 20x1,5 NBR
5	20.9497.06	STOP GEAR WASHER
6	20.9445.06	NUT GEAR COUNTERSHAFT
7	20.9276.22	GASKET CRANKCASE COUNTERSHAFT
8	40.9245.00	CONNECTOR VACUUM
9	20.9444.20	OIL BREATHER PIPE L=59.5
10	20.9244.18	OVER FLOW BOTTLE ENGINE
11	20.8933.10	CRANKCASE COUNTERSHAFT
12	40.7936.00	OIL SEAL 26x35x7
13	40.4270.00	CYLINDRICAL CAP
14	40.8500.00	COPPER WASHER 6X10X1,5

REED VALVE



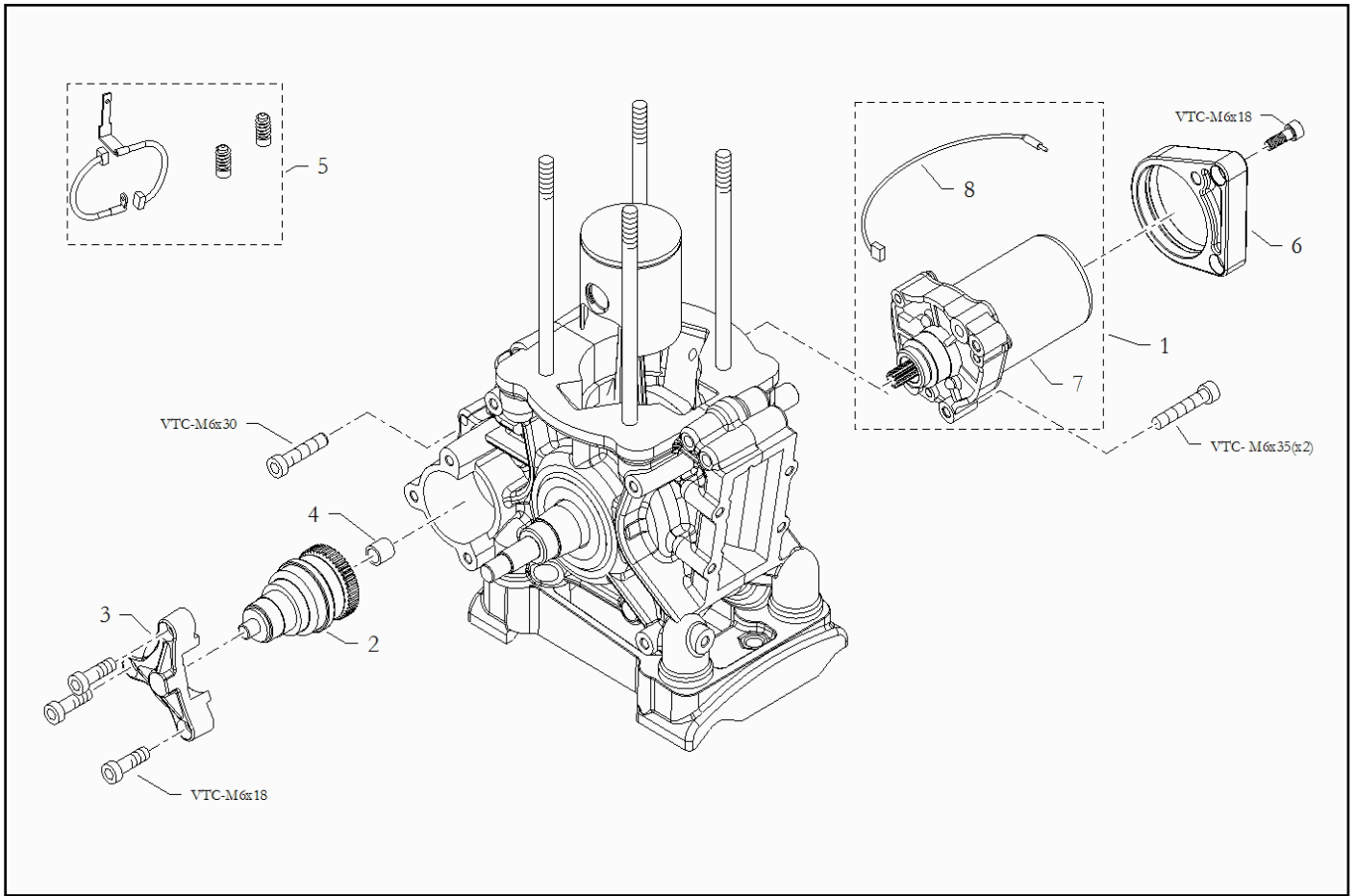
Pos	Code	Description
1	10.9653.00	REED VALVE
2	40.9652.00	REEDS SCREW
3	40.9651.00	REEDS CLIP
4	40.9650.00	PETALS COUPLE VETRONITE
6	20.9239.22	REED VALVE BARE GASKET
7	40.9456.00	CONVEYOR CARBURETOR
8	20.11076.06	SCREW M6x28
9	20.9242.22	CARBURETTOR GASKET
10	40.10144.00	CARBURETTOR TRYTON MOD.HB-27
11	20.10147.06	STUD M6
12	10.10183.00	OVERHAUL CARBURETTOR TRYTON HB-27 KIT
13	20.10402.22	REED VALVE GASKET
14	40.11421.00	COVER CARBURATOR TRYTON HB-27
15	10.11587.00	HOUR-METER, ASSY.

CLUTCH



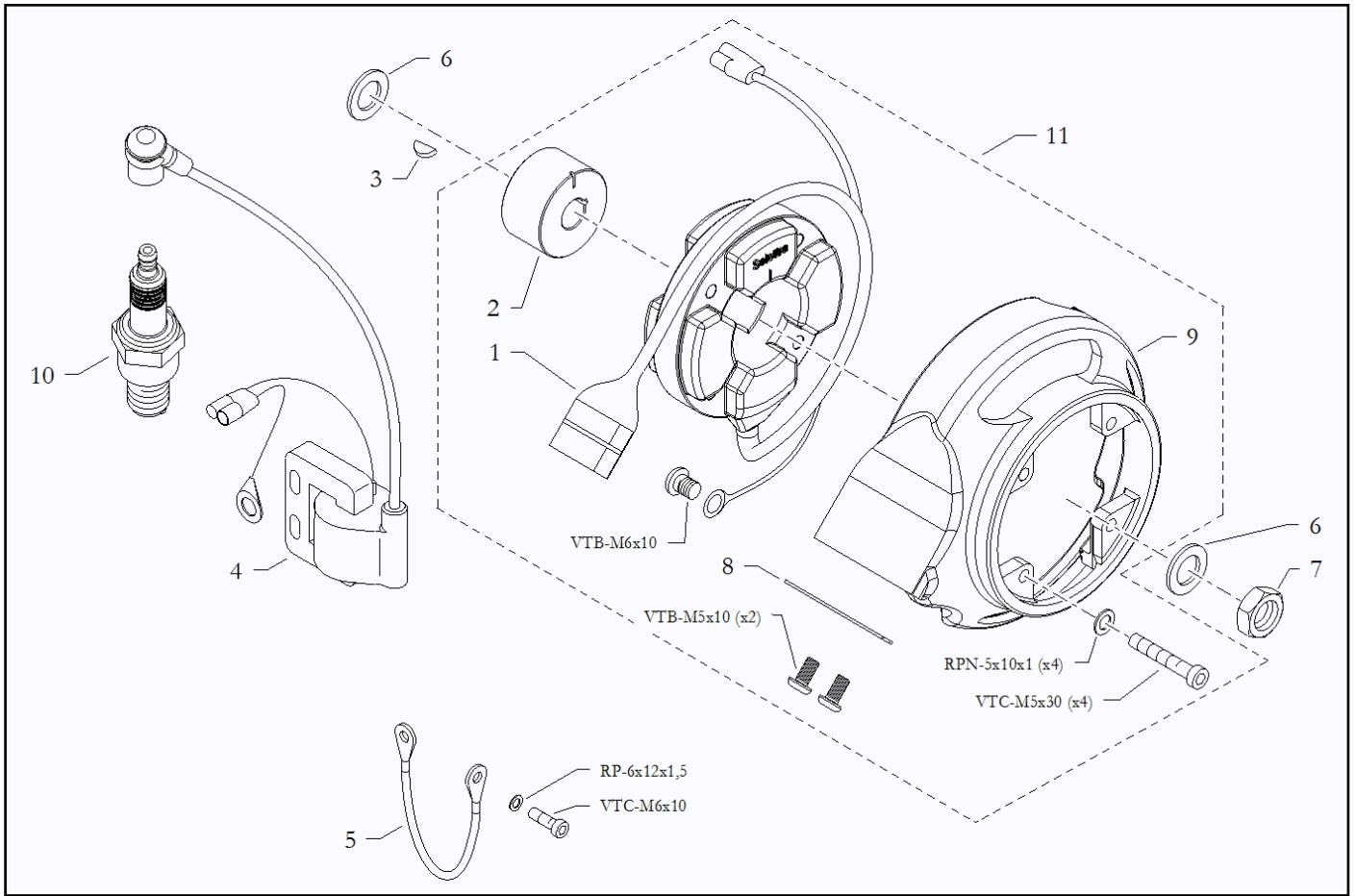
Pos	Code	Description
1	20.10186.06-BR	STARTER DRIVER WHEEL Z-70
2	20.9447.06	CLUTCH
3	10.9450.00	CLUTCH BELL Z11, ASSY
4	20.9336.06-BR	CLUTCH BELL
5	20.9449.06	SPROCKET Z11
6	40.10620.00	ROLLER CAGE 12x15x15
7	20.9448.06	CLUTCH NUT M20x1
8	40.11153.00	NUT M10X1
9	20.9380.06	WASHER 12x20x1.7
10	20.9379.06	SPROCKET WASHER 10x17x4
11	20.9262.18-RO	CLUTCH COVER
12	40.8033.00	ANTI-VIBRATION DAMPER 15x15 M6MF
13	40.10495.00	CYLINDRICAL PIN 4x10 DIN 6325
14	40.10636.00	GROMMET OR 114 D.I. 11,11x1,78 VITON ROSSO
15	40.11172.00	SCREW COUNTERSUNK FLAT M8X16 TORX
16	40.11174.00	SCREW COUNTERSUNK FLAT M5X8 TORX

ENGINE STARTER



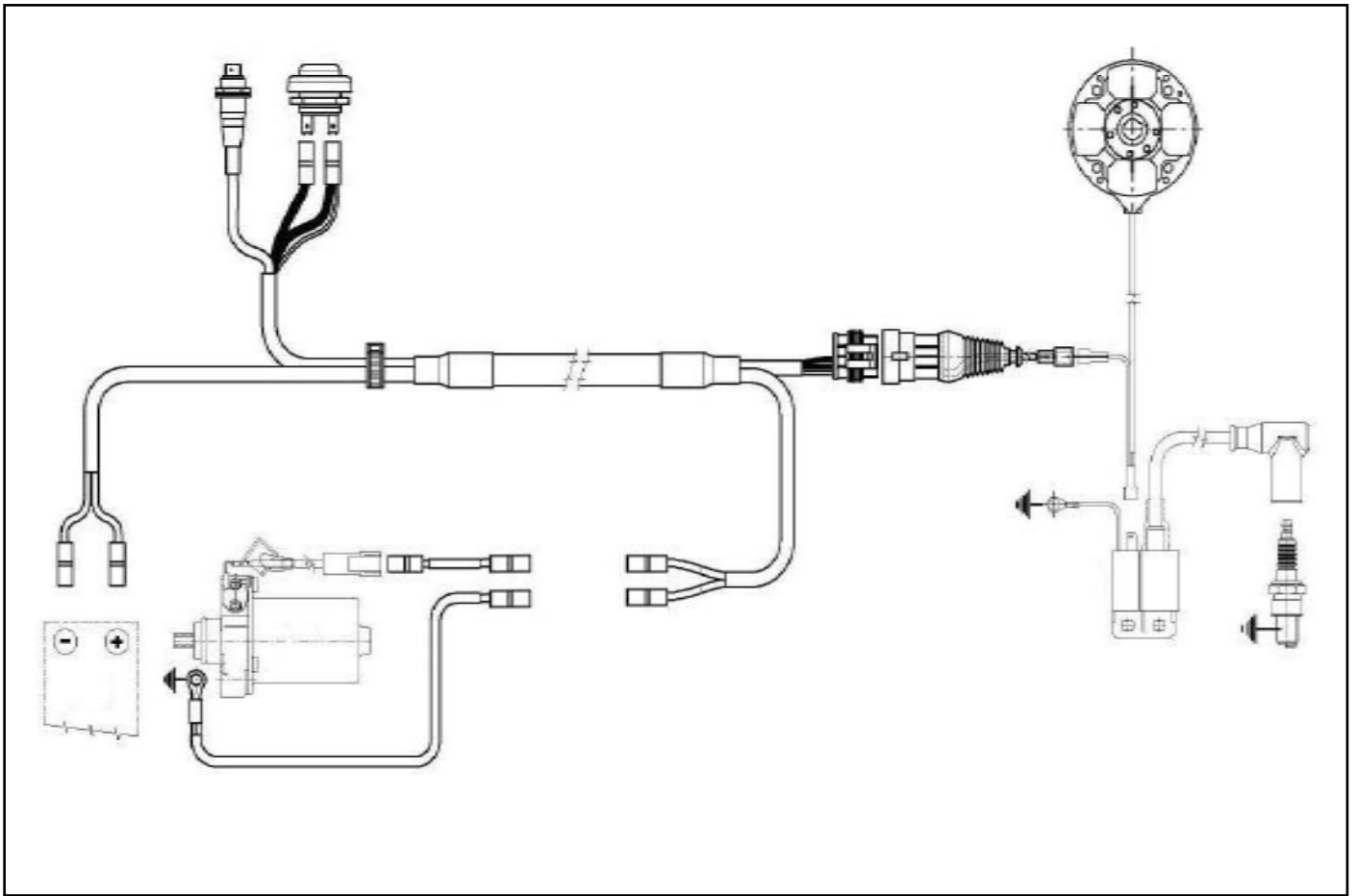
Pos	Code	Description
1	10.11564.00	ENGINE STARTER
2	40.9464.00	BENDIX
3	20.9175.18-GR	BENDIX COVER
4	40.9382.00	BEARING 8x10x12
5	10.10010.00	KIT OF BRUSHES FOR STARTER
6	20.8934.18-GR	SUPPORT CLAMP ENGINE STARTER
8	10.11444.00	BRUSH WIRED REINFORCED

IGNITION



Pos	Code	Description
1	10.8887.28	STATOR D36 WIRE
2	40.7893.00	ROTOR D.36x12 3P 68° LEFT
3	40.8067.00	WOODRUFF KEY 2.5x3.7 UNI-6606
4	10.8039.28	WIRE BOBIN
5	10.8711.00	GROUND CABLE
6	40.9042.00	WASHER 12x18x1
7	20.7833.06	IGNITION NUT M12x1 H6
8	20.9177.06	SUPPORT CONNECTOR IGNITION CARTER
9	20.9246.10	IGNITION COVER
10	10.11156.00	SPARK PLUG L8 S COLD
10	10.9884.00	SPARK PLUG L10S
11	10.11775.00	COVER IGNITION ASSEMBLY

ELECTRONIC



Pos Code

1	
2	
3	
4	
6	
7	
8	
9	
10	
11	
12	
13	
14	

ACCESSORIES

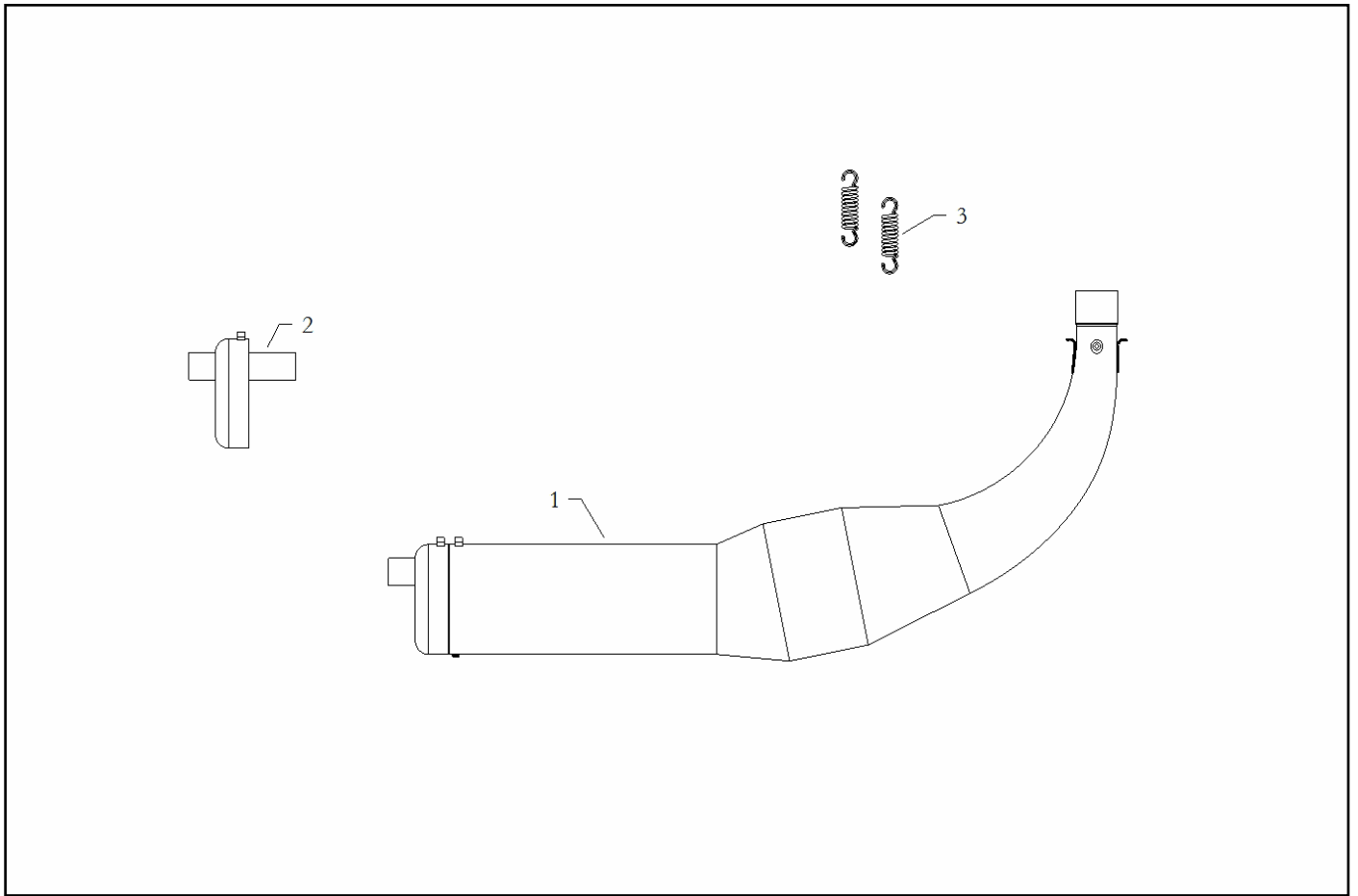


Pos Code

1
2
3
4
6
7
8
9
10
11
12
13
14

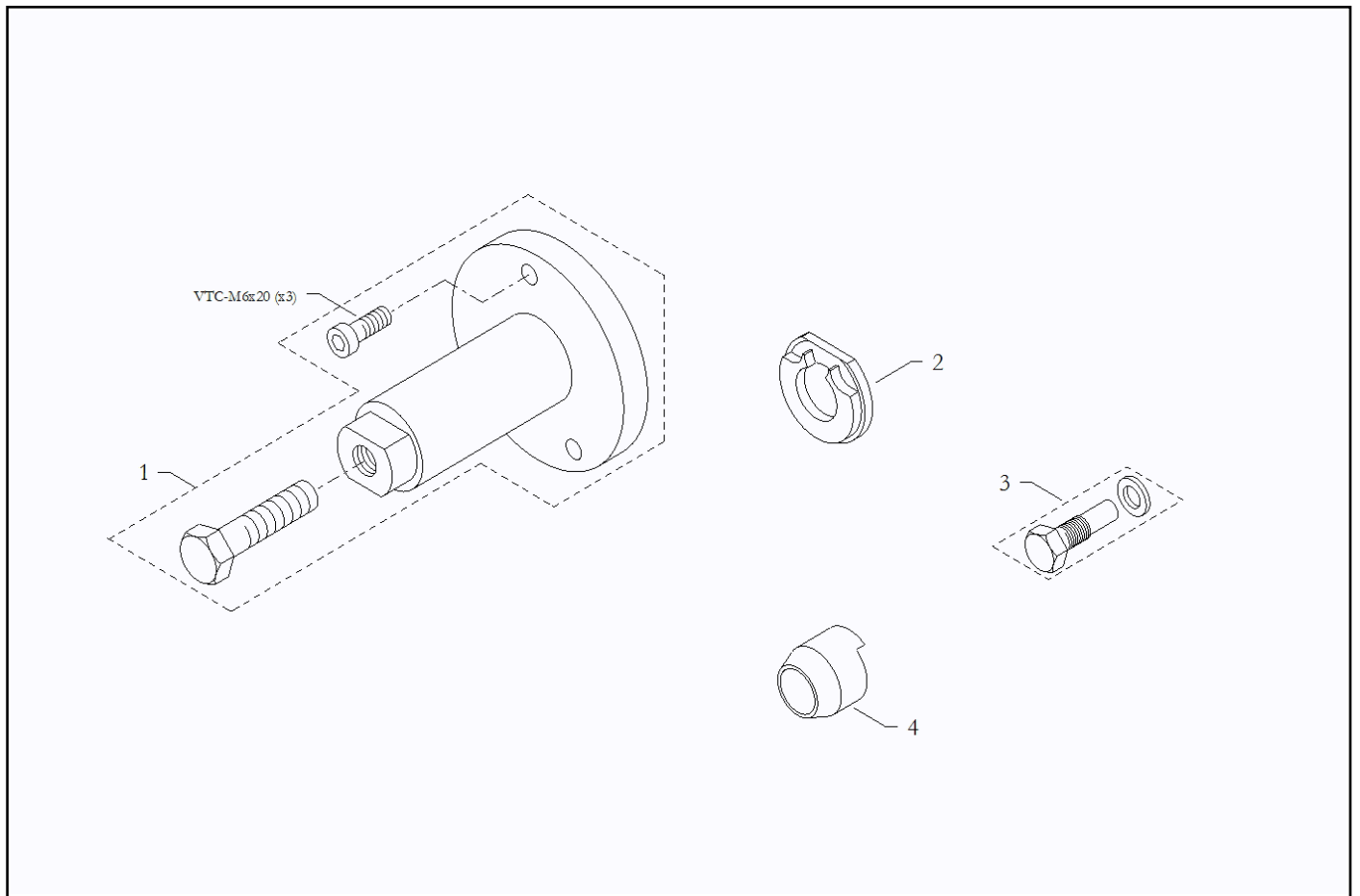
SILENZIATORE DI SCARICO / EXHAUST SILENCER

Gr.m BAT010



Pos Code	Description
1 10.10003.00	EXHAUST SILENCER
2 20.10006.06	SILENCER END
3 20.8086.06	SPRING EXHAUST

TOOLS



Pos	Code	Description
1	10.9681.00	CLUTCH PULLER
2	20.9782.06	STARTER DRIVER WHEEL PULLER
3	10.9784.00	COUNTERSHAFT PULLER
4	20.9785.06	BUSHING CRANKSHAFT OIL SEAL FITTING