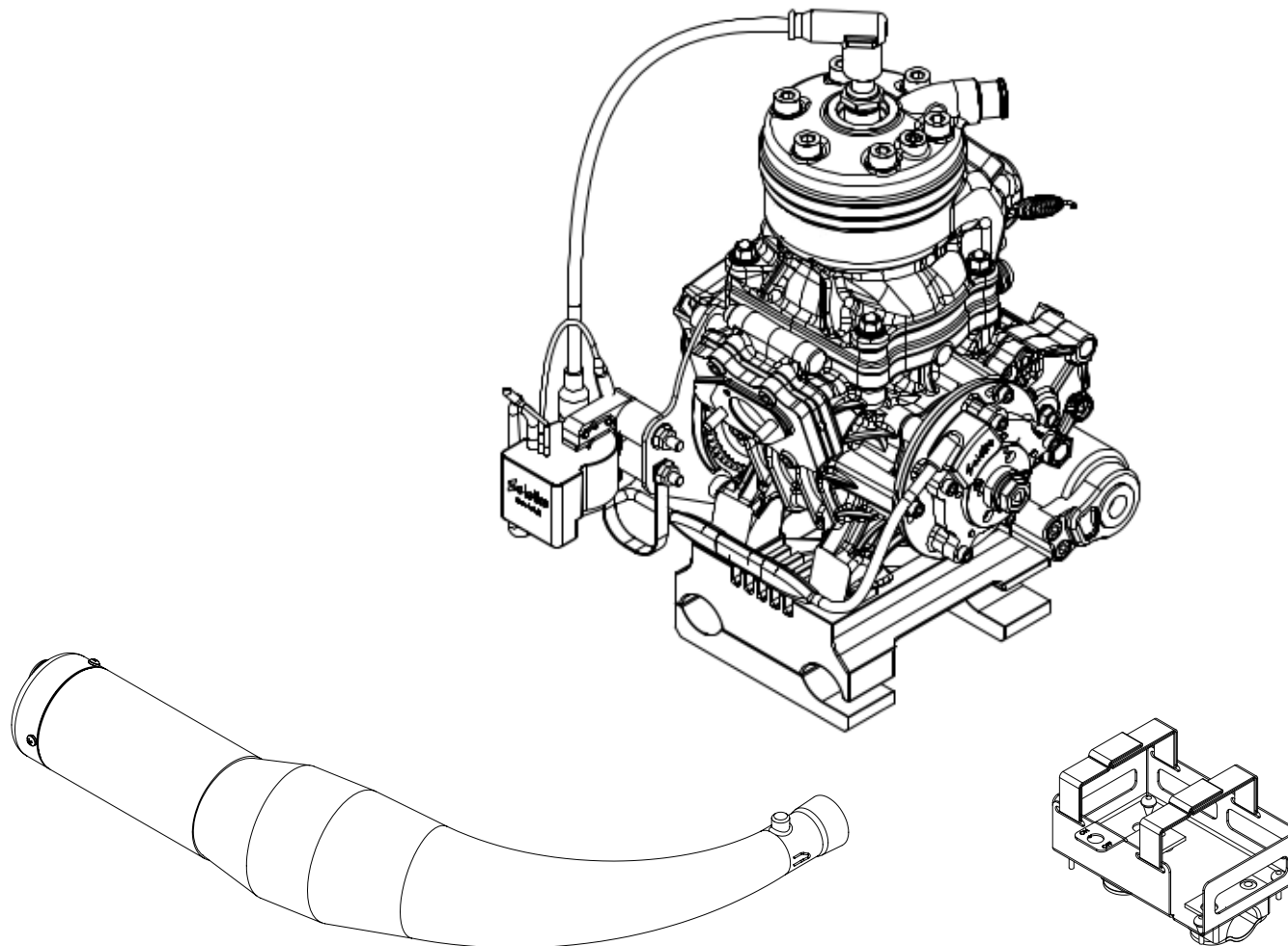


I n d e x

Tag Engine	3/4
Crankshaft group	5/6
Countershaft group	7/8
Engine full equipment	9/10
Power supply system	11/12
Ignition system	13/14
Head and cylinder	15/16
Engine starting group	17/18
Exhaust system	19/20

TAG Engine



TAG engine components	Quantity	Notes
Carburetor Tillotson 23mm , 24mm or 27mm	1	23mm HL334AB (JR1), 24mm HW44A (JR2, JR3, SR), 27mm HW32A (M)
Crankshaft group	1	
Battery support complete with brackets	1	
Tag Exhaust	1	
Water pump	1	
Pulley	1	
Orings	2	
Curved water pipe	3	
Clamps 16-25	6	
TAG KG air box	1	
Not included components		
12v battery	1	
Engines mounting	1	

Figure	Part Number	Quantity	Description
	X125T-MX	1	TAG ENGINE

TAG Engine

Crankshaft group

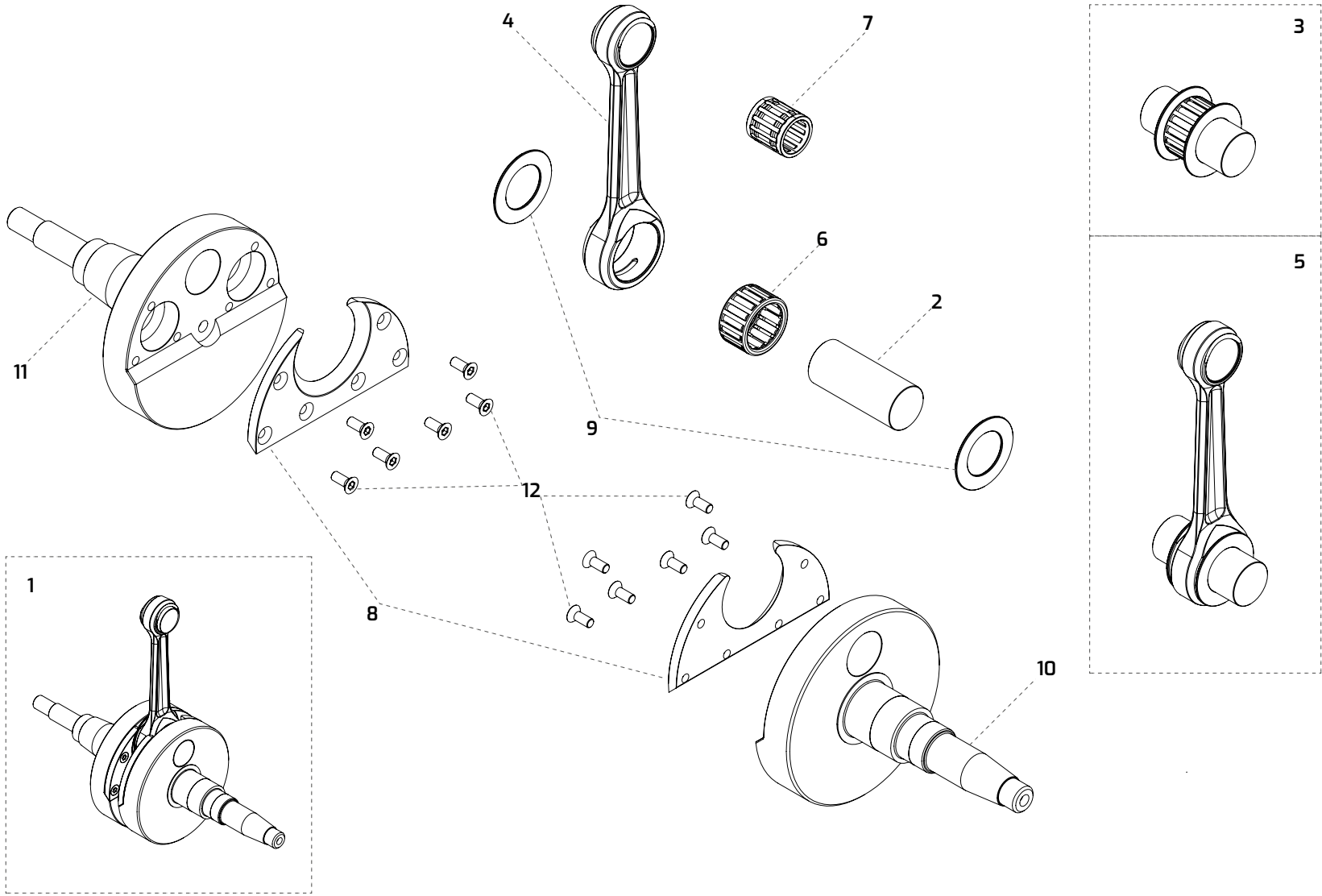
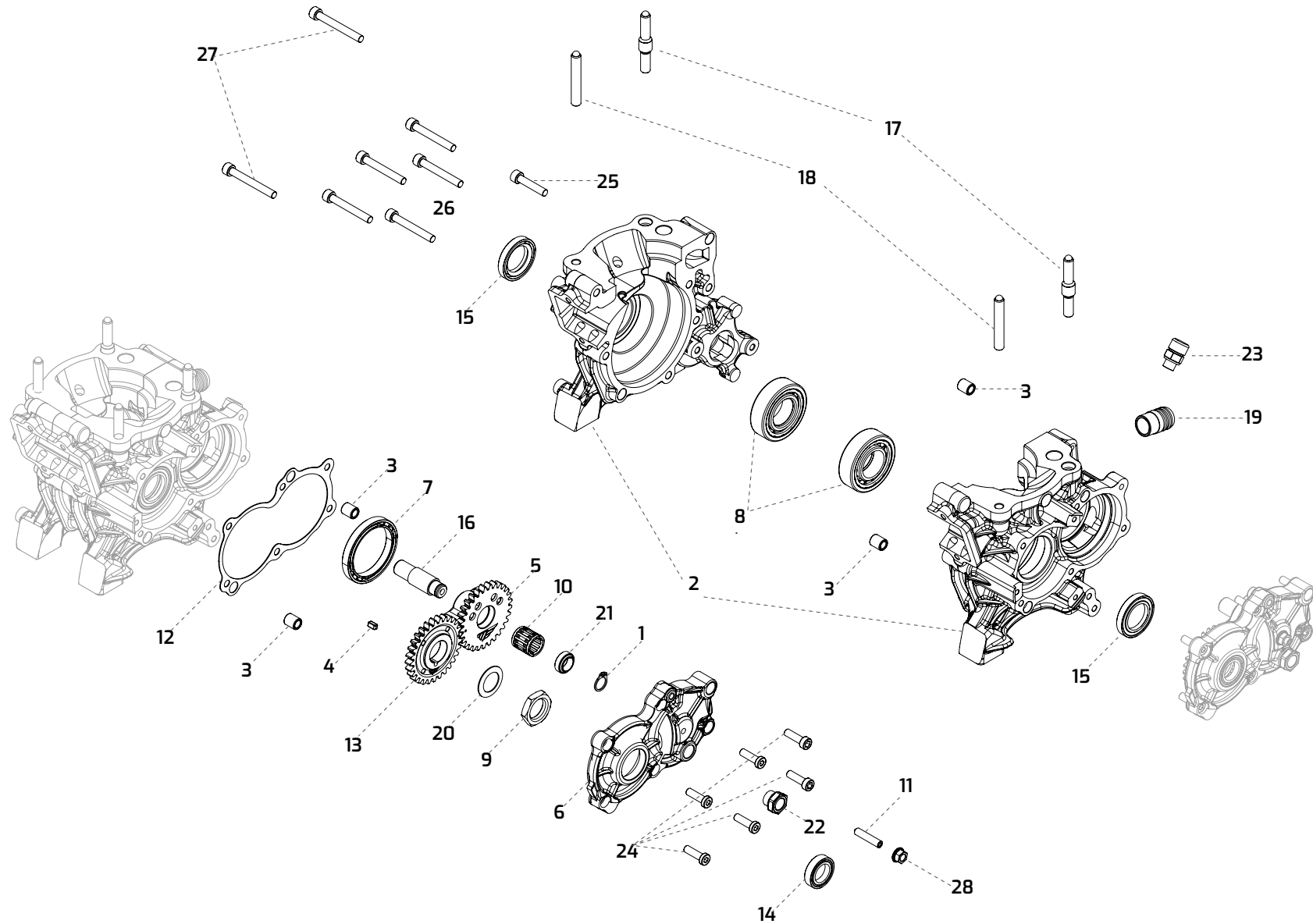


Figure	Codice Code	Quantity	Description
1	X125-220181	1	TAG COMPLETE CRANKSHAFT
2	X125-220117	1	FILL BIG END PIN 20 X 4.7
3	X125-220117-KIT	1	FILL BIG END PIN ASSEMBLY
4	X125-220039	1	CONROD 104mm TAG
5	X125-220041	1	104 MM COMPLETE CONROD
6	X125-110305	1	BIG END NEEDLE ROLLER CAGE 20 X 26 X 14.7
7	X125-110386	1	SMALL END NEEDLE ROLLER CAGE 15 X 19 X 19.7
8	X125-220017	1	CRANKSHAFT CHEEK OPTIONAL
9	X125-110304	2	THRUST WASHER 20 X 34.7 X 1
10	X125-220698	1	IGNITION HALF CRANKSHAFT
11	X125-220699	1	HALF CRANKSHAFT TRANSMISSION
12	X125-220198	12	SCREW 4x8 OPTIONAL

Crankshaft group

Countershaft group



Countershaft group

Figure	Code	Quantity	Description	
1	X125-220057	1	SEEGER 11	A98.0412400
2	X125-220175	1	TAG CRANKCASE COUPLE	P12.2130091
3	X125-220059	2	CENTERING BUSH Ø 6.5-10x11.5	A90.0220000
4	X125-220058	1	SHAFT KEY 4 X 4 X 8	A98.1540000
5	X125-220010	1	BALANCE SHAFT	P12.0640091
6	X125-220062	1	CLUTCH COVER	A12.0631111
7	X125-220063	1	61809 ETN9-C4 BEARING	A90.5980000
8	X125-110281	2	ROLLER BEARING SK F BC1-1442B	A98.0840000 (STANDARD)
9	X125-220065	1	M19 NUT	A90.4164300
10	X125-110386	1	BALANCE SHAFT BEARING 15 X 19 X 19.7	
11	X125-220067	1	GEAR COVER SCREW M6 X 30	
12	X125-220060	1	GEAR COVER GASKET	A12.0620000
13	X125-220011	1	GEAR	C12.0223400
14	X125-220099	1	OIL SEAL 17 X 28 X 7	
15	X125-220220	2	OIL SEAL 25 X 38 X 7	
16	X125-220012	1	COUNTERSHAFT PIN	A12.0913453
17	X125-220013	2	CYLINDER STUD M8 X 53 (EXHA UST SIDE)	A90.4060000
18	X125-220014	2	CYLINDER STUD M8 X 55 (INLET SIDE)	
19	X125-220015	1	CYLINDER HOSE FIT TING M18 X 1,5	
20	X125-220018	1	COUNTERWEIGHT WASHER	A90.0450000
21	X125-220019	1	COUNTERSHAFT GEAR SPACER	
22	X125-220020	1	OIL SIGHT CAP	
23	X125-220295	1	OIL BREATHER VALVE	
24	X125-110400	6	SCREW TCEI LOW HEAD M6 X 20	
25	X125-110466	1	TCEI SCREW M6 X 30	A98.0312451
26	X125-220084	5	TCEI SCREW M6 X 45	A98.1642451
27	X125-220085	2	TCEI SCREW M6 X 50	
28	X125-220021	1	FLANGED NUT M6	

Engine full equipment

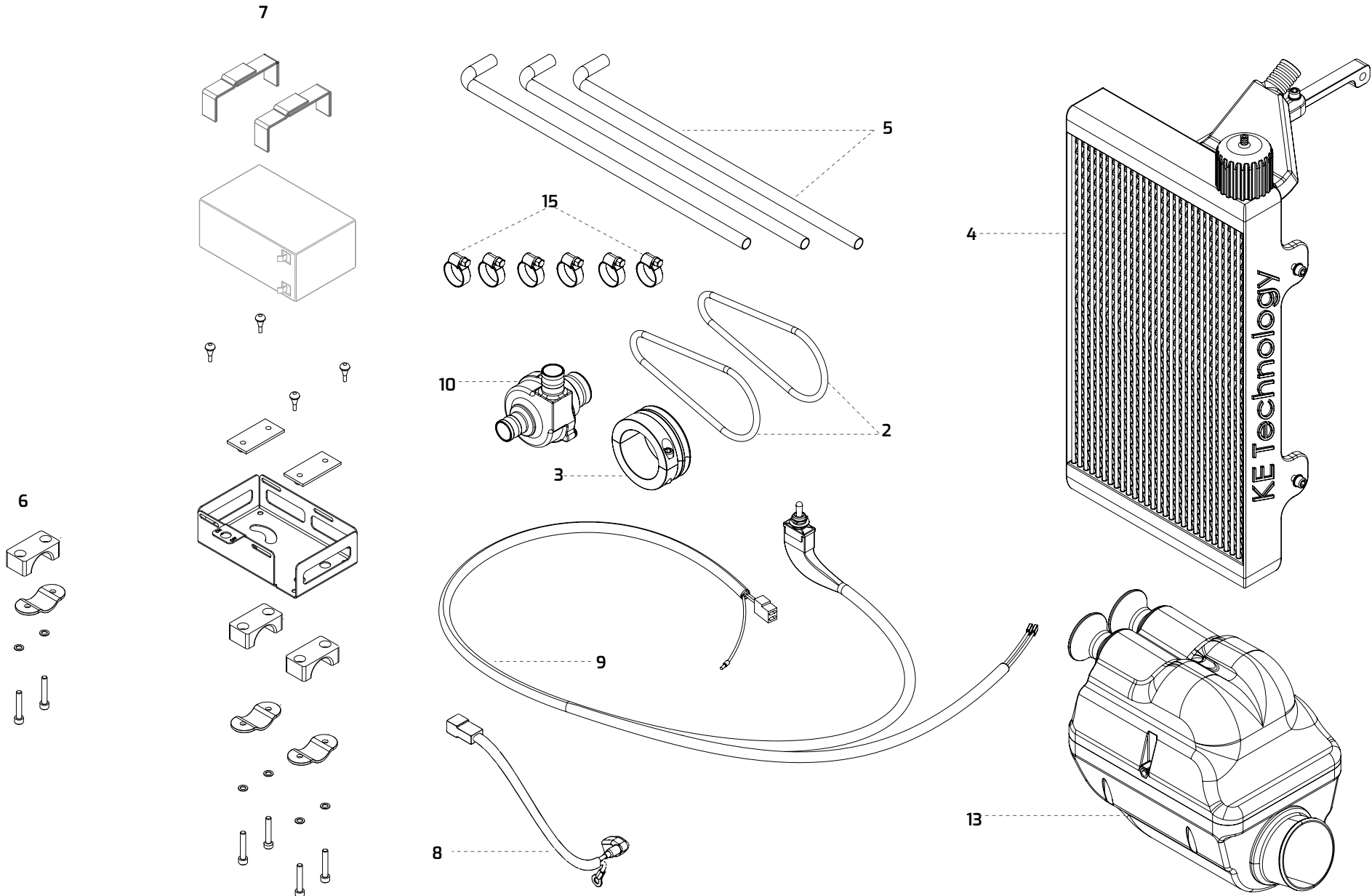


Figure	Code	Quantity	Description
2	GT001	2	WATER PUMP ORING
3	K526N	1	AXLE PULLEY D.50
4	HL003	1	TAG RADIATOR WITH BRACKETS
5	K561	3	WATER HOSE WITH CURVE
6	P10.21360091	2	STEEL CLAMP FOR BATTERY SUPPORT
7	X125-220329	2	BATTERY SUPPORT ASSEMBLY
8	X125-220435	1	STARTER WIRE
9	X125-220230	1	SELETTA TAG WIRING
10	K514	1	ALUMINIUM WATER PUMP
13	X125-220322	1	X125 AIR BOX KG/KTO NITRO TAG VERSION
15	GT016	4	STEEL BAND 16-25 RADIATOR

Engine full equipment

Power supply system

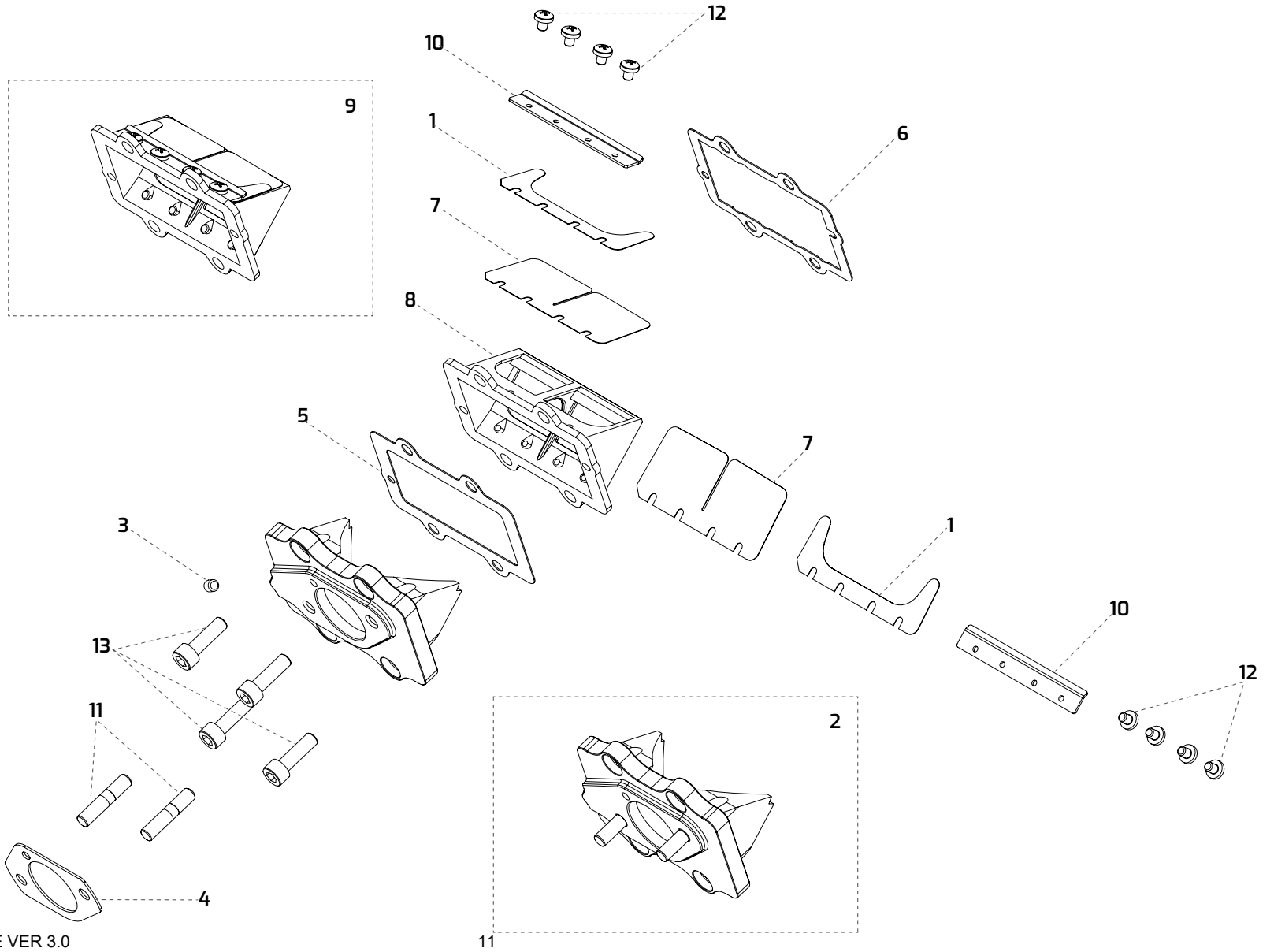


Figure	Code	Quantity	Description
1	X125-220136	2	REED VALVE PETAL STIFFNER
2	X125-R002	1	REED VALVE CAGE FLANGE
3	X125-220113	1	REED VALVE CAGE FLANGE SCREW
4	X125-220087	1	CARBURETOR GASKET
5	X125-220154	1	REED BLOCK GASKET TAG
6	X125-220153	1	REED VALVE GASKET TAG
7	X125-220135	2	REED VALVE PETAL
8	X125-220064	1	COMPLETE REED CAGE ASSEMBLY
9	X125-220134	1	NAKED REED CAGE
10	X125-220066	2	REED VALVE PETAL LOCKING
11	X125-220108	2	CARBURETOR FIXING STUD
12	X125-220404	8	SCREW M3 X 5
13	X125-220400	4	TCEI SCREW M6 X 20

Power supply system

Ignition system

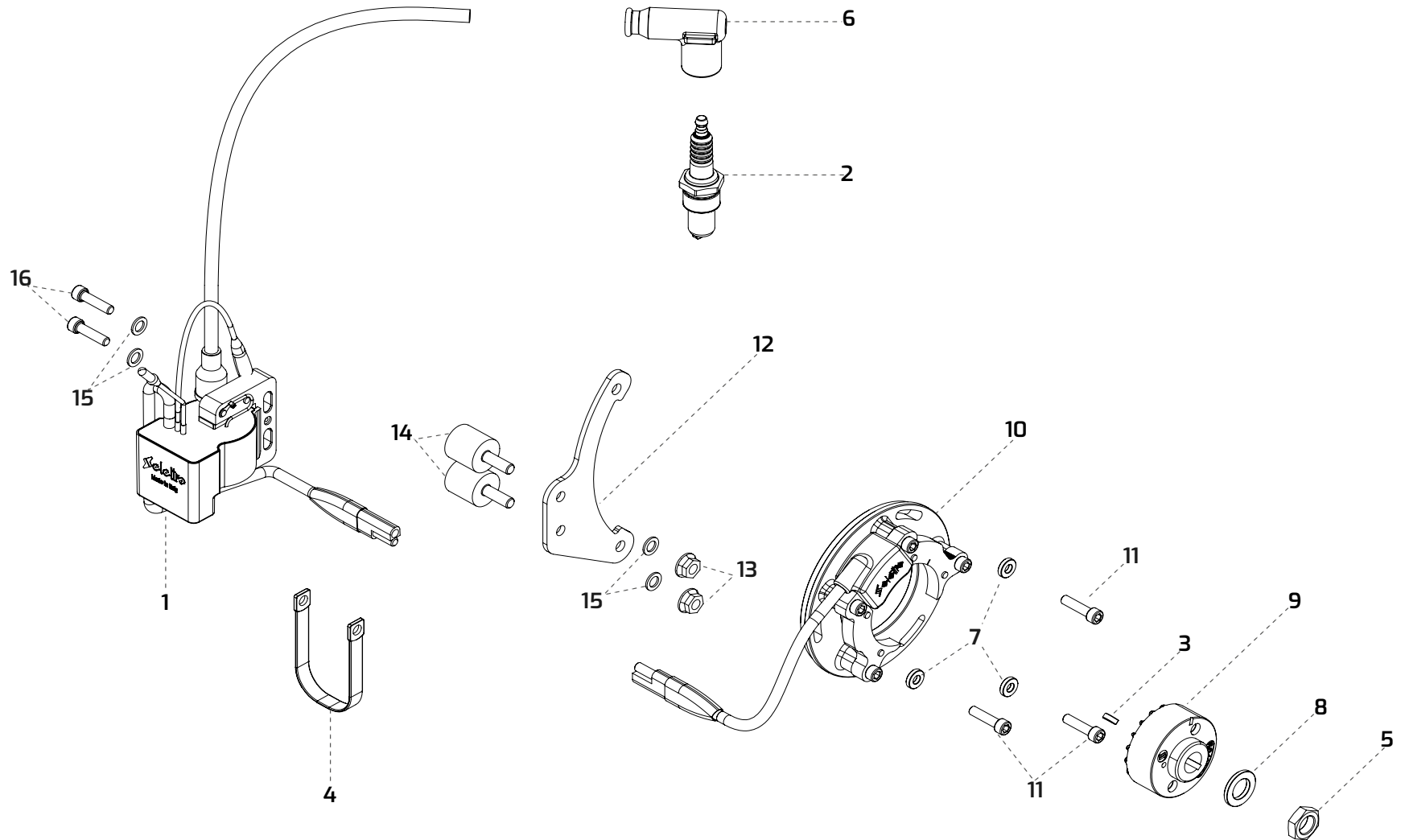
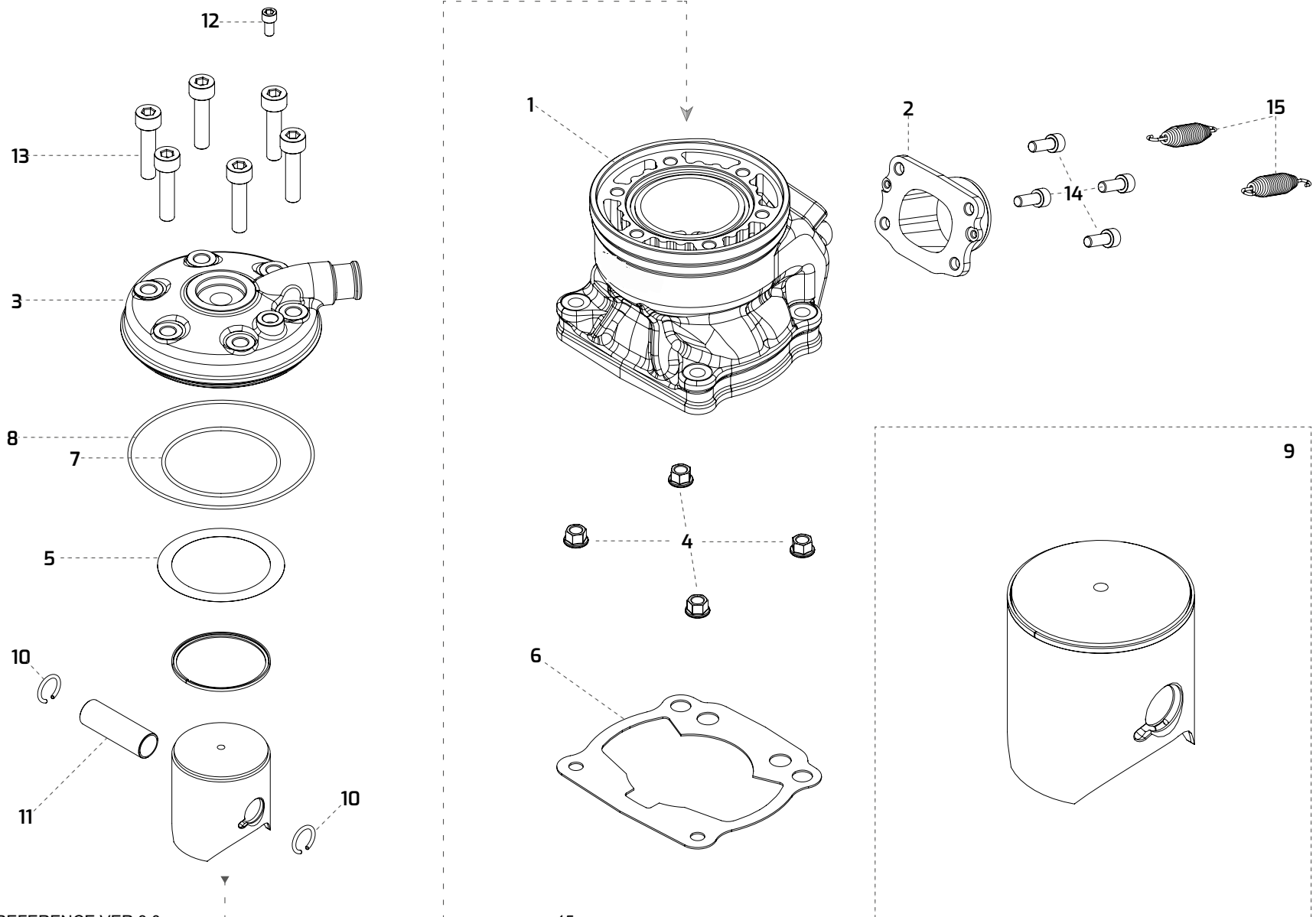


Figure	Codice Code	Quantity	Description
1	X125-220228	1	TAG RED SELETTTRA IGNITION COIL 15500 RPM
2	IM3830	1	NGK BR10 EG SPARK PLUG
2	IM3230	1	NGK BR9 EG SPARK PLUG
3	X125-220222	1	IGNITION KEY
4	X125-110429	1	GROUND CABLE
5	X125-220155	1	IGNITION ROTOR NUT (M12 x 1,25)
6	X125-220225	1	NGK SPARK TB05EMA PLUG BOOT
7	X125-220427	3	PLAIN WASHER 5,3 x 10 x 2,5
8	X125-220563	1	ROTOR NUT WASHER
9	X125-220226	1	TAG SELETTTRA ROTOR
10	X125-220227	1	TAG SELETTTRA STATOR IGNITION
11	X125-220434	3	TCEI SCREW M5 X 30
12	X125-220161	1	TAG COIL SUPPORT
13	X125-220424	2	FLANGE NUT M6
14	X125-220621	2	M6 DAMPENER
15	X125-220623	2	PLAIN WASHER 6,4 X 12 X 1,6
16	X125-220159	2	TCEI SCREW M6 X 5

Ignition system

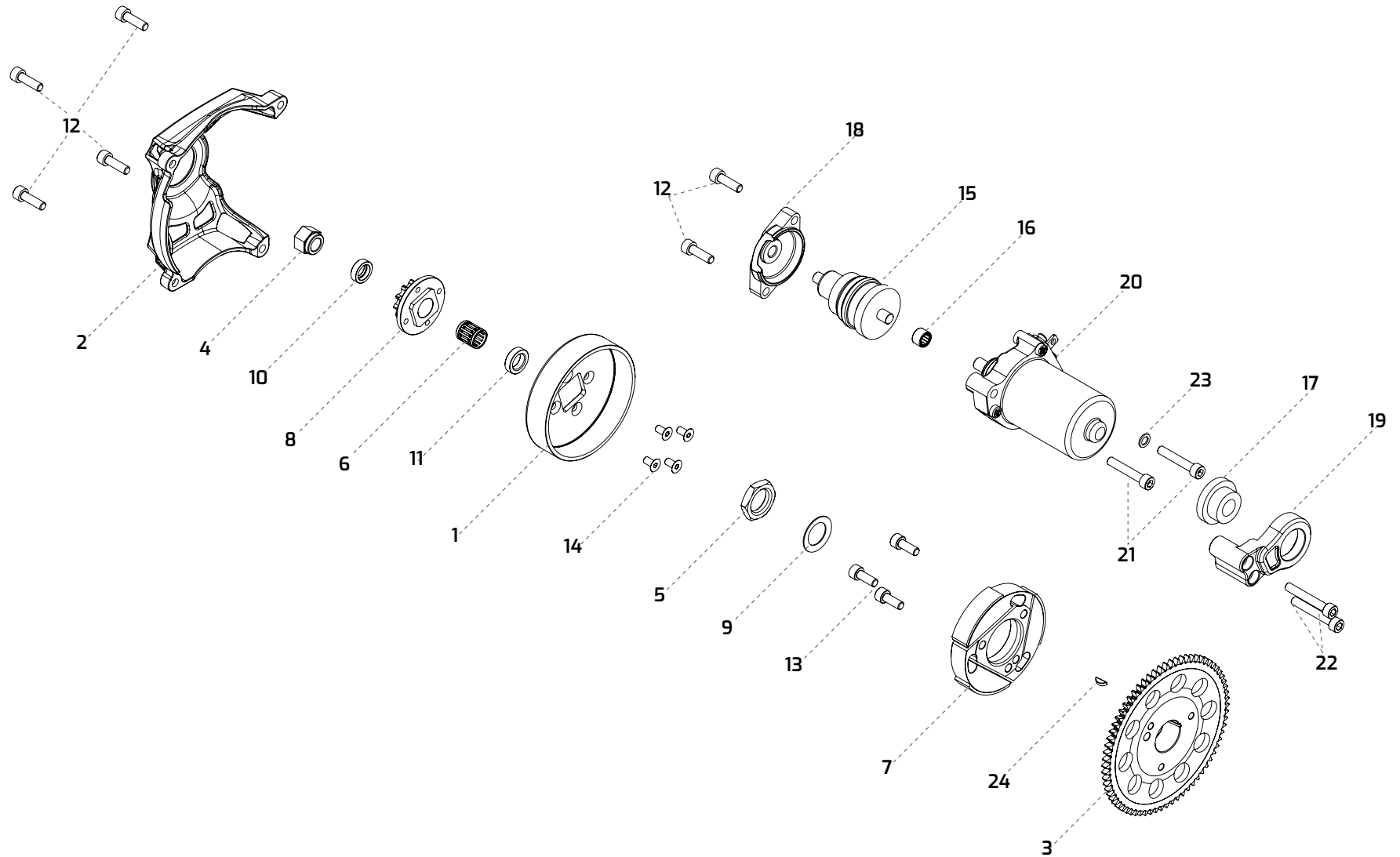
head and cylinder



head and cylinder

Figure	Code	Quantity	Description	
1	X125-220053	1	TAG CYLINDER	
2	X125-220082	1	EXHAUST MANIFOLD	X125-220082-22 (22mm), X125-220082-25 (25mm) X125-220082-30 (30mm)
3	X125-220186	1	TAG HEAD COVER	
4	X125-110420	4	SHOULDER NUT M8	
5	X125-110112	1	COPPER CYLINDER HEAD GASK ET 0,05	
5	X125-110113	1	COPPER CYLINDER HEAD GASK ET 0,10	
5	X125-110114	1	COPPER CYLINDER HEAD GASK ET 0,20	
6	X125-220093	1	CYLINDER BASEMENT GASKET 0,20	
6	X125-220088	1	CYLINDER BASEMENT GASKET 0,30	
6	X125-220089	1	CYLINDER BASEMENT GASKET 0,40	
6	X125-220094	1	CYLINDER BASEMENT GASKET 0,50	
7	X125-110202	1	INNER O-RING 60 X 1,78	
8	X125-110335	1	OUTER O-RING 95 X 1,78	
9	X125-220073	1	PISTON 53,83	
9	X125-220074	1	PISTON 53,84	
9	X125-220075	1	PISTON 53,85	
9	X125-220076	1	PISTON 53,86	
9	X125-220077	1	PISTON 53,87	
9	X125-220078	1	PISTON 53,88	
9	X125-220079	1	PISTON 53,89	
9	X125-220080	1	PISTON 53,90	
9	X125-220083	1	PISTON 53,91	
10	X125-220190	2	PISTON PIN CIRCLIP	
11	X125-220143	1	PISTON PIN	
12	X125-110084	1	TBEI SCREW M5 X 10	
13	X125-220144	6	TBEI SCREW M8 X 35	
14	X125-220132	4	TCEI SCREW M6 X 16	
15	X125-220072	2	EXHAUST SPRING	

Engine starting group



Engine starting group

Figure	Code	Quantity	Description
1	X125-220191		CLUTCH DRUM
2	X125-220062		CLUTCH COVER
3	X125-220174		STARTER GEAR Z70 X125T
4	X125-220170		NUT CLUTCH M10 ch 17
5	X125-220036		M19 NUT
6	X125-220221		CLUTCH BEARING 12 X 15 X 17
7	X125-220128		PADDED CLUTCH HUB
8	X125-220192		PINION FOR CLUTCH COVER 2021 Z10
8	X125-220193		PINION FOR CLUTCH COVER 2021 Z11
8	X125-220303		PINION FOR CLUTCH COVER 2021 Z12
9	X125-220039		COUNTERWEIGHT WASHER
10	X125-220194		CLUTCH OUTER SPACER TAG
11	X125-220195		INNER CLUTCH SPACER TAG
12	X125-110400		TCEI SCREW M6 X 20
13	X125-220132		TCEI SCREW M6 x 16
14	X125-220198		TORX T5 M5 X 10 BOLT
15	X125-220090		BENDIX
16	X125-220156		ROLLER BEARING HK0808 FOR BENDIX
17	X125-220151		STARTER MOTOR SUPPORT RUBBER
	X125-220173		BRUSHES KIT
18	X125-220150		BENDIX SUPORT
19	X125-220152		STARTER MOTOR SUPPORT
20	X125-220022		STARTER MOTOR
21	X125-110160		TCEI SCREW M6 X 35
22	X125-110164		TCEI SCREW M6 X 40
23	X125-220024		PLAIN WASHER 6,4 x 12 x 1,6
24	X125-220063		IGNITION KEY

Exhaust system

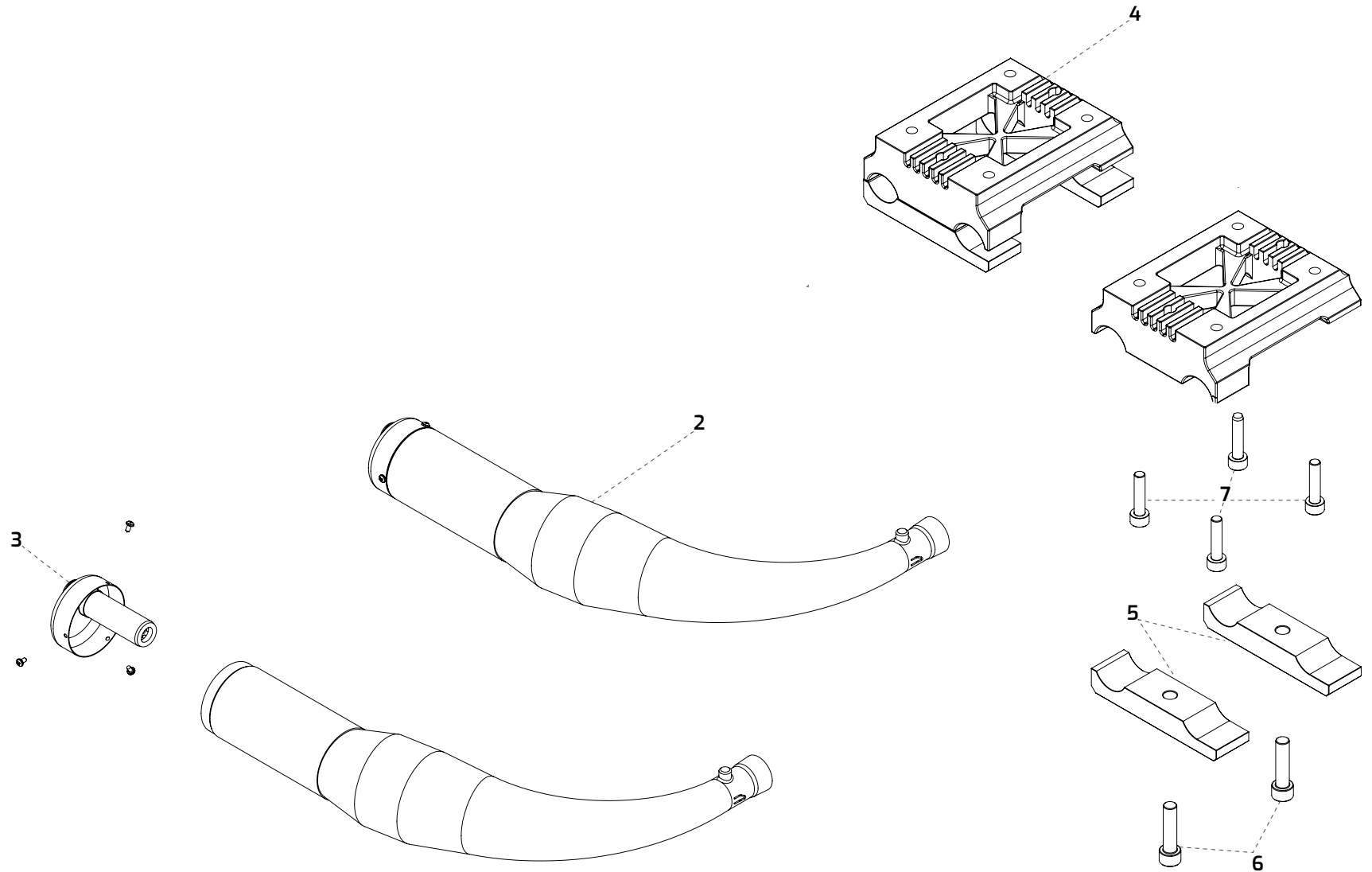


Figure	Code	Quantity	Description
2	X125-220025		TAG EXHAUST PIPE
3	X125-220026		CHROMIUM TERMINAL
4	IM600-23		COMPLETE ENGINE MOUNT
5	IM600-23-B		ENGINE PLATE MOUNTING CLAMP
6	X125-110592		SCREW M10X40
7	X125-110449		SCREW M8X40

Exhaust system