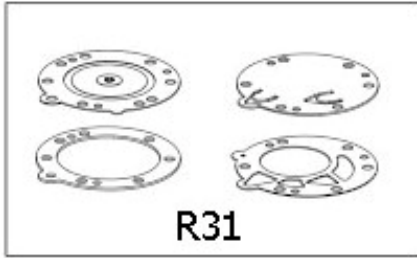
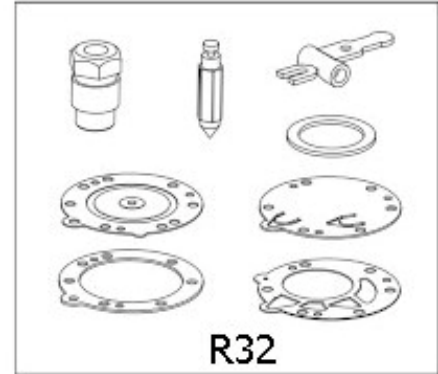




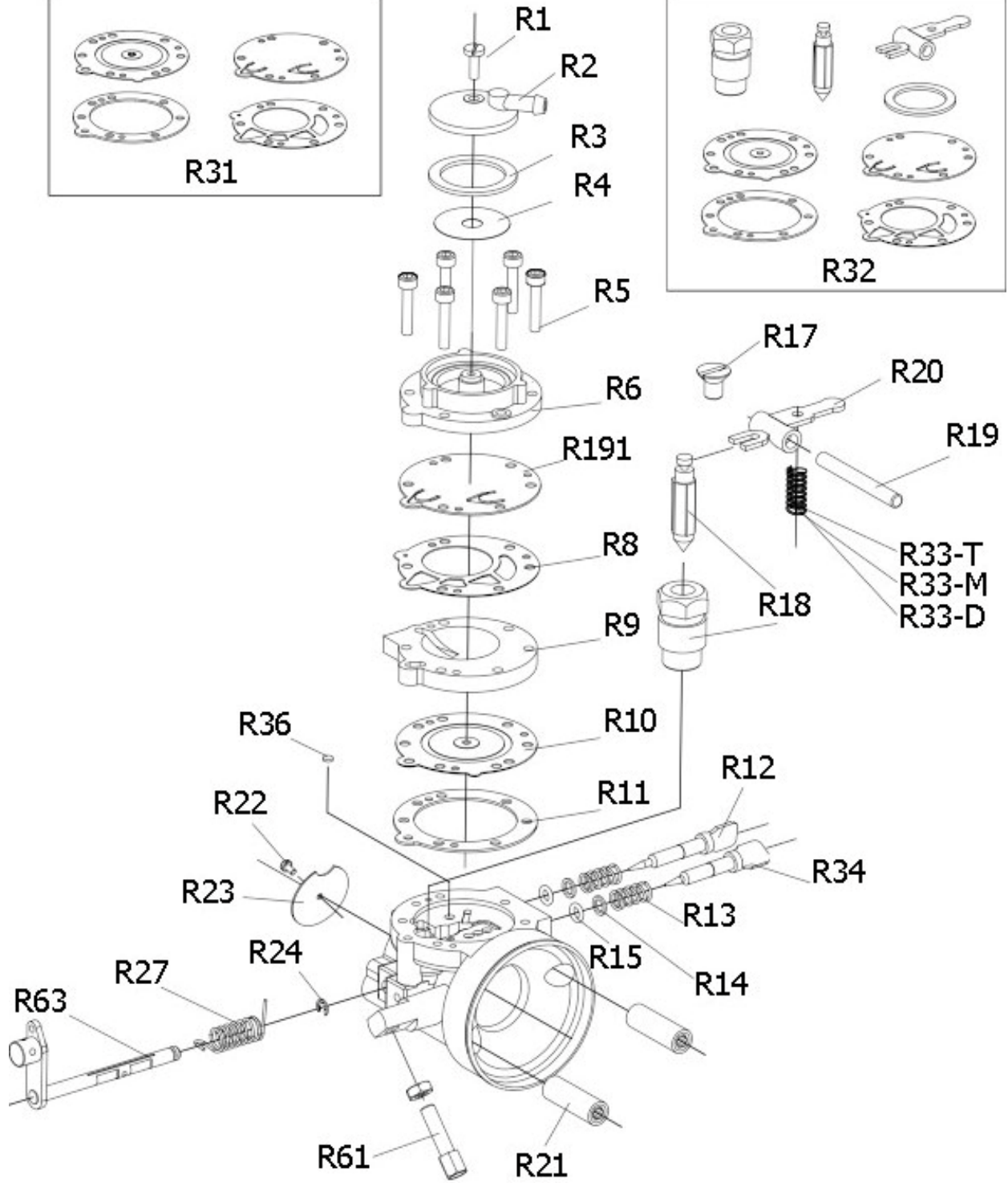
TRYTON M1 24mm Carburetor Spare Parts List



R31



R32





TRYTON M1 24mm

Carburetor Spare Parts

R1 = Cover Screw

R2 = Tryton Filter Cover

R3 = Cover Gasket

R4 = Fuel Screen

R5 = Carb Body Screw

R6 = Valve Body

R8 = Pump Diaphragm Gasket

R9 = Pump Body

R10 = Diaphragm

R11 = Diaphragm Gasket

R12 = Low Speed Needle

R13 = Needle Spring

R14 = Needle Washer

R15 = Needle O-Ring

R18 = Needle Valve Complete Hole D. 1.6

R19 = Lever Pin

R20 = Inlet Lever

R21 = Carburetor Bolt

R22 = Throttle Shutter Screw

R23 = Throttle Shutter D.27.2

R24 = Retainer Clip D.3.2

R27 = Shaft Spring

R31 = Diaphragm and Gasket Kit

R32 = Complete Repair Kit with Valve Hole D.1.6

R33-D = Hard Pressure Spring

R33-M = Medium Pressure Spring

R33-T = Soft Pressure Spring

R34 = High Needle Spring

R36 = Plag D.4

R61 = Register Cable Guide

R63 = Shaft Shutter