

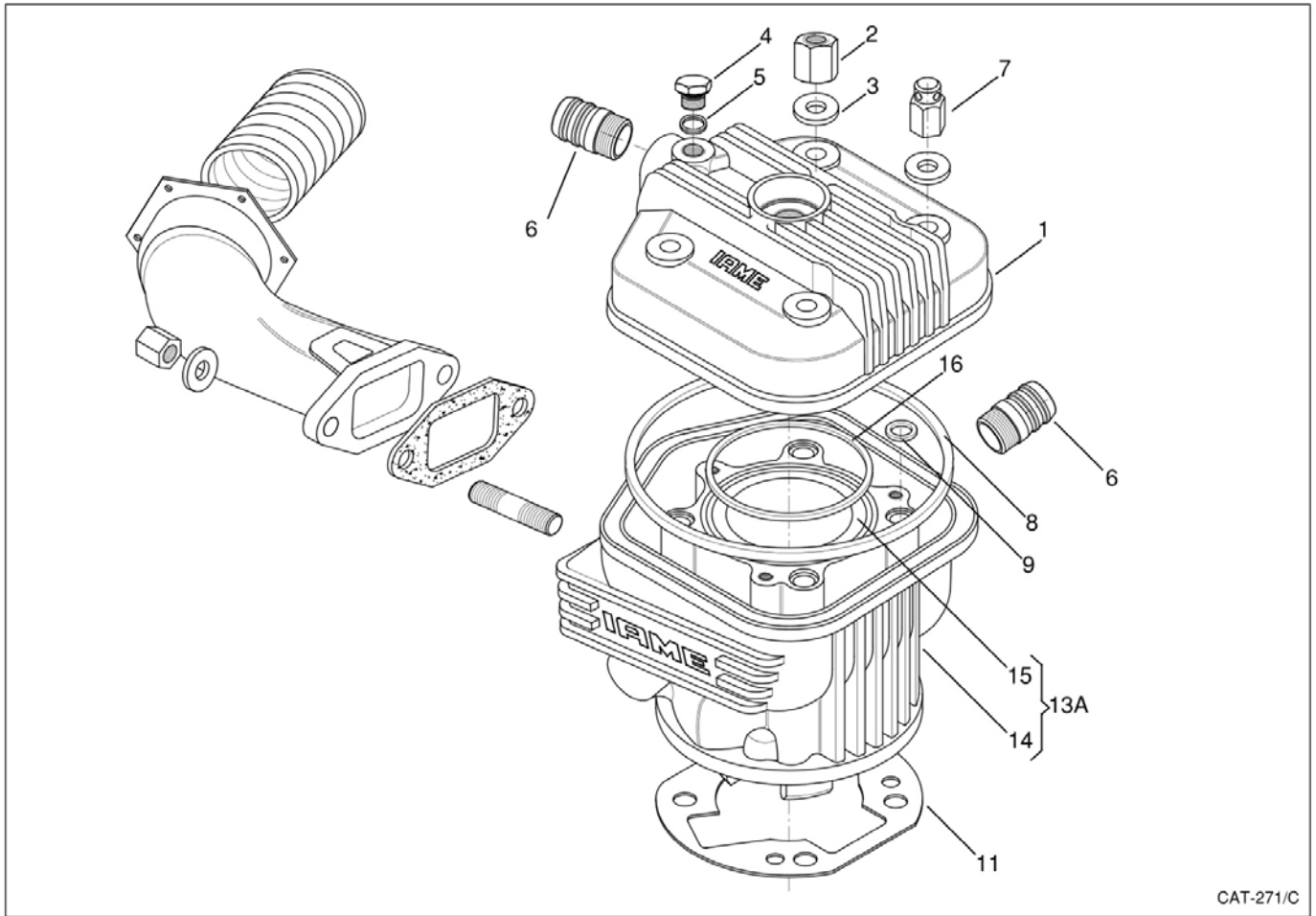
IAME

The heart of kart

IAME - NORDAM



HEAD AND CYLINDER

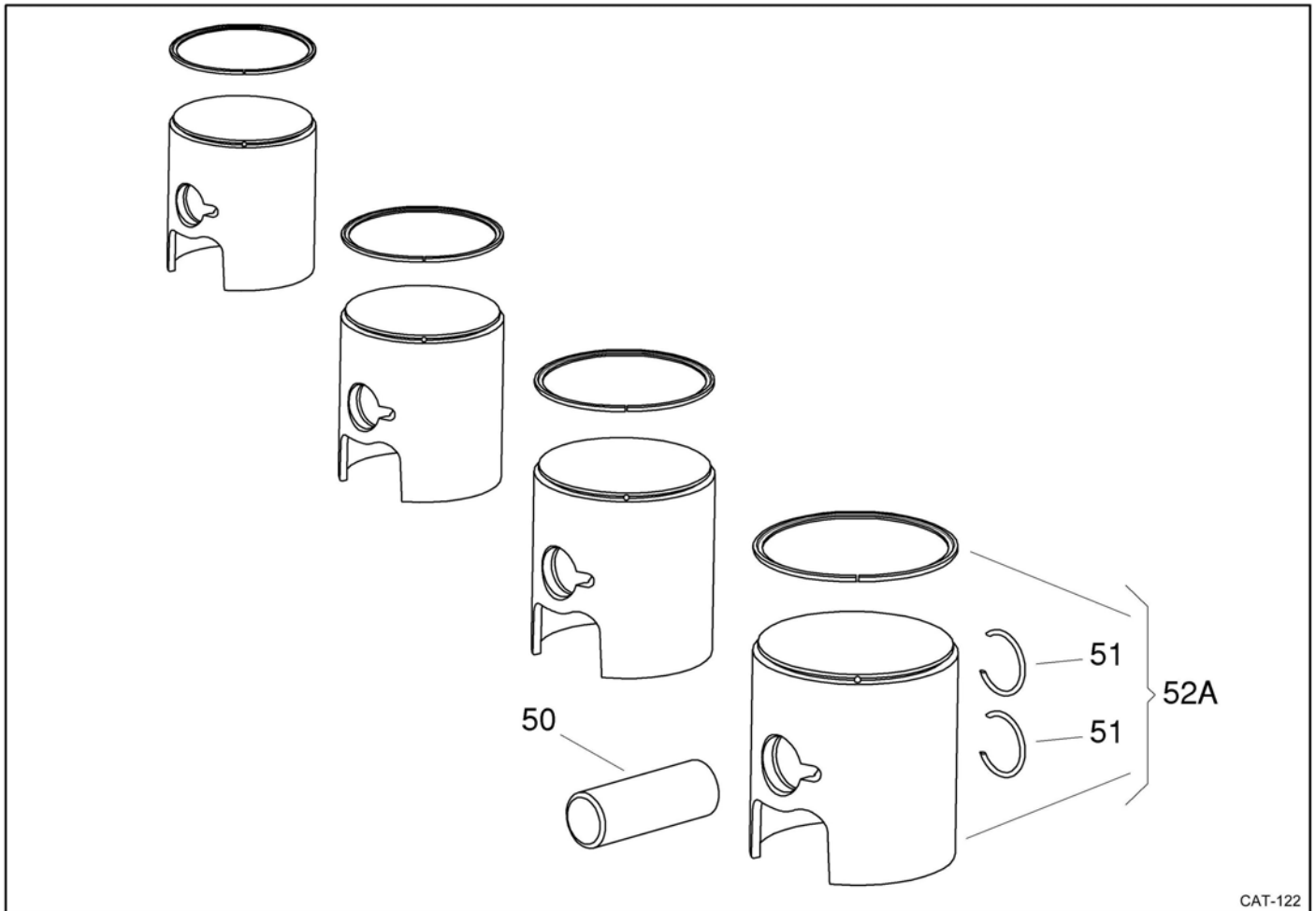


CAT-271/C

RICAMBI / SPARES

POS	COD	DESCR	PRICE
001	IAA-40142	CYL. HEAD DRAGON 10.7cc	
002	10352	HEAD SEAL NUT	
003	10635	HEAD NUT WASHER H=3mm	
004	B-25840	TEMP. GAUGE PLUG	
005	B-25845	TEMP. GAUGE PLUG GASKET	
006	IFA-40500	WATER PIPE FITTING	
007	10350	HEAD NUT	
008	F-38820	HEAD GASKET OR	
009	B-25825	OR STUD-BOLT	
011	EBP-125045	CYL. GASKET 4/10 SUD-TOP/X30	
011	EBP-125046	CYL. GASKET 2/10 SUD-TOP/X30	
011	EBP-125047	SUD-125-TOP/X30 CYL.GASK. 0.10	
011	EBP-125048	SUD-125-TOP/X30 CYL.GASK.0.05	
013A	IAA-01042	CYLINDER DRAGON-125	
016	D-37049	HEAD GASKET OR 3237	

PISTON

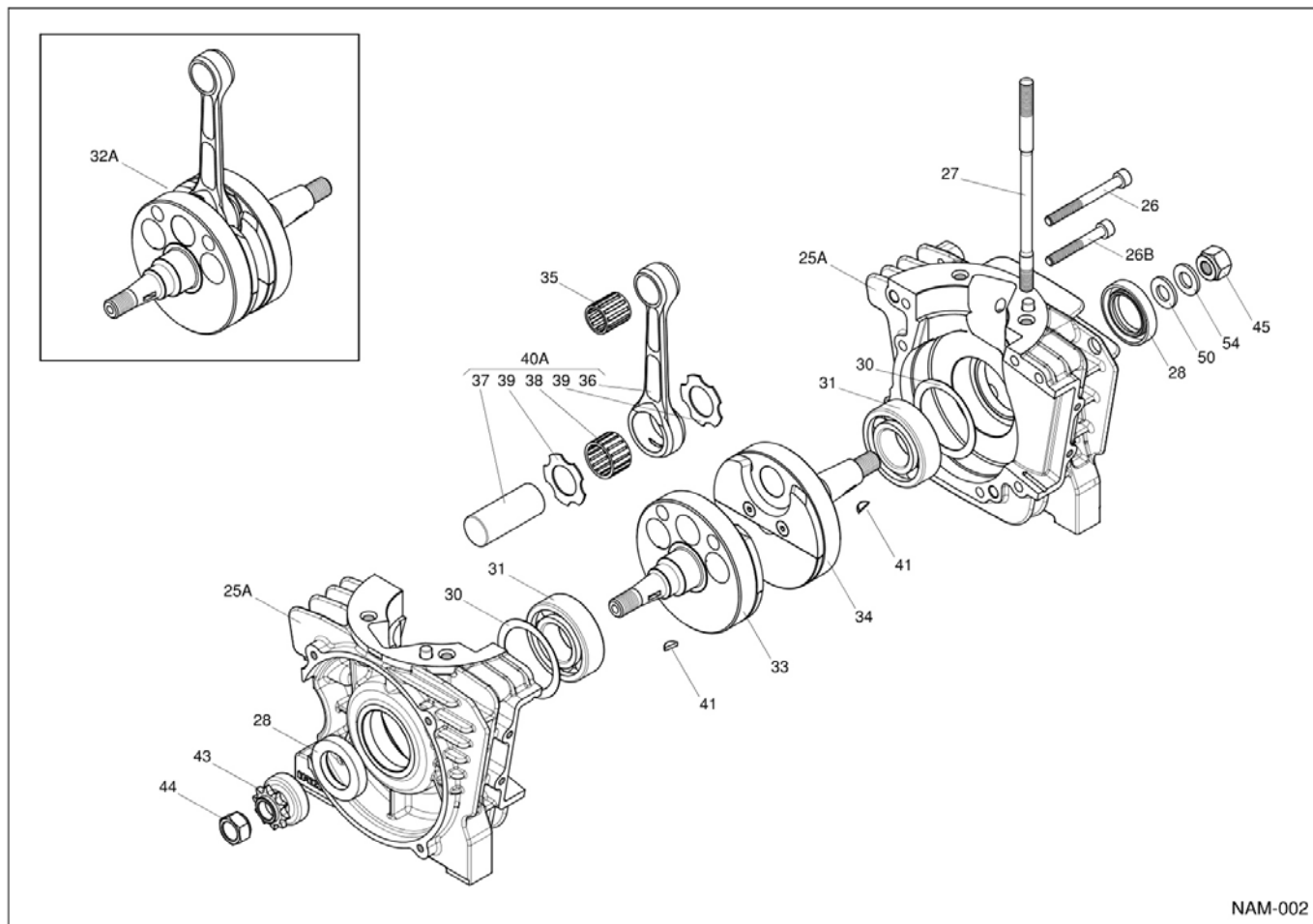


CAT-122

RICAMBI / SPARES

POS	COD	DESCR	PRICE
050	IFA-20900	PISTON PIN XTR	
051	10341-A	CIRCLIP W/OUT TAILS	
052A	GBP-125051-CR	PISTON COMPL. SUD'13 53.89r	
052A	GBP-125051-CV	PISTON COMPL. SUD'13 53.89v	
052A	GBP-125053-CR	PISTON COMPL. SUD'13 53.91r	
052A	GBP-125053-CV	PISTON COMPL. SUD'13 53.91v	
052A	GBP-125056-CR	PISTON COMPL. SUD'13 53.93r	
052A	GBP-125056-CV	PISTON COMPL. SUD'13 53.93v	
052A	GBP-125059-CR	PISTON COMPL. SUD'13 53.95r	
052A	GBP-125059-CV	PISTON COMPL. SUD'13 53.95v	
052A	GBP-125062-CR	PISTON COMPL. SUD'13 53.97r	
052A	GBP-125062-CV	PISTON COMPL. SUD'13 53.97v	
052A	GBP-125065-CR	PISTON COMPL. SUD'13 53.99r	
052A	GBP-125065-CV	PISTON COMPL. SUD'13 53.99v	
052A	GBP-125068-CR	PISTON COMPL. SUD'13 54.01r	
052A	GBP-125068-CV	PISTON COMPL. SUD'13 54.01v	
052A	GBP-125074-CR	PISTON COMPL. SUD'13 54.05r	
052A	GBP-125074-CV	PISTON COMPL. SUD'13 54.05v	
052A	GBP-125080-CR	PISTON COMPL. SUD'13 54.09r	
052A	GBP-125080-CV	PISTON COMPL. SUD'13 54.09v	
052A	GBP-125086-CR	PISTON COMPL. SUD'13 54.13r	
052A	GBP-125086-CV	PISTON COMPL. SUD'13 54.13v	

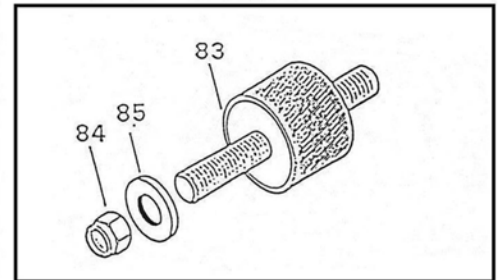
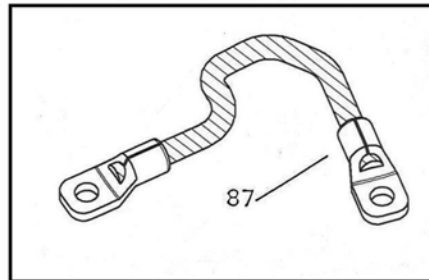
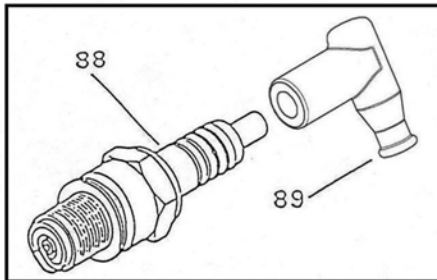
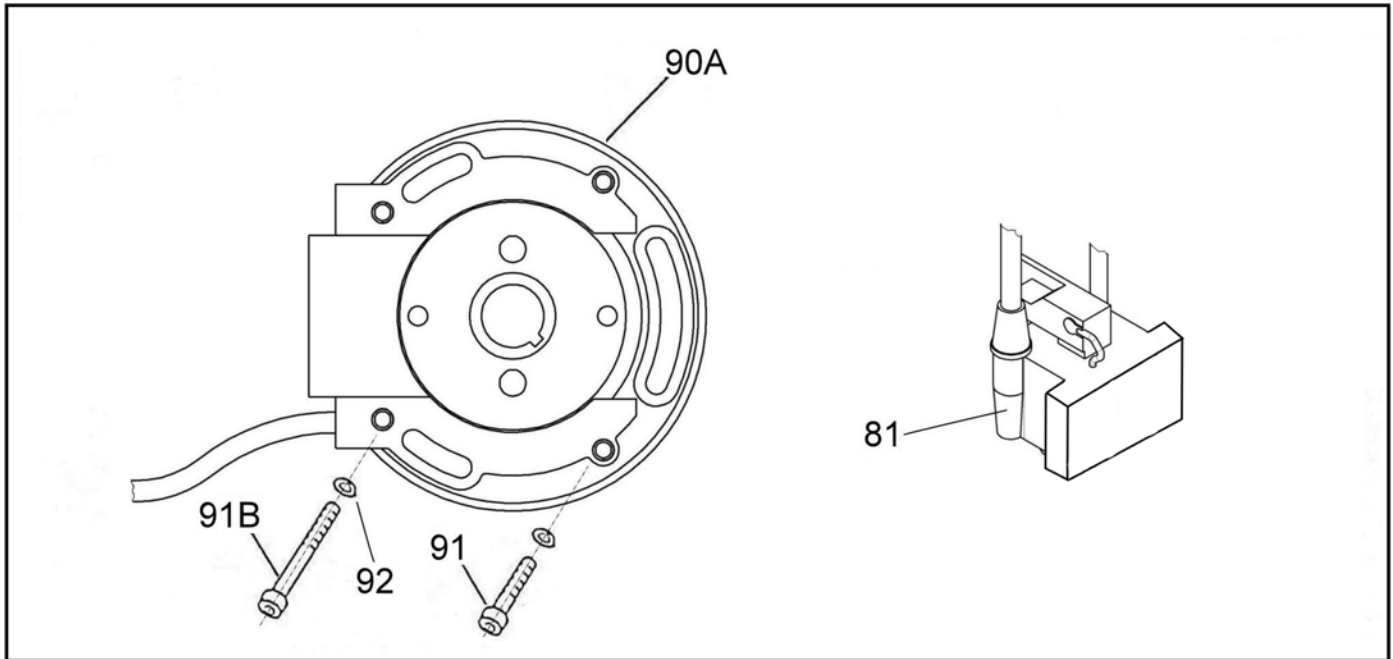
CRANKCASE & CRANKSHAFT



RICAMBI / SPARES

POS	COD	DESCR	PRICE
025A	GBP-125487	CRANKCASE SUDAM 125RL-TOP TaG	
026	00051-K	KIT OF 20 ALLEN SCREWS 6x55	
026B	00049-K	KIT OF 20 ALLEN SCREWS 6x45	
027	B-25347	CYLINDER TIE-ROD 8x153	
028	X30125425A	OIL SEAL MAGN./DRIVE SIDE	
030	X30125436	SILVER BRONZE WASHER	
031	35396-F	BALL-BEARING SKF 6205 TN9/C4	
033	GBP-125385B	DR.S.H.CRANKSH.SUD-MY'13	
034	GBP-125390B	MAG.S.H.CRANKS.SUD-MY'13	
035	E-10440	SMALL END CAGE	
036	IFC-50100	X30 CONROD 102mm	
037	IAC-40140	CRANKPIN DRAGON 20x47mm	
038	X30125431	BIG END CAGE	
039	X30125436	SILVER BRONZE WASHER	
040A	IFC-50100-47	CONROD mm 102-pin 47 SUD-MY'09	
041	11715	SHAFT END/SPROCKET/MAGNETO KEY	
043	10533-A	SPROCKET 10 TEETH J	
044	10535	SPROCKET AND MAGNETO NUT	
045	00382	NUT M10x1	
050	00305-K	KIT OF 20 WASHERS M10	
054	00342-K	KIT 20 WASHERS 10,5x18x0,8	

ANALOGICAL IGNITION PVL

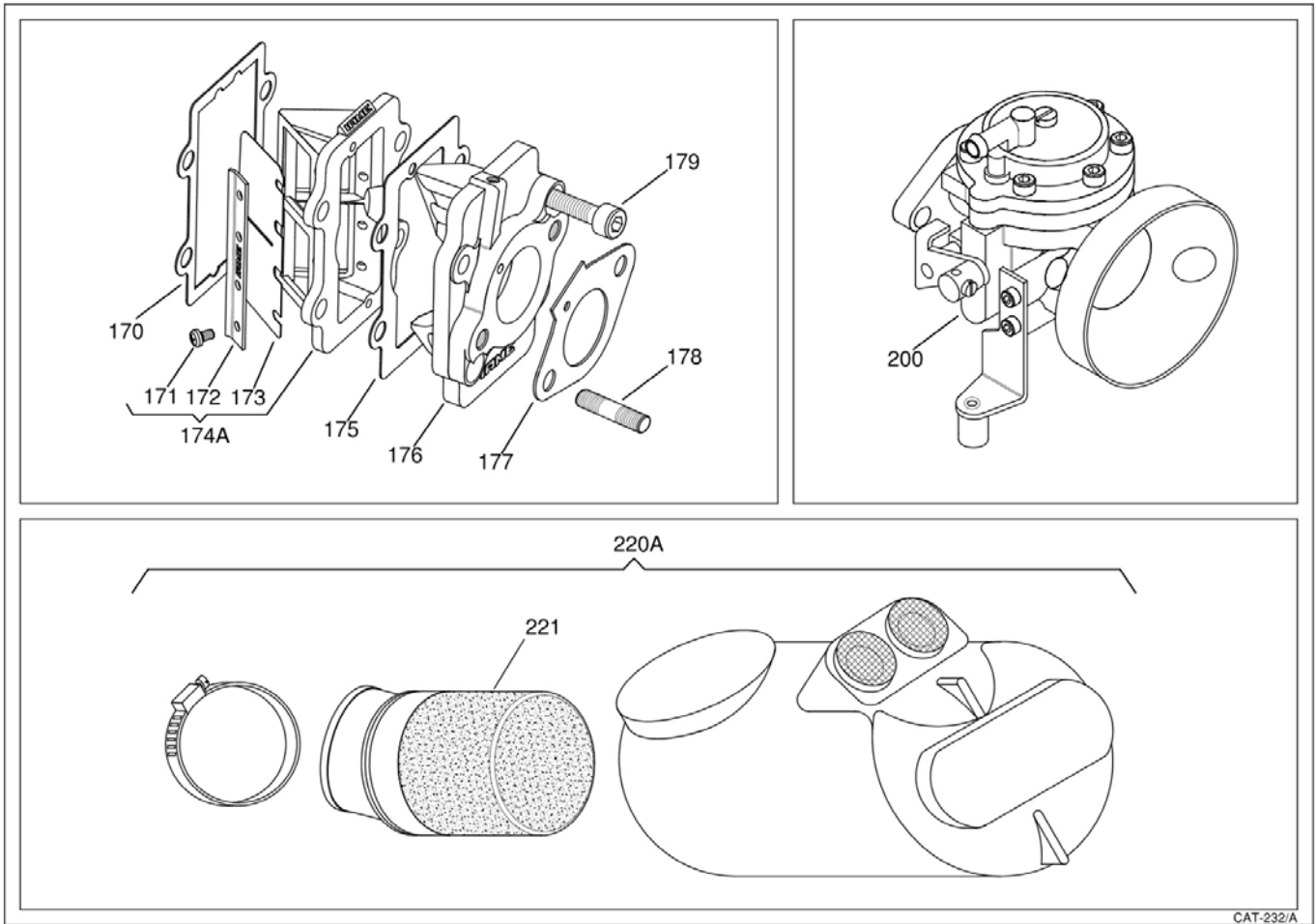


CAT-200B

RICAMBI / SPARES

POS	COD	DESCR	PRICE
081	10026	PVL COIL	
083	B-35810	COIL DAMPENER	
084	00376-K	20 SELF LOCK.NUTS KIT M5	
085	00301-K	KIT 20 WASHERS M5	
087	B-35805-A	COIL GROUND CABLE	
088	10561-A	SPARK PLUG NGK BR10EG	
089	10544	PVL SPARK CAP	
090A	10016-E	PVL IGNITION	
091	00036-K	KIT OF 20 ALLEN SCREWS 5x30	
091B	00039-K	KIT OF 20 ALLEN SCREWS 5x40	
092	00301-K	KIT 20 WASHERS M5	

INLET

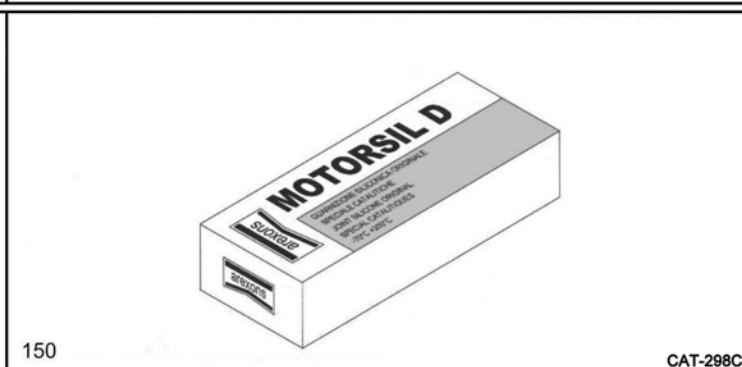
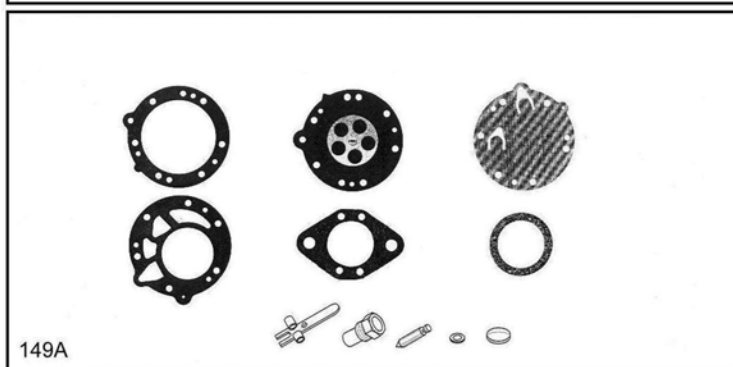
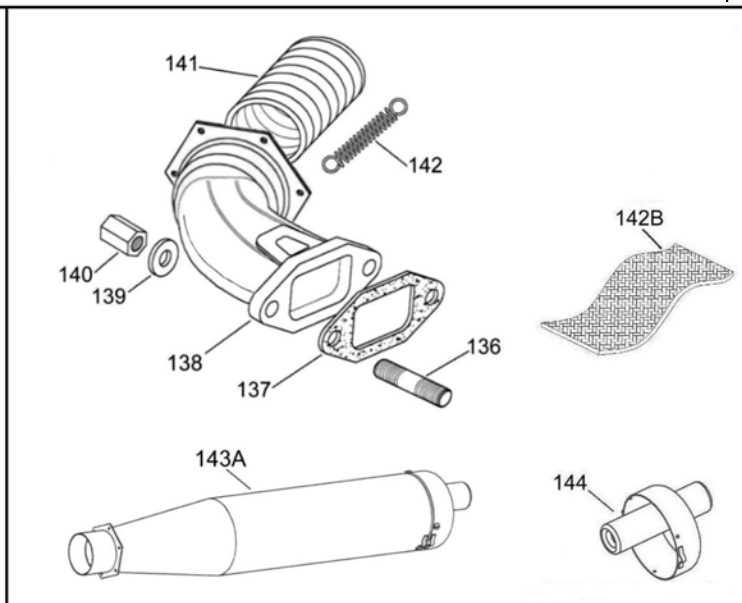
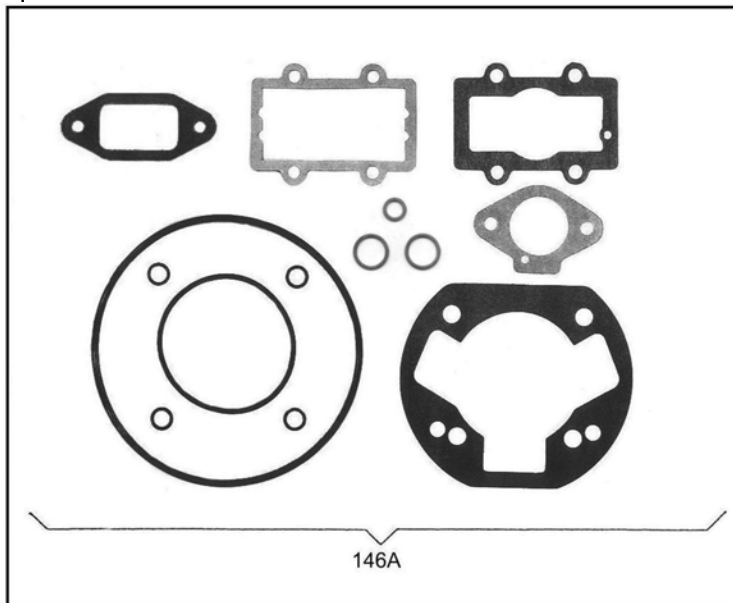


CAT-232/A

RICAMBI / SPARES

POS	COD	DESCR	PRICE
170	F-11810	REED GR.GASKET TOP-RL	
171	10380-K	KIT 20 SCREWS 1/2 CR.HEAD 3X5	
172	F-11845A	REED CLIPS	
173	F-11842-C	KIT 2 TOP R.PETAL 0.26/0.28	
174A	F-11830B-C	REEDS GROUP TOP	
175	F-11805	TOP CONVEYOR GASKET	
176	X30125815A	CONVEYOR mm.28	
177	10360-A	CARBURETOR GASKET	
178	F-40525	STUDBOLT M6x30	
179	00045-K	20 SOCKET H. SCREWS M6X25 KIT	
200	10948A	CARBURETOR TRYTON HB27-C 26mm	
220A	10743-C1	COMPLETE INTAKE SILENCER	
221	10751-A	RUBBER HOSE WITH FOAM FILTER	

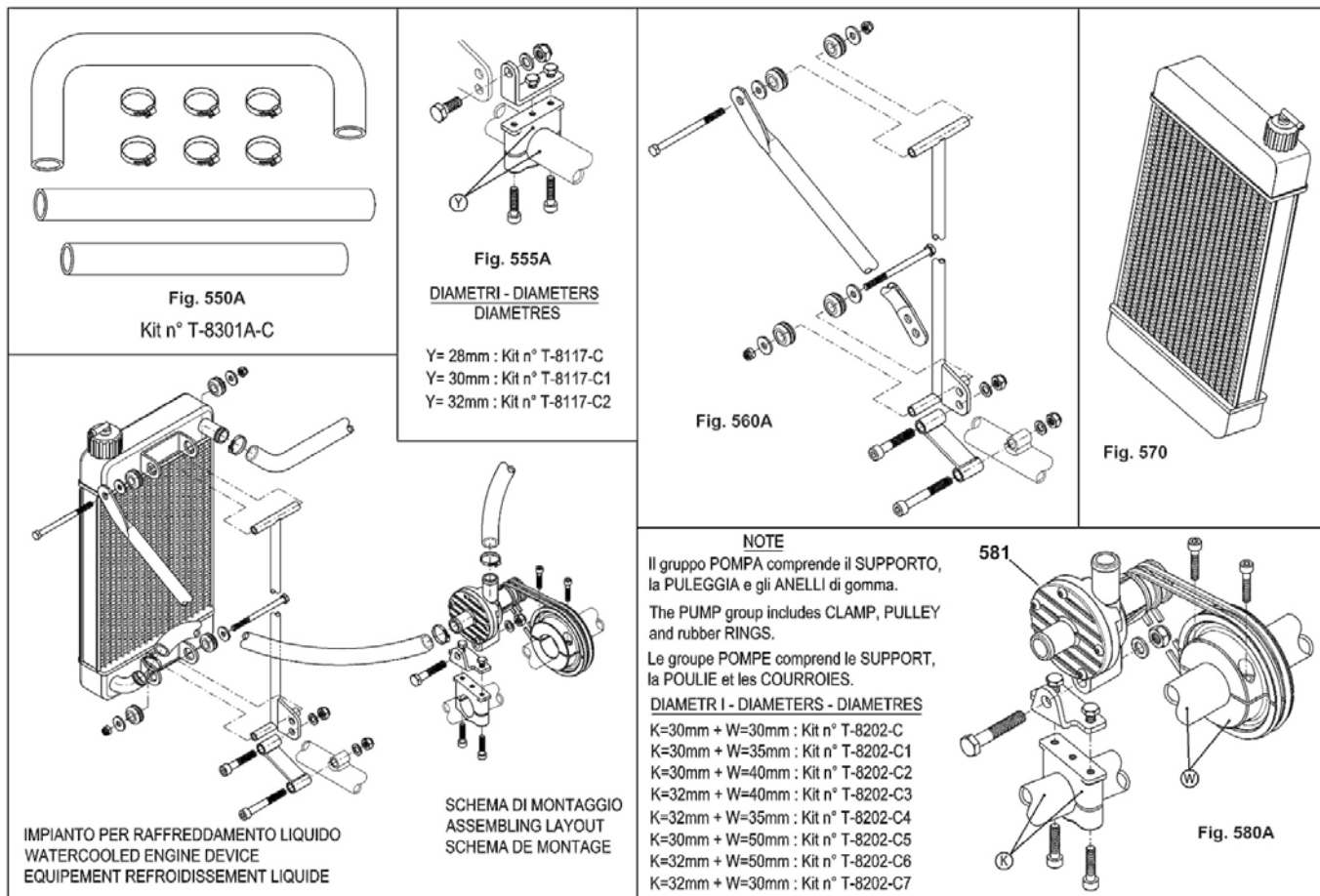
EXHAUST GRUOP & GASKETS SET



RICAMBI / SPARES

POS	COD	DESCR	PRICE
136	B-75355	EXHAUST STUDBOLT 8x36	
137	B-75360	EXHAUST GASKET	
138	G-100365A	EXHAUST PIPE	
139	00332-K	KIT OF 20 ELAST. WASHERS M8	
140	B-71662	8mm EXHAUST NUT	
141	10711-B	FLEXIBLE L=13 cm.	
142	10785	FLEXIBLE SPRING	
142B	A-60735	FIBER STRIP FOR FLEX	
143A	X30125718	SILENCER X30	
144	X30125721	SILENCER END X30	
149A	10949A	KIT CARB. HB27 VALV D. 1,6	
150	00602	LIQUID GASKET AREXON	

WATER COOLING SYSTEM

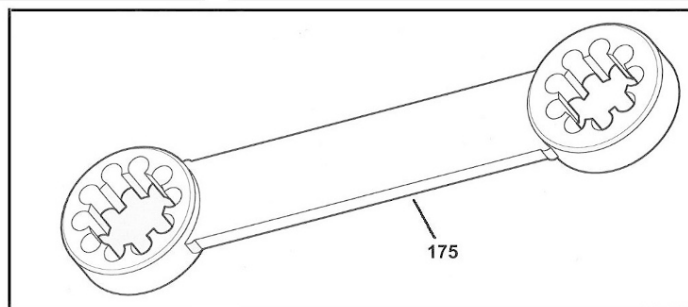
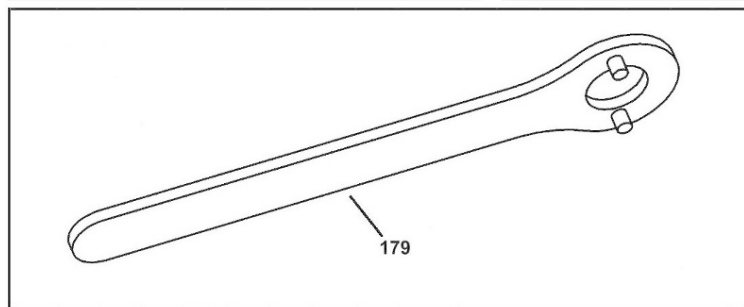
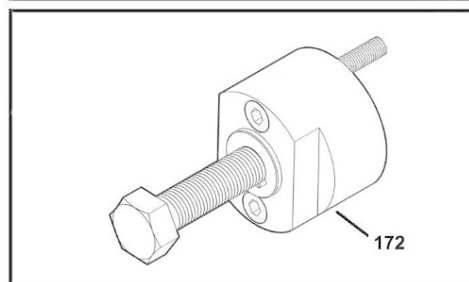
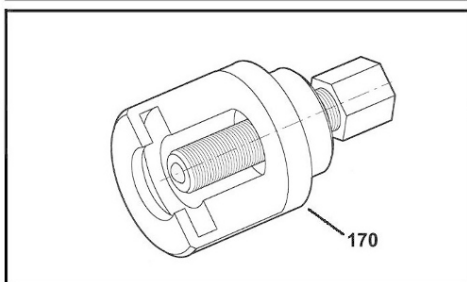
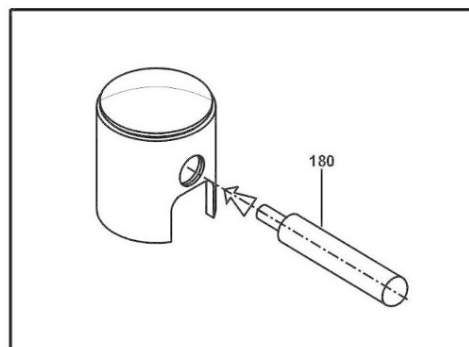
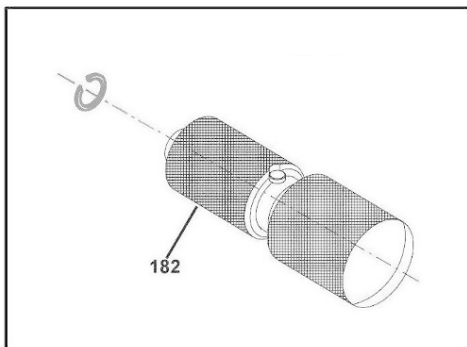
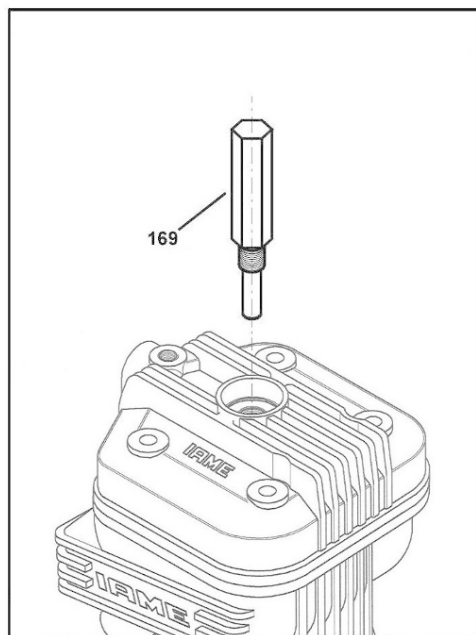


CAT-244

RICAMBI / SPARES

POS	COD	DESCR	PRICE
550A	T-8301A-C	COMPLETE PIPE KIT n.t.	
555A	T-8117-C	RADIATOR CLAMP KIT mm 28	
555A	T-8117-C1	RADIATOR CLAMP KIT mm 30	
555A	T-8117-C2	RADIATOR CLAMP KIT mm 32	
560A	T-8132B-C	RADIATOR SUPPORT KIT 32mm	
570	T-8000B	RADIATOR L=410mm	
580A	T-8202-C	PUMP GROUP mm 30/30	
580A	T-8202-C1	PUMP GROUP mm 30/35	
580A	T-8202-C2	PUMP GROUP mm 30/40	
580A	T-8202-C3	PUMP GROUP mm 32/40	
580A	T-8202-C4	PUMP GROUP mm 32/35	
580A	T-8202-C5	PUMP GROUP mm 30/50	
580A	T-8202-C6	PUMP GROUP mm 32/50	
580A	T-8202-C7	PUMP GROUP mm 32/30	
581	T-8202	WATER PUMP	

PULLER & TOOLS

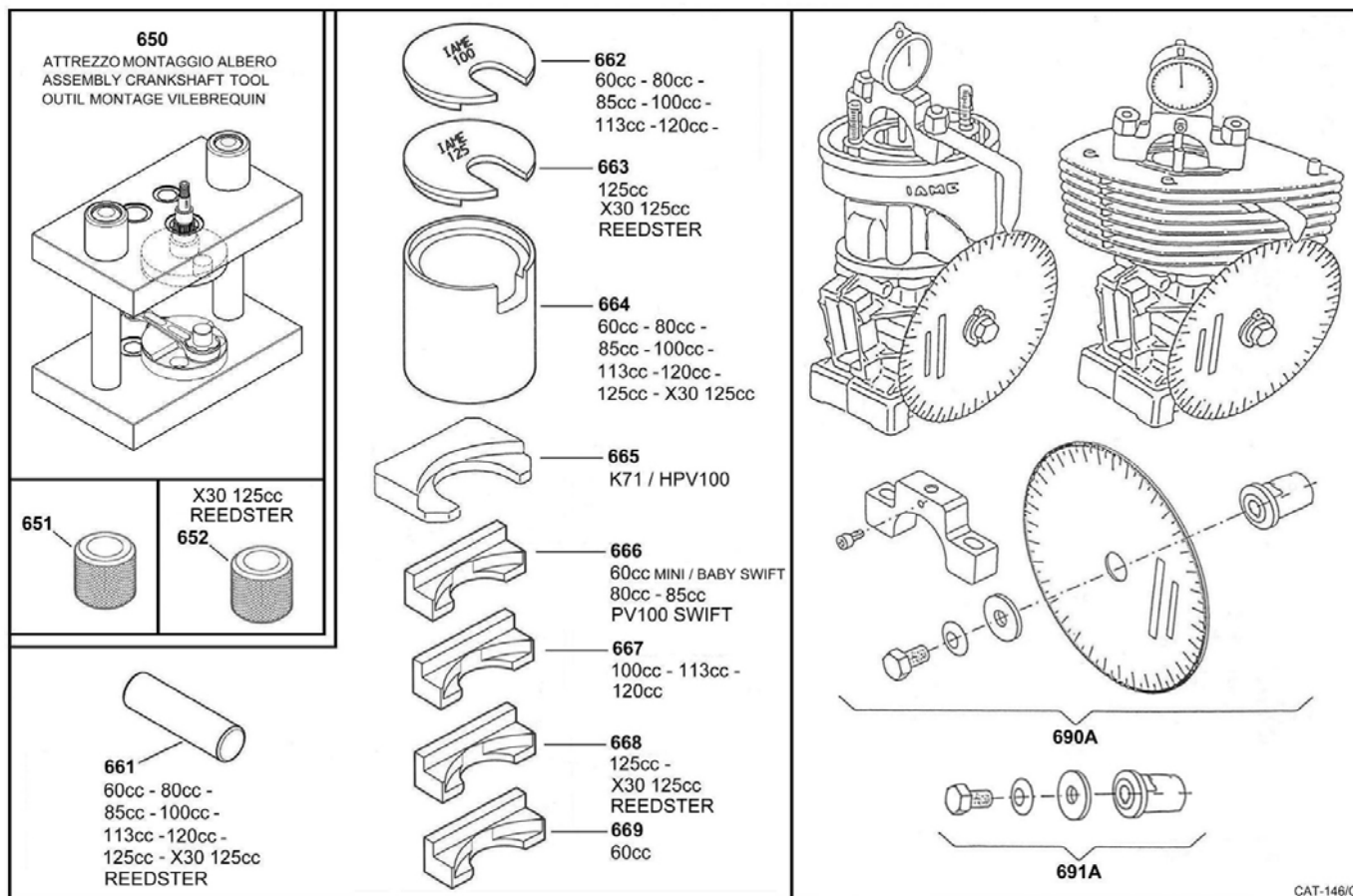


CAT-272

RICAMBI / SPARES

POS	COD	DESCR	PRICE
169	10271	PISTON STROKE LOCKER	
170	10612	SPROCKET PULLER	
172	10826-C	ROTOR PULLER PVL/SELETTRA	
175	10171	SPROCKET WRENCH 9/10 TEETH	
179	10137	ROTOR WRENCH PVL/SELETTRA	
180	10200	PISTON PIN PUNCH 125cc	
182	10120	CIRCLIP ASSEMBLING TOOL	

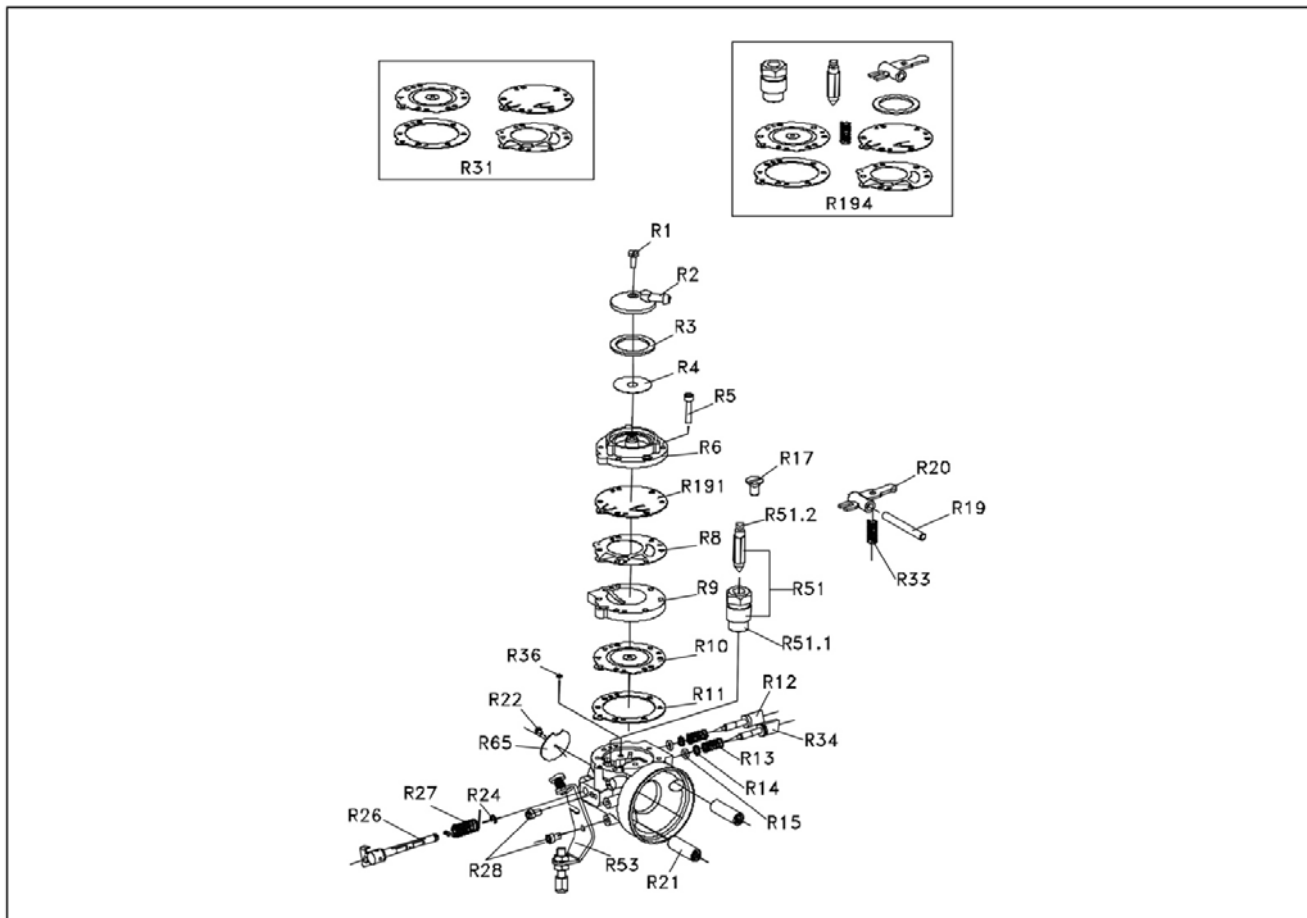
Cranksh.Ass./Disass. Timing control group



RICAMBI / SPARES

POS	COD	DESCR	PRICE
391A	10828-C	TAG COMPL.TIMING GROUP M10	
650	10110A	CRANKSHAFT ASSY TOOL	
652	10150A	CRANK-PIN BUSH mm20	
661	10107	CRANK-PIN PUSHER	
663	10104A	CRANKSHAFT PLATE 125cc	
664	10100	CRANKSH. DISASSY SUPPORT	
668	10106	CRANKSHAFT INSERT 125cc-SUP	
690A	10820A	TIMING GROUP TaG/REEDSTER	

CARBURETOR TRYTON HB-27C



CAT-315/A

RICAMBI / SPARES

POS	COD	DESCR	PRICE
R001	10901	COVER SCREW TRYTON HB27	
R002	10900	FILTER COVER TRYTON HB27	
R003	10948A-R3	COVER GASKET	
R004	10948A-R4	FUEL SCREEN FILTER HB27	
R005	10948A-R5	BODY SCREW HB27	
R008	10948A-R8	PUMP DIAPHRAGM GASKET	
R009	10948A-R9	LOWER COVER	
R010	10948A-R10	DIAPHRAGM HB27	
R011	10953	MAIN DIAPHRAGM GASKET	
R012	10948A-R12	IDLE SETTING SCREW	
R013	10948A-R13	SPRING - ADJUSTMENT SCREW	
R014	10948A-R14	NEEDLE WASHER	
R015	10948A-R15	O'RING ADJUSTMENT SCREW	
R017	10948A-R17	LEVER SCREW	
R019	10948A-R19	LEVER PIN	
R020	10948A-R20	LEVER	
R021	10897	STUDBOLT CARB. PUMA / X30	
R022	10948A-R22	BUTTERFLY SCREW	
R024	10948A-R24	LOCKER RING	
R026	10954	SHAFT CARB. TRYTON HB27	
R027	10956	SPRING CARB. SHAFT TRYTON HB27	
R028	10948A-R28	BRACKET SCREW	
R031	10948A-R31	GASKET KIT	
R033	10948A-R33	ROCKER ARM SPRING	
R034	10948A-R34	MAXIMUM SETTING SCREW	
R051	10948A-R51	NEEDLE VALVE	
R053	10948A-R53	SPRING HOLDER BRACKET	
R065	10898	BUTTERFLY FOR TRYTON CARB.	
R191	10948A-R191	PUMP DIAPHRAGM	
R194	10948A-R194	KIT CARB. HB27 VALV D. 2,3	