

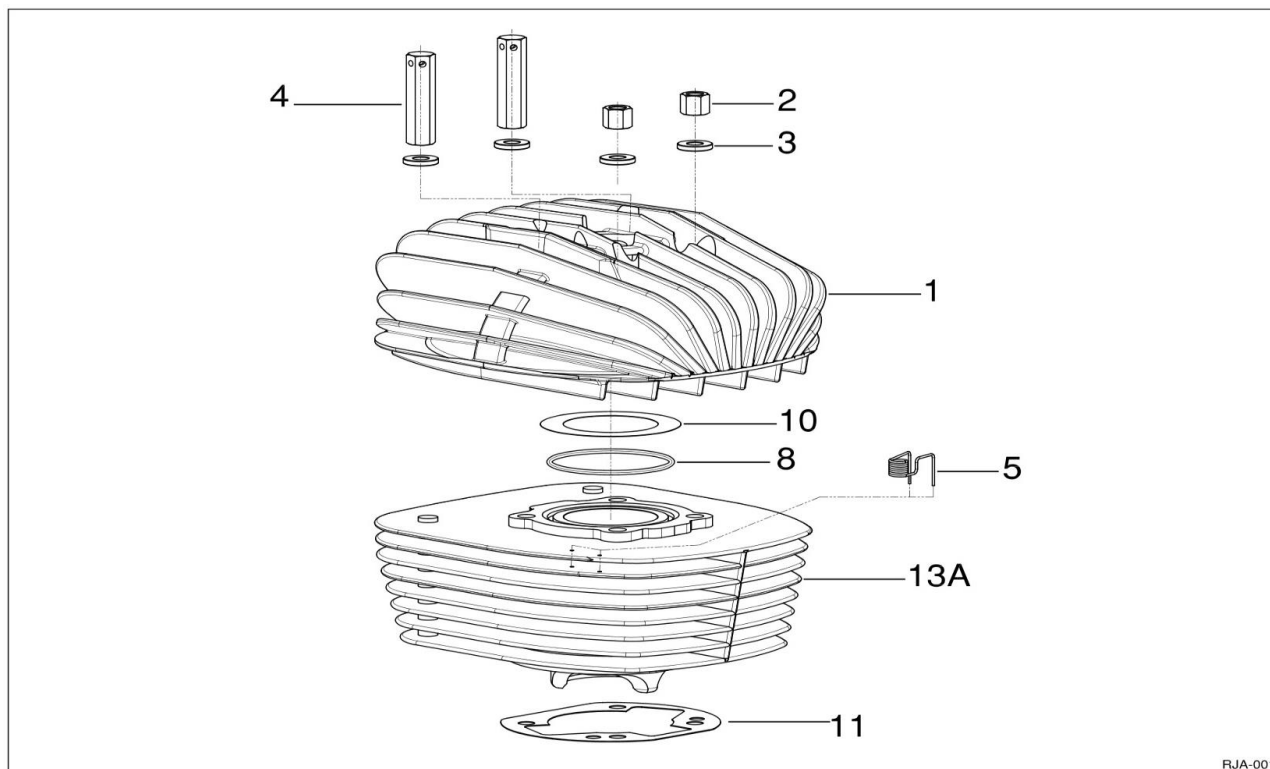
# IAME

The heart of kart

*IAME - REEDJET - 100cc USA*

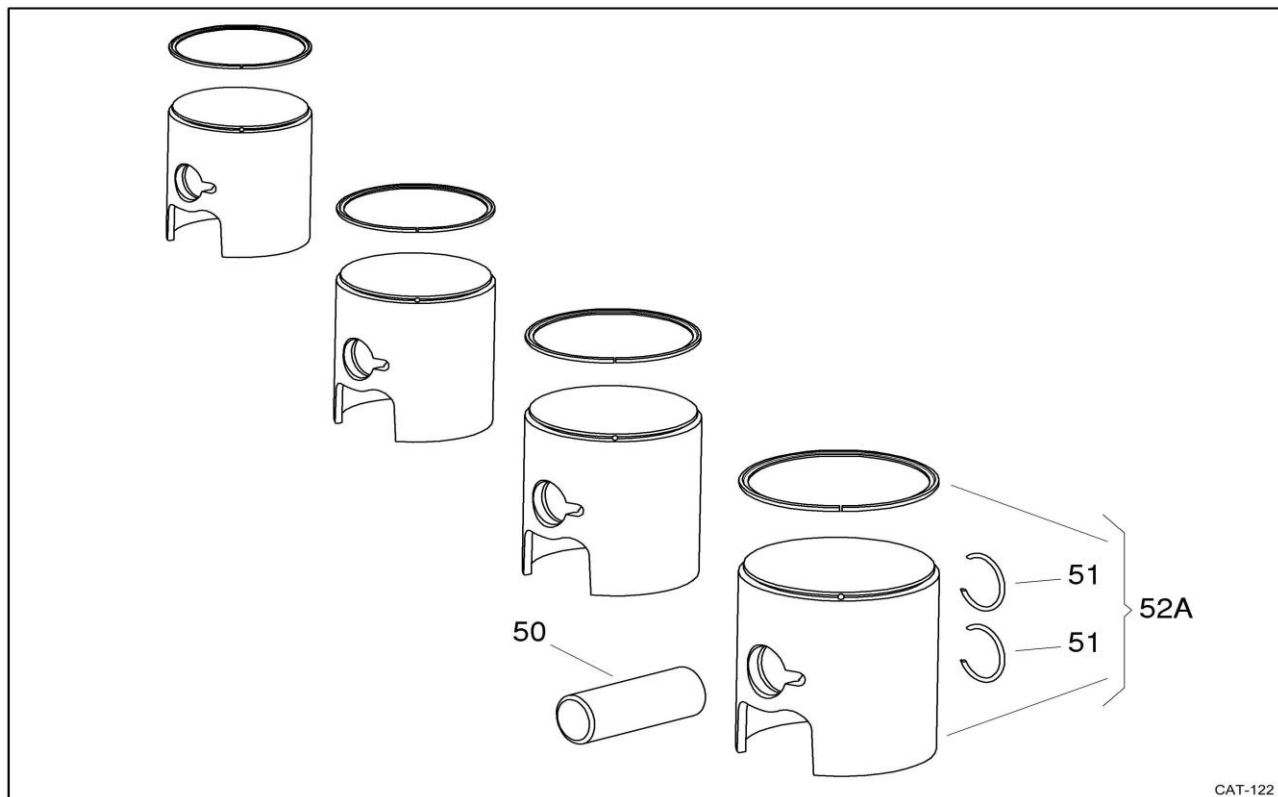


2017 CATALOG



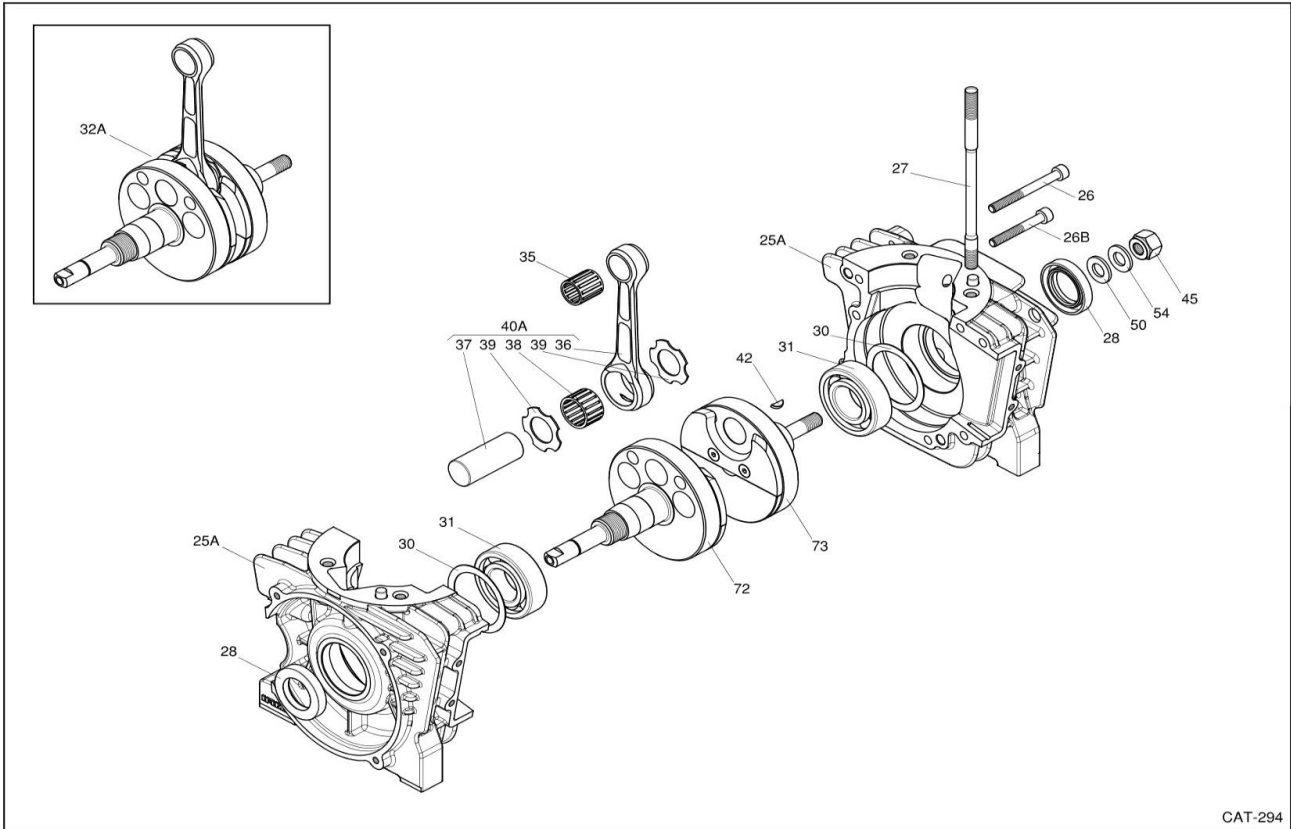
RJA-001

POS	COD	DESCR	
001	IAA-40100US	CYLINDER HEAD REEDJET USA	
002	10350	HEAD NUT	
003	10635	HEAD NUT WASHER H=3mm	
004	10351	BLACK HEAD NUT	
005	10785	FLEXIBLE SPRING	
008	D-37049	HEAD GASKET OR 3237	
010	IAA-40200-0.05	COPPER HEAD GASKET 0.05	
010	IAA-40200-0.10	COPPER HEAD GASKET 0.10	
010	IAA-40200-0.15	COPPER HEAD GASKET 0.15	
011	EBP-125045	CYL. GASKET .4MM SUD-TOP/X30	
011	EBP-125046	CYL. GASKET .2MM SUD-TOP/X30	
011	EBP-125047	CYL. GASKET .1MM SUD-TOP/X30	
011	EBP-125048	CYL. GASKET .05MM SUD-TOP/X30	
013A	IAA-01000US	CYLINDER REEDJET USA	



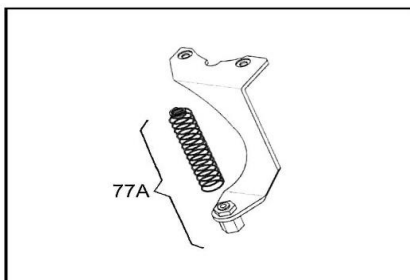
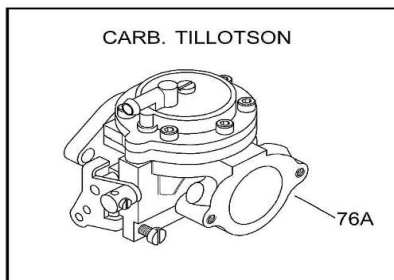
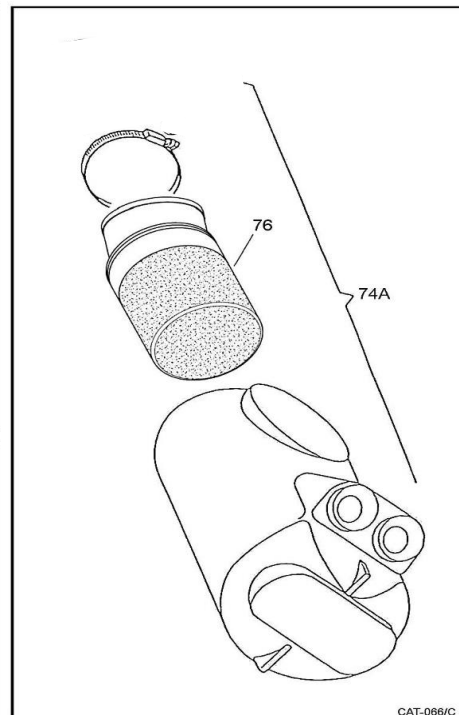
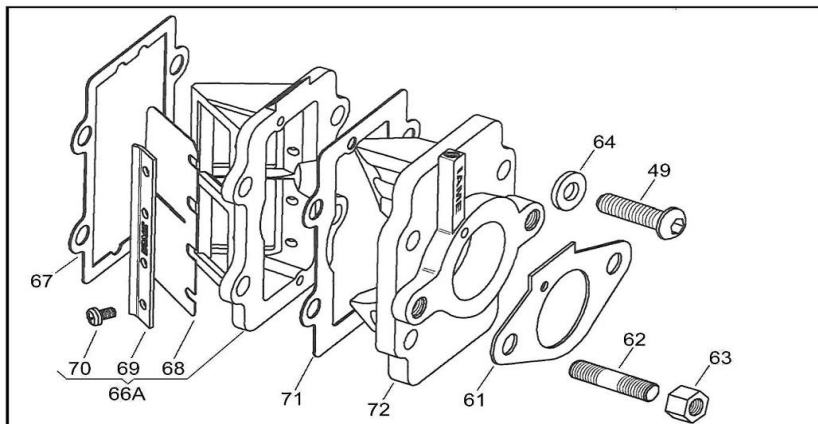
CAT-122

POS	COD	DESCR	
050	B-10321-R	PISTON PIN 14x39 1^ SEL.	
051	10341-A	CIRCLIP W/OUT TAILS	
052A	EBP-85050-CV	PISTON PUMA-85 48.20g	
052A	EBP-85055-CV	PISTON PUMA-85 48.22g	
052A	EBP-85057-CV	PISTON PUMA-85 48.24g	
052A	EBP-85060-CV	PISTON PUMA-85 48.26g	
052A	EBP-85063-CV	PISTON PUMA-85 48.28g	
052A	EBP-85065-CV	PISTON PUMA-85 48.30g	
052A	EBP-85070-CV	PISTON PUMA-85 48.32g	
052A	EBP-85072-CV	PISTON PUMA-85 48.34g	
052A	EBP-85075-CV	PISTON PUMA-85 48.36g	
052A	EBP-85080-CV	PISTON PUMA-85 48.40g	
052A	EBP-85085-CV	PISTON PUMA-85 48.42g	
052A	EBP-85087-CV	PISTON PUMA-85 48.44g	
052A	EBP-85095-CV	PISTON PUMA-85 48.50g	



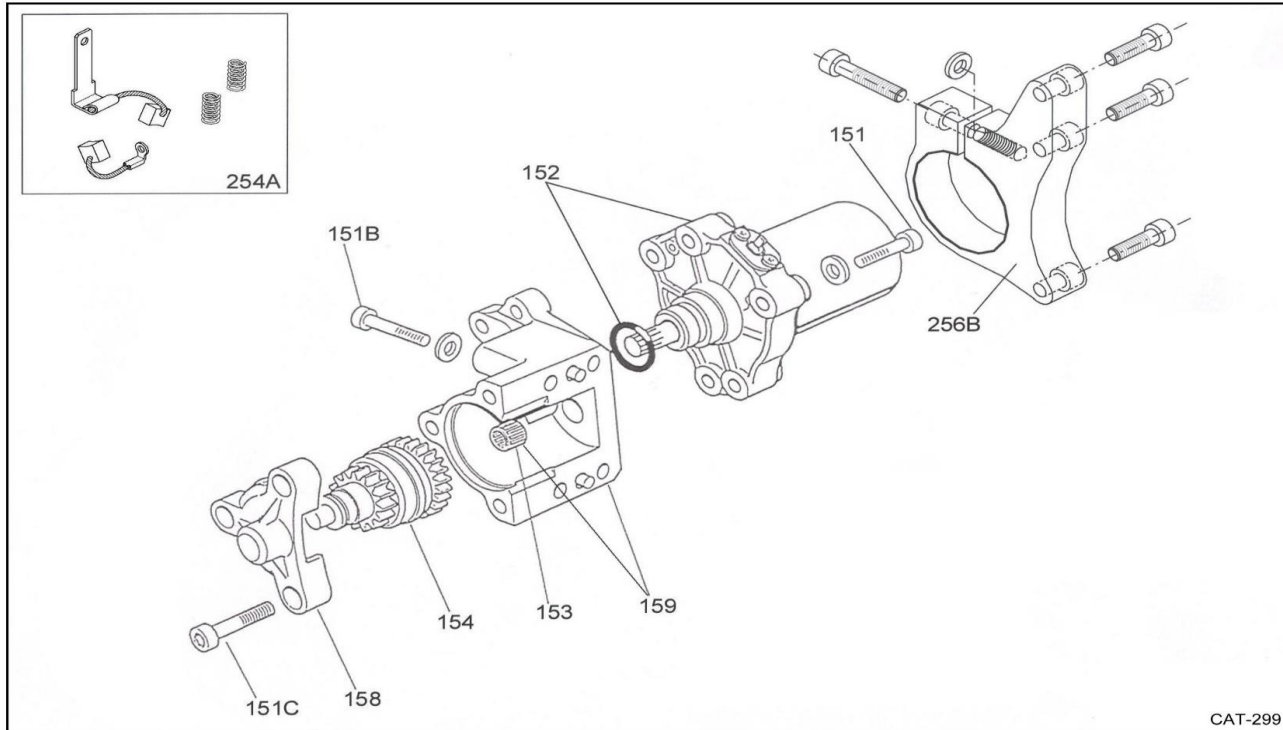
CAT-294

POS	COD	DESCR	
025A	IAB-01041US	CRANKCASE REEDJET 100cc USA	
026	00051-K	KIT OF 20 ALLEN SCREWS 6x55	
026B	00049-K	KIT OF 20 ALLEN SCREWS 6x45	
027	E-38345	CYLINDER TIE-ROD 8x157	
028	X30125425A	OIL SEAL MAGN./DRIVE SIDE	
030	30404	STEEL SHIM 0.15	
030	30407	STEEL SHIM 0.10	
031	35396-F	BALL-BEARING SKF 6205 TN9/C4	
032A	IAC-00100	CRANKSHAFT REEDJET AUS	
035	E-10440	SMALL END ROLLER CAGE	
036	IFC-50100	X30 CONROD 102mm	
037	IAC-40140	CRANKPIN DRAGON 20x47mm	
038	X30125431	BIG END CAGE	
039	X30125436	SILVER BRONZE WASHER	
040A	IFC-50100-47	CONROD 102-pin47SUD-09/R-AUS	
042	10375	MAGNETO/SPROCKET SHAFT END KEY	
045	00382	NUT M10x1	
050	00305-K	KIT OF 20 WASHERS M10	
054	00342-K	KIT 20 WASHERS 10,5x18x0,8	
072	GBP-125386	HALFCRANK.TRANSM.S.SUDAM TaG	
073	IAC-30141	HALFCR. IG.S. DRAG/LEOP MY '09	



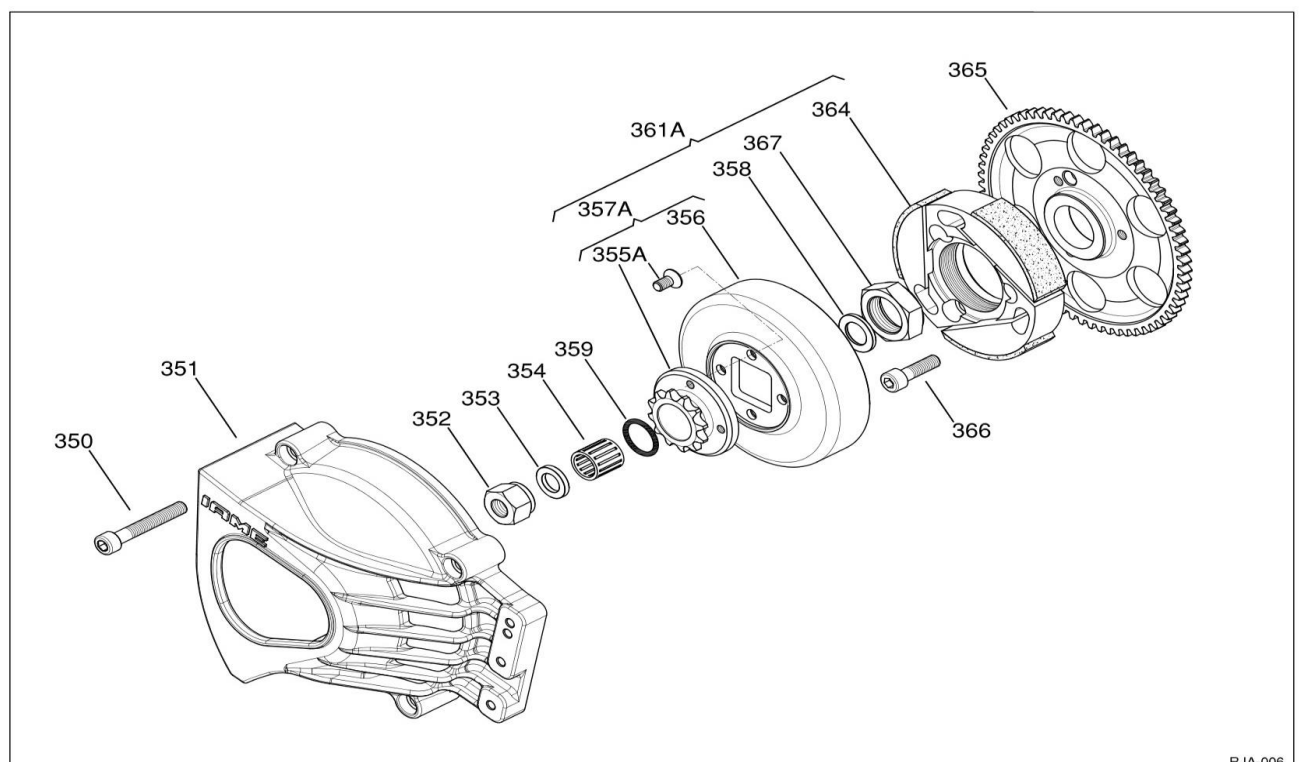
CAT-066/C

POS	COD	DESCR	
049	00045-K	KIT 20 SOCKET H. SCREWS M6X25	
061	10360-B	CARBURETOR GASKET	
062	10525	FIX.CARB.STUDBOLT 6x25	
063	00351-K	20 HEXAGONAL NUTS KIT M6	
064	00302-K	KIT 20 WASHERS M6	
066A	X3011830R-C	REED GROUP TOP	
067	X30125810	REED BLOCK GASKET X30	
068	X3011840	FIBERGLASS REED PETALS	
069	F-11845A	REED CLIPS	
070	10380-K	KIT 20 SCREWS 1/2 CR.HEAD 3X5	
071	X30125809	TOP CONVEYOR GASKET	
072	X30125815A	CONVEYOR 28mm X30	
074A	IAG-90000	INLET SILENCER SOCOREM BLUE	
076	10751-A	RUBBER HOSE WITH FOAM FILTER	
076A	HW33A	CARBURETTOR TILL. HW33A	
077A	B-35520-C	CARBURETOR BRACKET	



CAT-299

POS	COD	DESCR	
151	00047-K	KIT OF 20 ALLEN SCREWS 6x35	
151B	00049-K	KIT OF 20 ALLEN SCREWS 6x45	
151C	00045-K	KIT 20 SOCKET H. SCREWS M6X25	
152	A-120850	STARTER TaG	
153	A-60865	ROLLER CAGE TaG	
154	A-120856	BENDIX	
158	A-60870	BENDIX SUPPORT	
159	A-120860-C	COUNTERSH.SUPPORT TaG W/ROLLER	
254A	A-60852A-C	STARTER BRUSHES KIT	
256B	A-125863-C	STARTER SUPPL. SUPPORT	

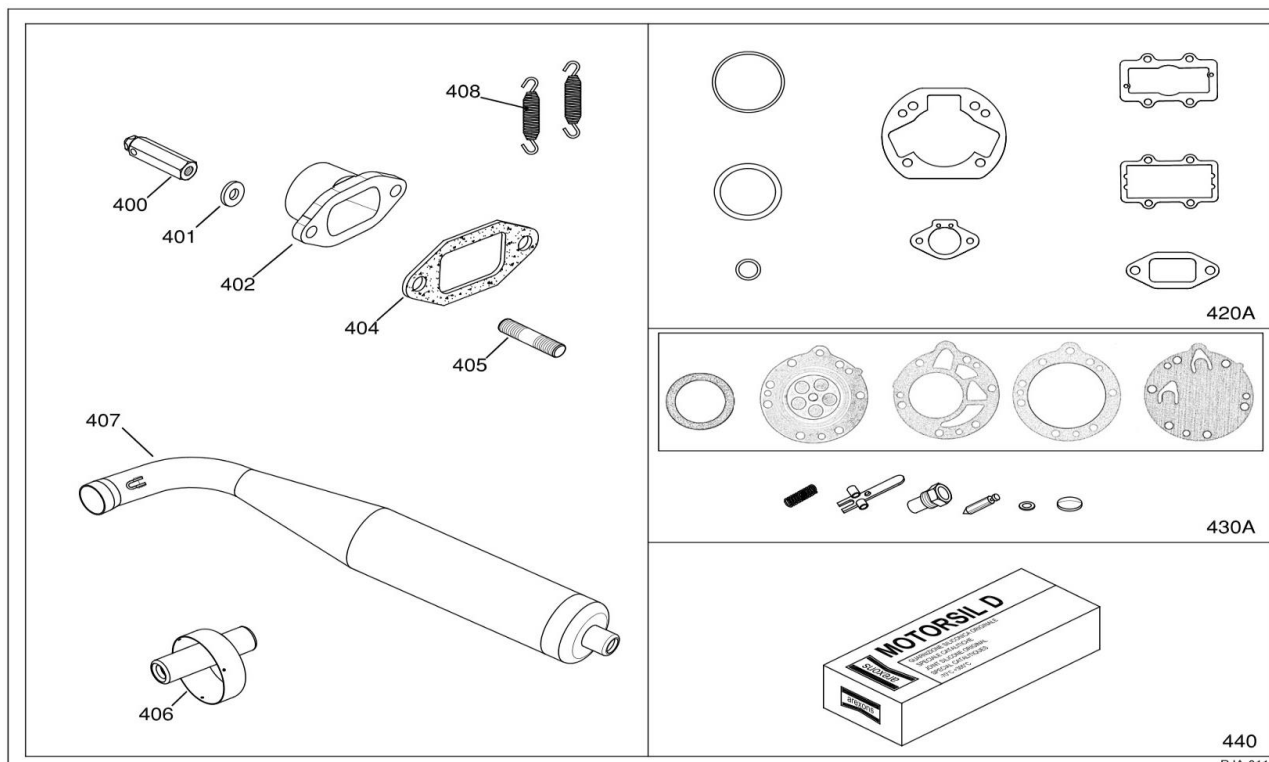


FJA-006

POS	COD	DESCR	
350	00046-K	KIT 20 SCREWS M6x30	
351	A-60595B	CLUTCH GUARD TaG	
352	D-75570	STARTER NUT TaG	
353	D-75565	THRUST INT.WASHER H=1,8mm	
354	B-55598	CLUTCH ROLLER CAGE JUN-CIK	
355A	X30125554-C	SPROCKET Z10 W/SCREWS	
355A	X30125555-C	SPROCKET Z11 W/SCREWS	
355A	X30125556-C	SPROCKET Z12 W/SCREWS	
355A	X30125557-C	SPROCKET Z13 W/SCREWS	
357A	X30125550A-C11	CLUTCH DRUM BLIND + SPR Z11	
358	D-75573	EXTERNAL WASHER	
359	A-60565	CLUTCH DRUM OR	
361A	X30125841-C10	CLUTCH GROUP Z10 X30	
361A	X30125841-C11	CLUTCH GROUP Z11 X30	
361A	X30125841-C12	CLUTCH GROUP Z12 X30	
364	X30125841	PADDED HUB X30 '13	
365	IAI-30000	START.WHEEL REEDJ-AU/LEOP MY09	
366	00042T-K	KIT 20 SCREWS M6X16 TECNIC 150	
367	IFF-21300	WHEEL LOCKING NUT	

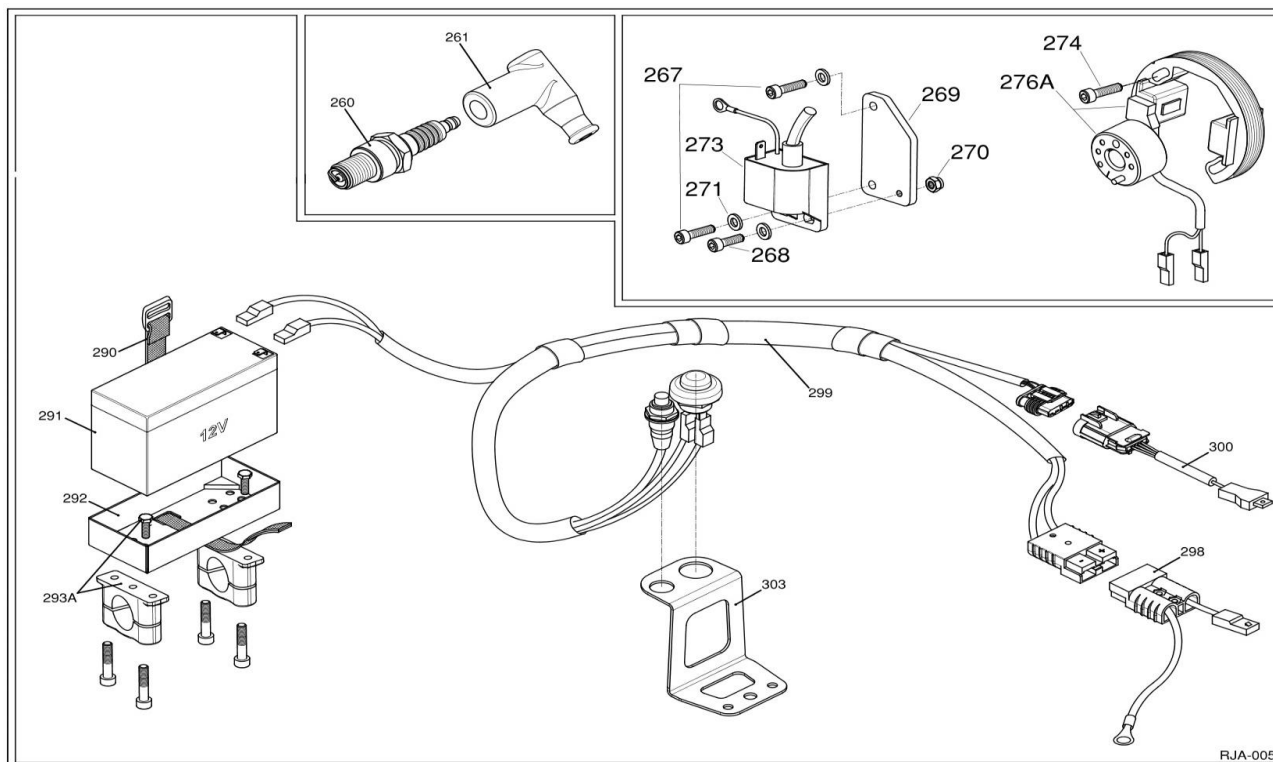
# EXHAUST GROUP & GASKETS SET

KA100



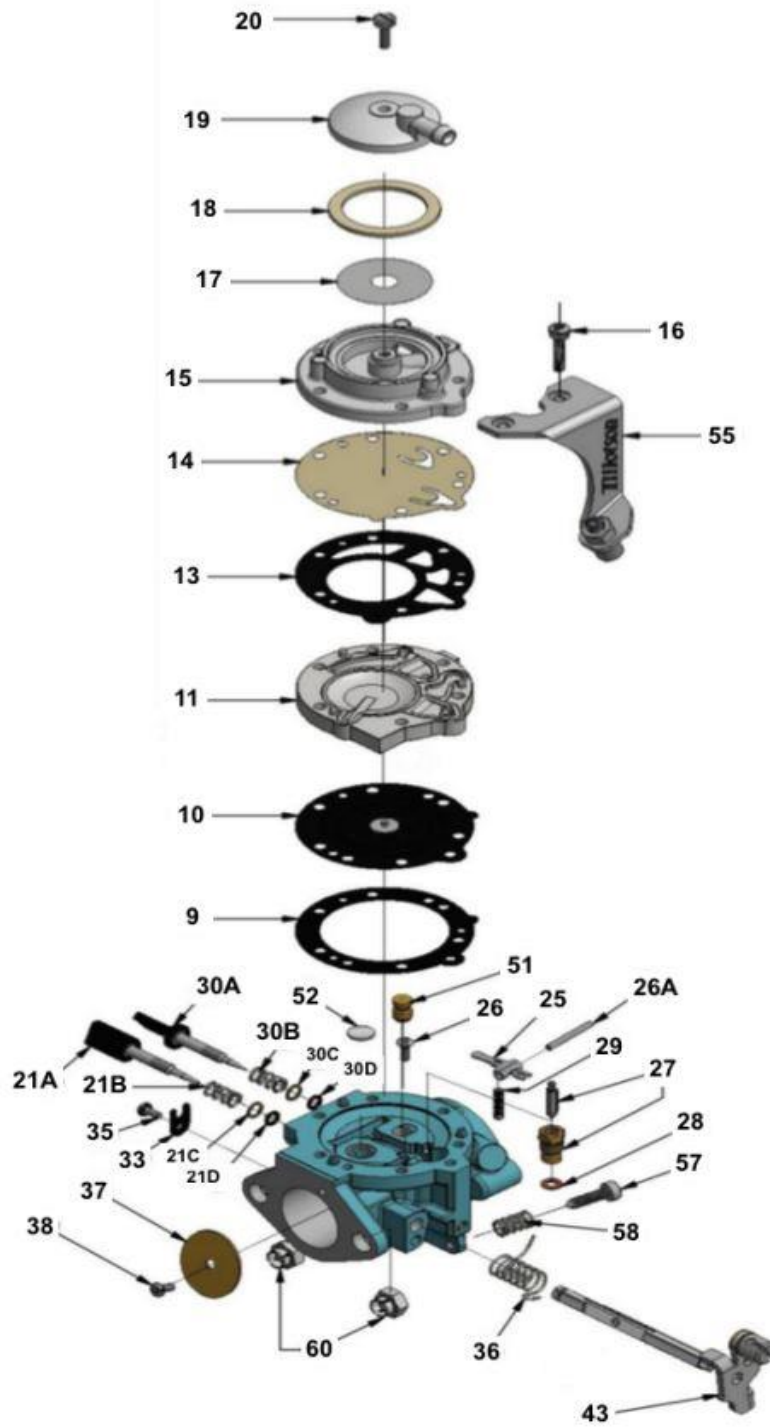
POS	COD	DESCR	
400	IAA-20300	PIERCED EXHAUST NUT	
401	00303-K	KIT OF 20 WASHERS M8	
402	IAH-02000	EXHAUST MAN. REEDJET AUS	
402	IAH-02010	EXHAUST MAN. REEDJ-AUS-J d.19	
404	B-75360	EXHAUST GASKET	
405	B-75355	EXHAUST STUDBOLT 8x36	
406	IAH-04301	EXHAUST END	
407	IAH-04000	EXHAUST MUFFLER REEDJET AUS	
408	IFH-55100	FLEXIBLE SPRING KF1-2 / KZ	
420A	IAZ-125992	GASKET SET - REEDJET AUS	
430A	DGZHW	GASKETS KIT CARB. HL398A	
430A	RK11HW	REPAIR KIT CARB. HL398A	
440	00602	GASKET AREXON	



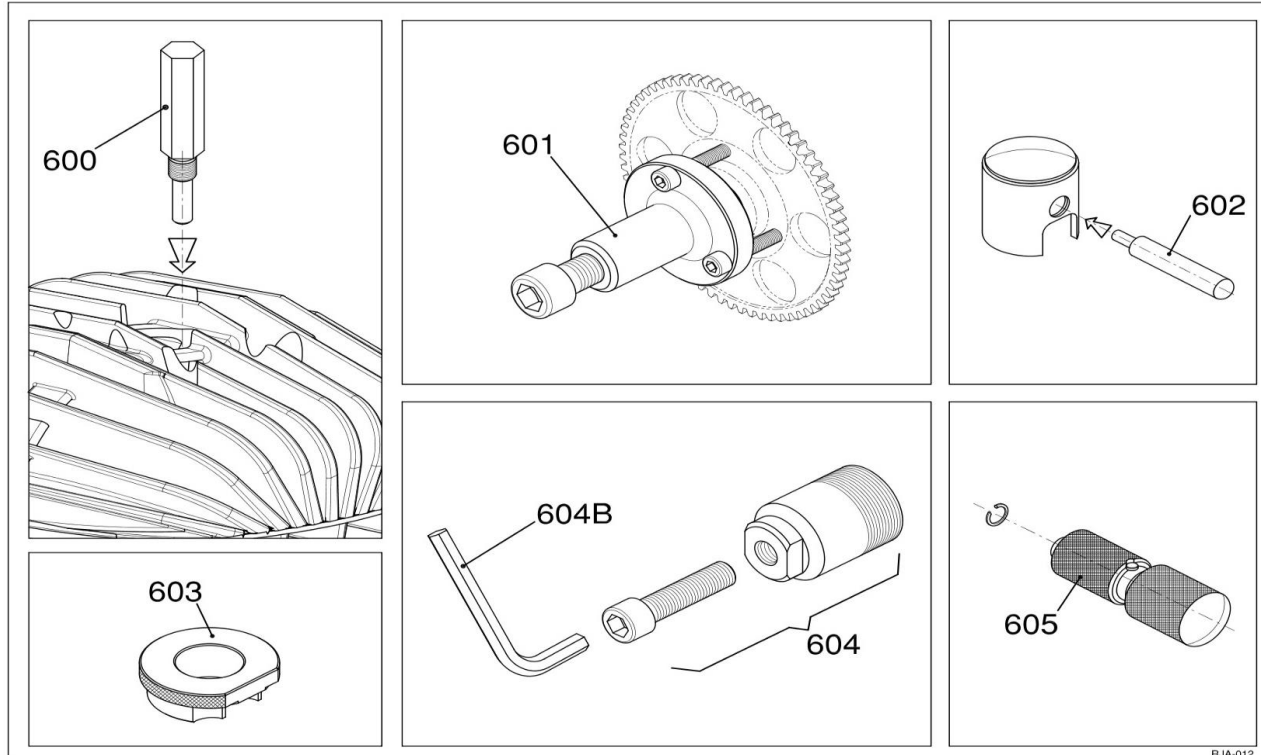


POS	COD	DESCR	
260	10561-A	SPARK PLUG NGK BR10EG	
260	10561NGK6252	NGK 6252K-105 RESISTOR SPARK PLUG	
260	10561NGK6254E-105	NGK 6254E-105 NON-RESISTOR SPARK PLUG	
261	10544	PVL SPARK BLACK CAP X30	
267	00032-K	KIT OF 20 SCREWS TCCE 5x20	
268	00031-K	KIT OF 20 ALLEN SCREWS M5x16	
269	A-61510	COIL SUPPORT	
270	00378-K	20 SELF LOCKING NUTS KIT M6	
271	00301-K	KIT 20 WASHERS M5	
272	A-61520	COIL VIBRATION DAMPING	
273	A-61955	COIL SELET. MINI 60cc BLACK	
274	00034-K	KIT OF 20 ALLEN SCREWS 5x25	
276A	A-61951A	IGNITION 2 POLES '14	
290	A-60904A	BATTERY FIXING BELT	
291	X30125900	SPARE PART F.	
292	X30125905	BATTERY SUPPORT	
293A	A-60907A-C	SUPP.BATT.CLAMP 30mm W/SCREWS	
298	IFE-05401B	ELECTRIC STARTER CABLE	
299	IFE-05003A	CABLES HARNESS DIG. S	
300	IAE-06100	ADAPTER IGNITION 2 POLES	
303	IFI-70000	BUTTONS BRACKET KF/X30	

# HW-33A Spare Parts Prices

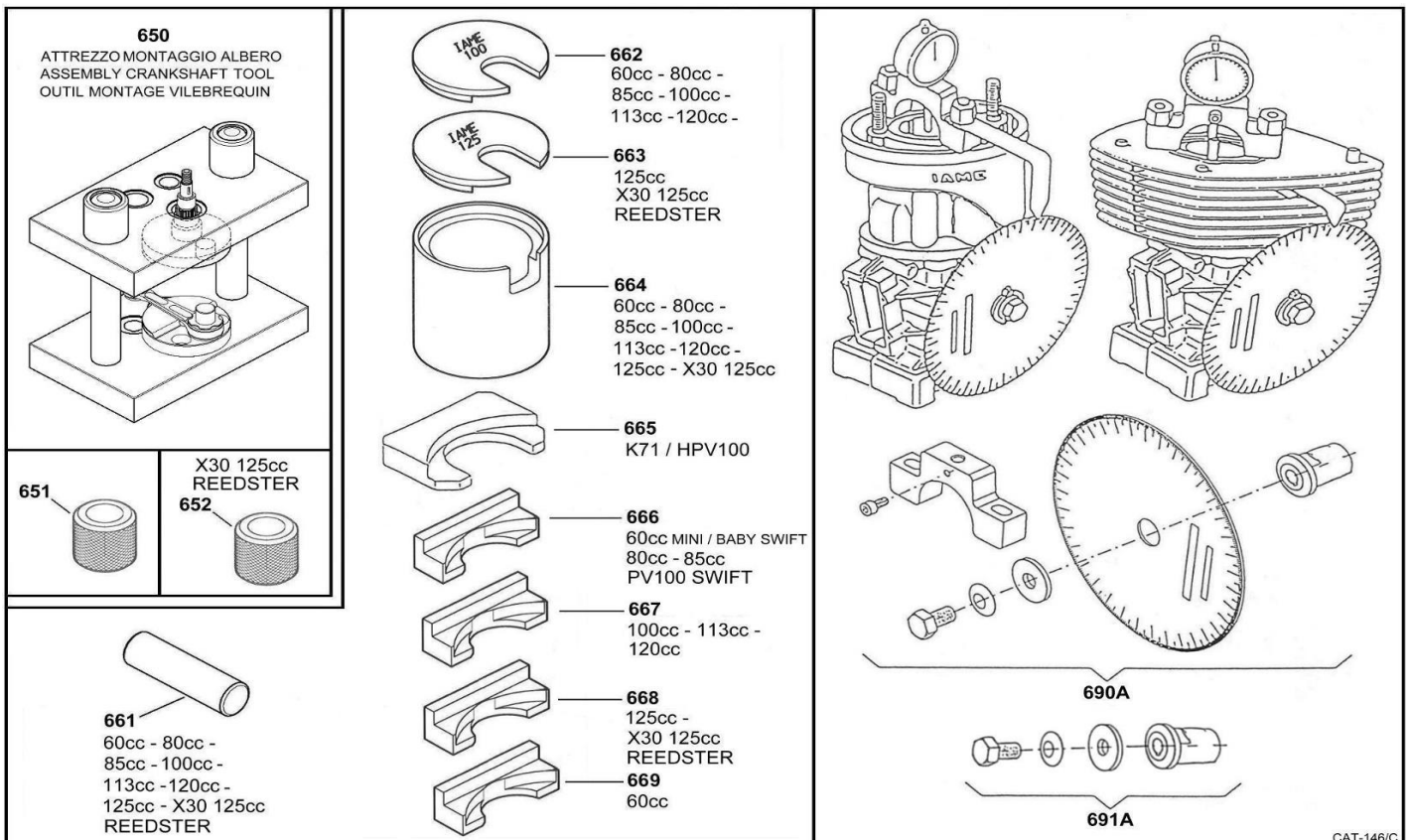


ITEM	PART NO:	DESCRIPTION	
9	+ * 16-B406	DIAPHRAGM GASKET	
10	+ * 237-600	DIAPHRAGM	
11	91A-275	DIAPHRAGM COVER	
13	+ * 16-B407	FUEL PUMP GASKET	
14	+ * 237-223	FUEL PUMP DIAPHRAGM	
15	141-89	FUEL PUMP BODY	
16	15C-51	FUEL PUMP BODY SCREW	
17	95 - 170	FUEL STRAINER SCREEN	
18	+ * 16-B205	FUEL STRAINER COVER GASKET	
19	91-A251	FUEL STRAINER COVER	
20	15-B313	FUEL STRAINER COVER RETAINING SCREW	
21A	43-1029	IDLE MIXTURE SCREW	
21B	24-B449	IDLE MIXTURE SCREW SPRING	
21C	78A-256	IDLE MIXTURE SCREW WASHER	
21D	44-361	IDLE MIXTURE SCREW PACKING	
25	* 155A-27	INLET CONTROL LEVER	
26	15-B329	FULCRUM LEVER SCREW	
26A	32-79	FULCRUM LEVER PIN	
27	* 233-721P	INLET NEEDLE & SEAT SET	
28	16-B199	INLET SEAT GASKET	
29	24-B299	INLET TENSION SPRING	
30A	43-1030	HIGH SPEED MIXTURE SCREW	
30B	24B-449	HIGH SPEED MIXTURE SCREW SPRING	
30C	78A256	HIGH SPEED MIXTURE SCREW WASHER	
30D	44-361	HIGH SPEED MIXTURE SCREW PACKING	
33	29-224	THROTTLE SHAFT CLIP	
35	15-C19	THROTTLE SHAFT CLIP RETAINING SCREW	
36	24-B381	THROTTLE RETURN SPRING	
37	14-A118	THROTTLE SHUTTER	
38	15-C20	THROTTLE SHUTTER SCREW	
42	13-B216	THROTTLE SHAFT	
43	12-1220	THROTTLE LEVER ASSEMBLY	
44	15-C52	THROTTLE LEVER RETAINING SCREW	
52	363-318	IDLE NOZZLE	
54	80-160	MAIN PLUG	
55	136-562	CABLE BRAKET	
56	15-C67	CABLE BRACKET RETAINING SCREW	
57	15-C9	LIMITER SCREW	
58	24-B131	LIMITER SPRING	
60	81-377	CARBURETTOR MOUNTING NUT	
62	24-C-334	CABLE RETURN SPRING	
	HW-27A	Carburettor	
	RK-11HW	REPAIR KIT	
	DG-2HW	DIAPHRAGM & GASKET (STANDARD)	
	233-721P	INLET NEEDLE & SEAT SET	
		* + INDICATES CONTENTS OF DIAPHRAGM & GASKET SET	
		* INDICATES CONTENTS OF REPAIR KIT	
		* + INDICATES CONTENTS OF DIAPHRAGM & GASKET SET	



RJA-012

POS	COD	DESCR	
600	10271	PISTON STROKE LOCKER	
601	ATT-039-C	STARTER GEAR PULLER X30 SHIFT.	
602	10200	PISTON PIN PUNCH 14mm	
603	ATT-037	S. WHEEL LOCKING TOOL KF/LE/DR	
604	ATT-026	CLUTCH HUB PULLER d.38	
604B	10159	CLUTCH PULLER WRENCH 12mm	
605	10120	CIRCLIP ASSEMBLING TOOL 14mm	



CAT-146/C

POS	COD	DESCR
650	10110A	CRANKSHAFT ASSY TOOL
652	10150A	CRANK-PIN BUSH 20mm
661	10107	CRANK-PIN PUSHER
663	10104A	CRANKSHAFT PLATE 125cc
664	10100	CRANKSH. DISASSY SUPPORT
668	10106	CRANKSHAFT INSERT 125cc-SUP
690A	10820A	TIMING CHECK DISC TaG/REEDSTER
691A	10828-C	TIMING CHECK DISC ADAPTER M10