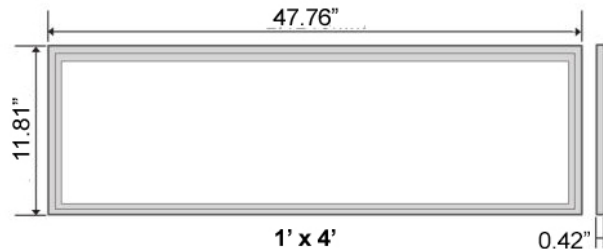
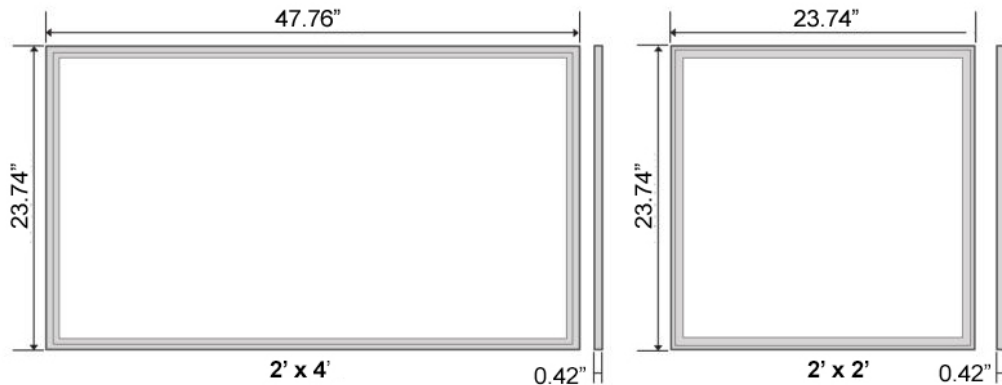


**Note:** Please read this instruction manual to fully understand and safely install this product. Contractor Source LED fixtures are to be wired and installed in accordance with the national electrical code and all applicable local codes. **This product must be installed by a qualified personal familiar with the construction and operation of this product.**

## WARNINGS

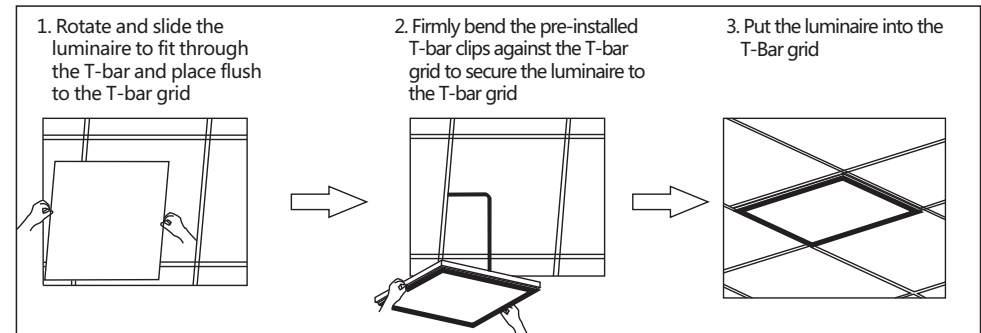
- Risk of Electrical Shock! Persons installing this product should have knowledge of electrical systems.
- DO NOT attempt to install this product. Contact a licensed electrician for installation.
- Do not install in loose, unstable or easily breakable surfaces
- Do not install in hard lid applications suitable for T-grid installations access above ceiling is required
- Do not cover with building insulation, Make sure insulation is located 2" away from luminaire
- Do not install in damp and wet locations



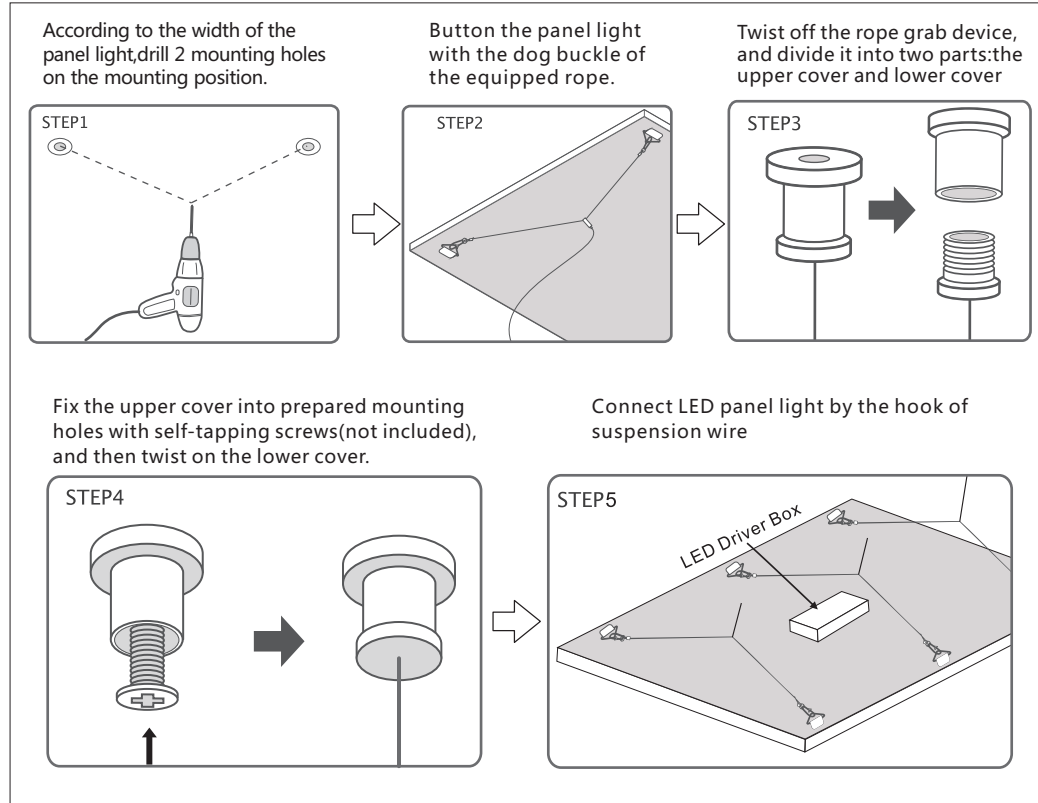
## INSTALLATION INSTRUCTIONS

1. Turn Off power to the luminaire at the circuit breaker before old luminaire
2. Remove old luminaires
3. Firmly bend the pre-installed grid clips against the T-bar and secure the luminaires to the grid
4. Install support cables(not included) to the luminaire through the grid clip holes. Support cables needs to support minimum 100lbs.
5. Rewire and Install luminaire to the below diagrams
6. Turn on power to the luminaire at the circuit breaker and check for proper installation

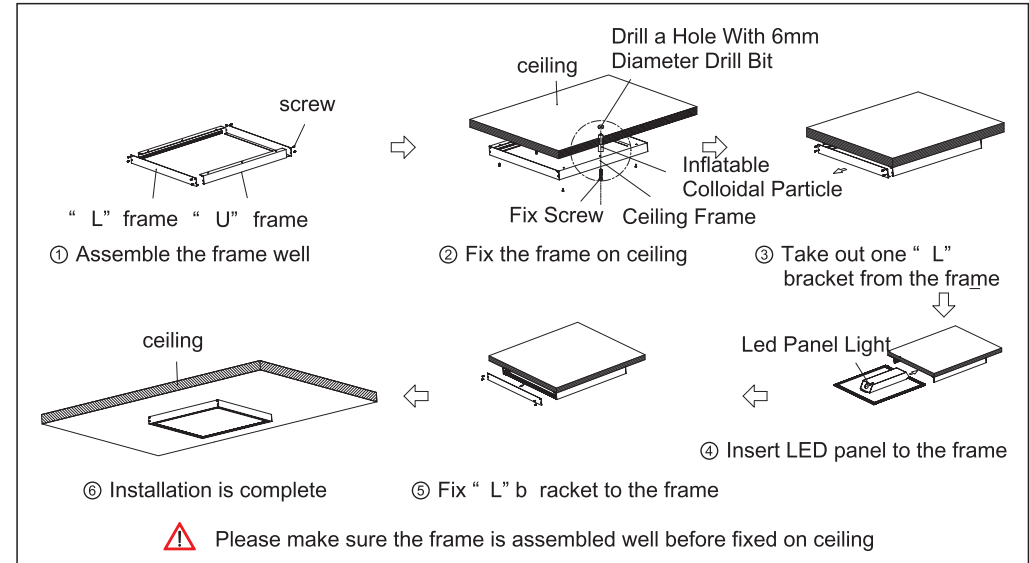
## RECESSED



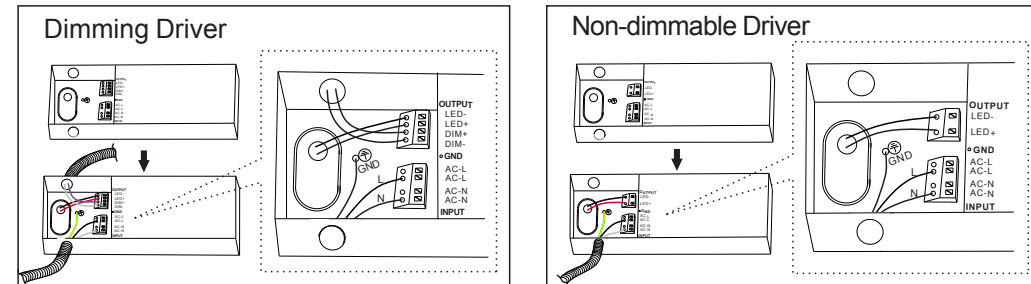
## SUSPENDED (Optional, hooks and cables are not included)



## SURFACE MOUNT (Optional, frame is not included)



## WIRING DIAGRAM



## GENERAL TROUBLESHOOTING

If the panel light is installed properly, please figure out whether the failure is caused by following situations. If all following resolutions do not work, please stop using immediately and contact professionals or retailers for help.

- If the panel light does not work, please cut off the power and then check whether the power cord of panel light is properly connected with mains supply.
- If connected properly, please ask a professional to check the input voltage or circuit.

## ROUTINE MAINTENANCE

- To ensure better lighting, please clean the panel light at regular intervals.
- Please make sure the power is off before your maintenance work.
- To avoid any damage to the panel light, please do not use chemical solvent during routine maintenance.