

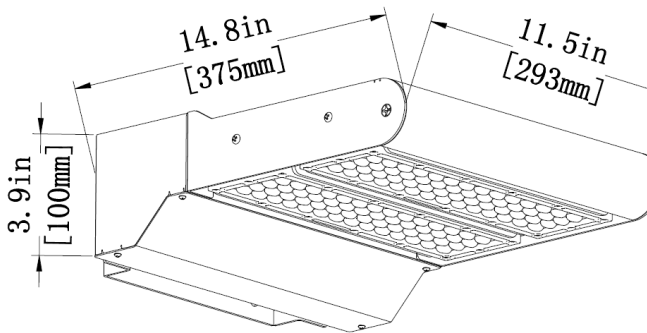
## PRODUCT DESCRIPTION:

Industrial and commercial applications. For road and area lighting like: parking decks, auto dealerships, high masts, apartments, residential complexes, shopping malls, sporting complexes and fields, educational facilities, streets, roadways, parks, recreational bike paths, and municipal lots.

## FEATURES:

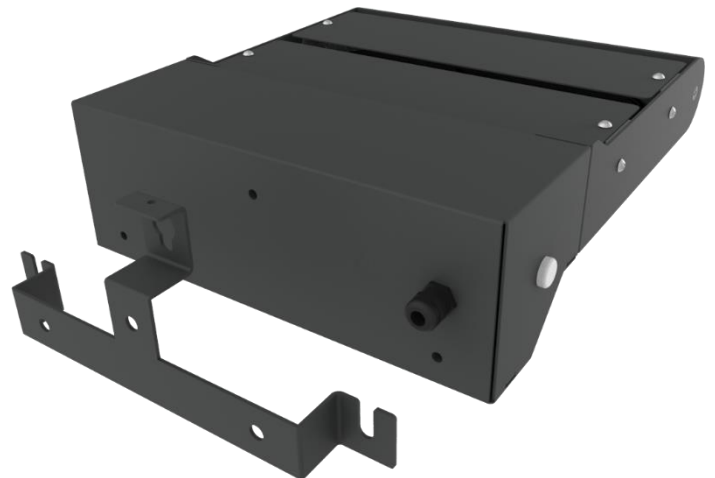
- Philips Lumileds 3030
- Heavy duty die-cast aluminum housing with quick mount back plate for easy installation
- Fully sealed with an IP rating of 65
- High quality tempered glass optics
- Polyester powder-coated finish, rust and corrosion proof; stabilized to extreme climate changes without cracking or peeling

## DIMENSIONS:



## 120W Modular Series Wall Pack

LOD-MSL-WP120W-50K



### SPECIFICATIONS:

SPECIFICATION	Details
Model	LOD-MSL-WP120W-50K
Input Wattage (W)	120W
Lumens Delivered (LM)	15,000LM
Efficacy (LM/W)	125LM/W
CRI	70
Lifespan	50,000 hours
Color Temperature	5,000K
Wattage Equivalent	250W
Dimmable	
IP Rating	IP65
Beam Angle	70° x 135°
Input Voltage	AC120-277V
Power Factor	0.9
Housing	Aluminum
Lens	Frosted
THD	20%
Mounting	Wall Mount
Weight (LBS)	11.02lbs
Size	14.8" x 11.5" x 3.9"
Certification	DLC, ETL
Operating Temperature	-30°C to 45°C (-22°F to 113°F)
Environment	Outdoor
Warranty	5 years limited

