

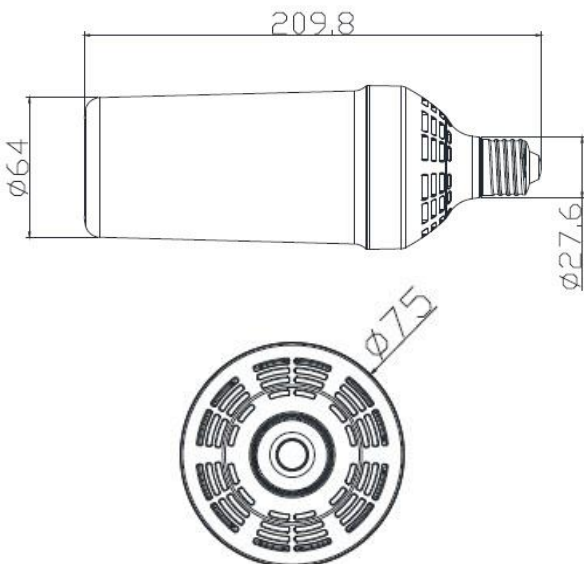
PRODUCT DESCRIPTION:

The corn light is mostly used for industrial and commercial applications such as road and area lighting, parking decks, auto dealerships, high masts, housing complexes, shopping malls, sporting complexes and fields, parks and recreational areas and municipal lots.

FEATURES:

- High efficiency LED light source, 360-degree omni-directional illumination
- High light transmittance
- Optical and anti-impact PC cover
- Lightweight and solid resistant material
- High PF driver, flicker-free

DIMENSIONS:



20W Corn Light Spec

LOD-MCL-20W50KHL

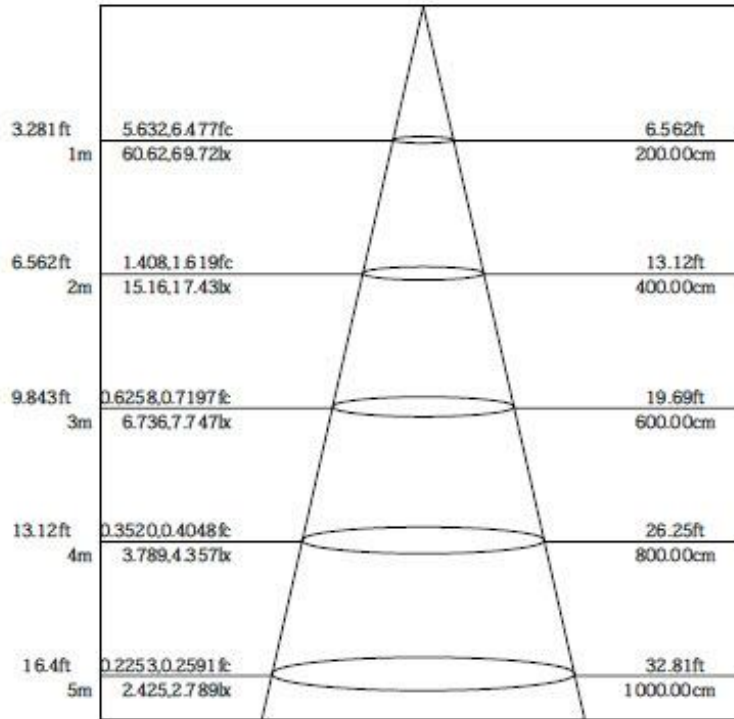


SPECIFICATIONS:

SPECIFICATION	Details
Model	LOD-MCL-20W50KHL
Input Wattage (W)	20W
Lumens Delivered (LM)	2,000LM
Efficacy (LM/W)	100LM/W
CRI	80
Lifespan	50,000 hours
Color Temperature	5,000K
Wattage Equivalent	100W HID
Dimmable	No
IP Rating	IP64
Beam Angle	360
Input Voltage	AC120-277V
Power Factor	0.9
Housing	Aluminum
Lens	Clear
Mounting	E26
THD	15%
Weight (LBS)	0.36 lbs
Size	8.25" x 2.51" x 2.92"
Certification	UL
Operating Temperature	-20°C to 50°C (-4°F to 122°F)
Environment	Inside
Warranty	5 years limited



AVERAGE ILLUMINATION DIAGRAM:



LIGHT DISTRIBUTION CURVE:

