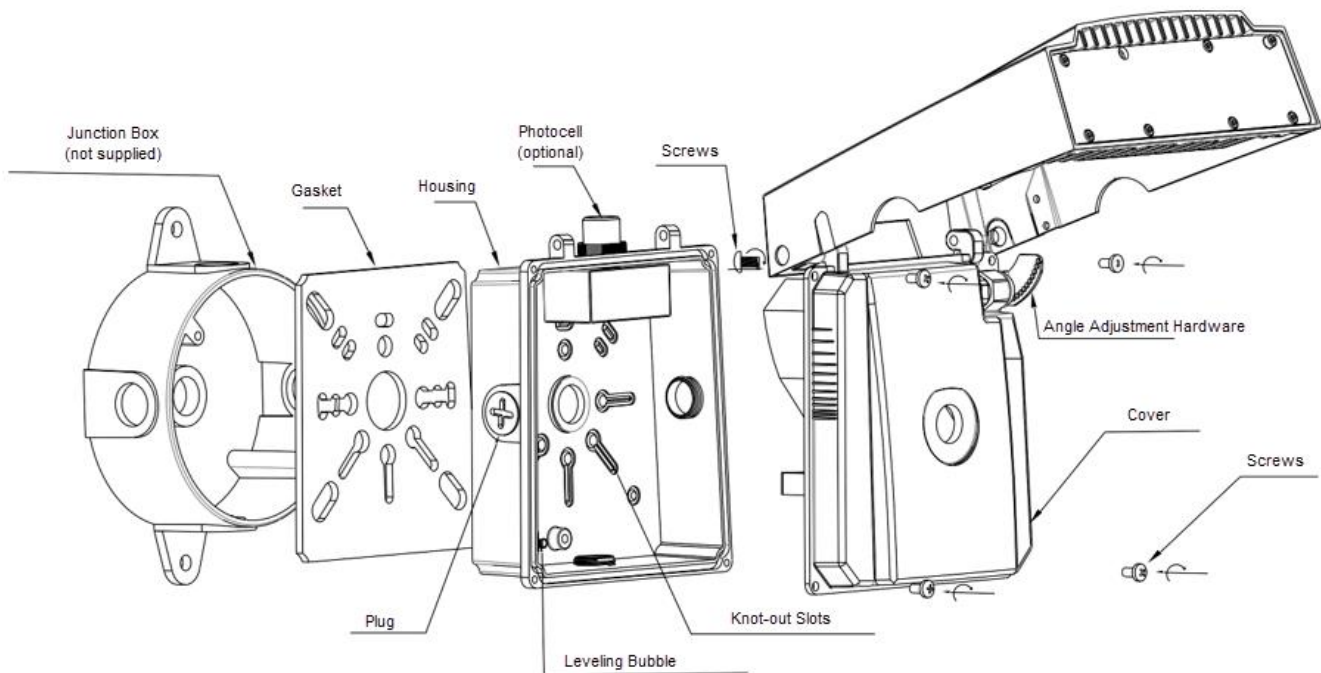


LEDone[®]

LOD-AWP Series Installation Guide



SAFETY INSTRUCTIONS: Read instructions carefully before attempting to install fixture.

- All wiring should be performed by a qualified electrician.
- Disconnect power before installing or servicing. This fixture must be wired in accordance with the National Electrical Code and applicable local codes and ordinances.
- Proper grounding is required to ensure personal safety.
- This fixture is for outdoor use and should not be used in areas with limited ventilation or high ambient temperatures.

CAUTION: Risk of fire

- **WARNING:** Make certain power is OFF before installing or maintaining fixture. No user serviceable parts inside.

CLEANING & MAINTENANCE:

CAUTION: Be sure the fixture temperature is cool enough to touch. Do NOT clean or maintain while the fixture is energized.

1. Clean glass lens with non-abrasive glass cleaning solution.
2. Do NOT open fixture to clean the LED. Do NOT touch the LED.

Note: These instructions do not cover all details or variation in equipment, nor do they provide for every possible situation during installation, operation or maintenance.

TROUBLESHOOTING:

1. Check that the line voltage at fixture is correct. Refer to wiring directions.
2. Check that the fixture is grounded properly.

MOUNTING:

To ensure weatherproof seal, apply weatherproof silicone sealant around the edge of the housing and/or junction box. This is especially important with an uneven wall surface. Silicone all plugs and unused conduit entries.

INSTALLATION:

1. Knock out the appropriate slots. Secure housing to a sturdy wall and check that the gasket is fully sealed. (Fig. 1)
2. Caulk the entire perimeter of the luminaire to the mounting surface.
3. Hang the light body on the bolt of the housing to make convenient for single electrical wire connection (Fig. 2)
4. Use appropriate holes. Screw and tighten the back cover with the housing. (Fig. 3)
5. Adjust the fixture angle when necessary. (Fig. 4)

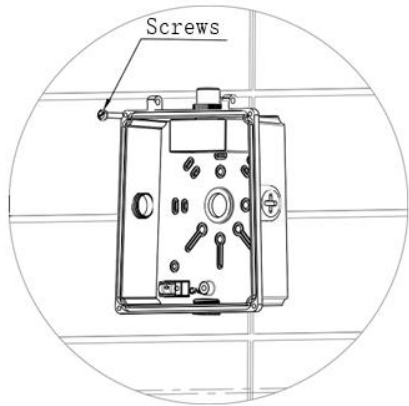


Fig. 1

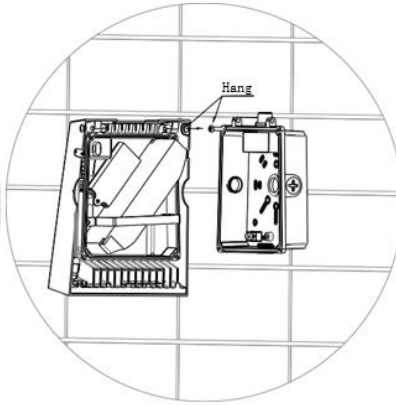


Fig. 2

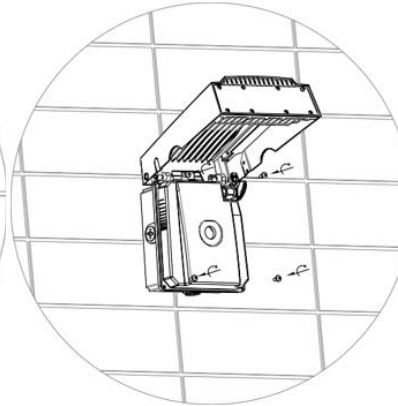


Fig. 3

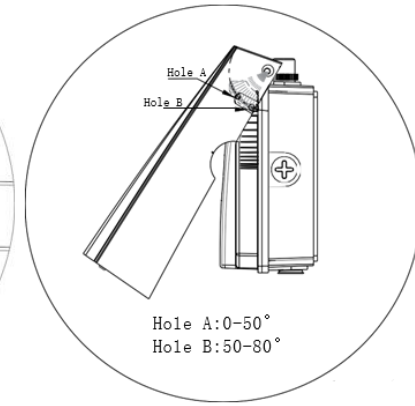
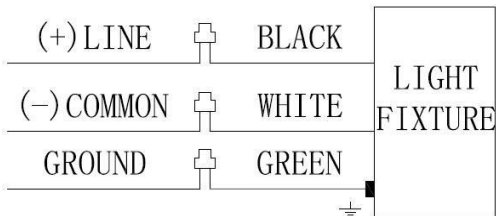


Fig. 4

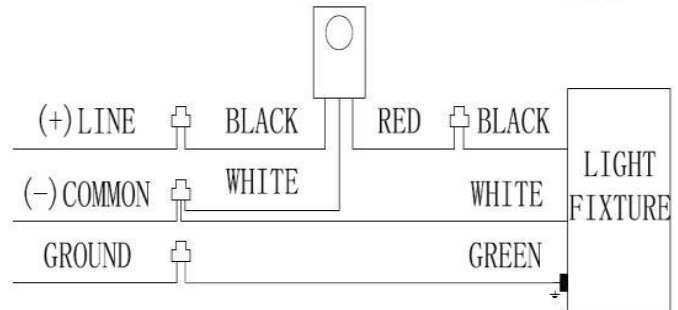
WIRING:

Universal voltage driver permits operation at 120V through 277V, 50/60Hz.

1. Connect the BLACK fixture lead to the (+) LIVE line supply lead.
2. Connect the WHITE fixture lead to the (-) COMMON supply wire.
3. Connect the GROUND wire from fixture to the supply ground.



Without photocell



With photocell