

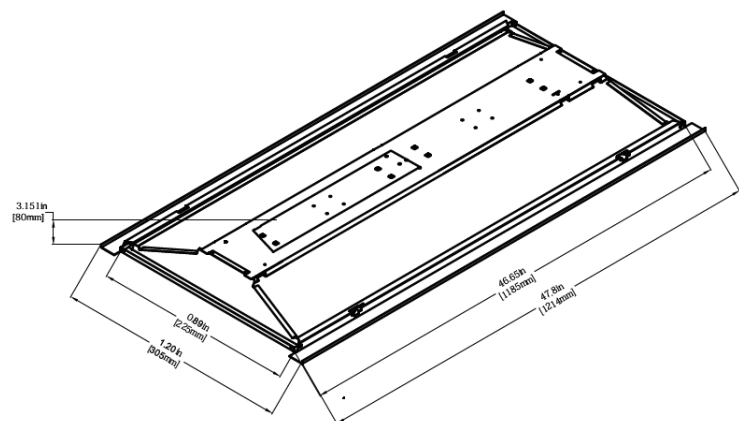
PRODUCT DESCRIPTION:

The multi wattage troffer retrofit provides maximum uniform light distribution without pixilation. The fixture is one piece and has an enclosed steel framed bracket. It is designed to upgrade fluorescent light fixtures. It is ideal for commercial and industrial uses. This luminaire was engineered as an energy efficient and eco-friendly alternative to traditional lighting solutions.

FEATURES:

- Samsung 2835 LED chips
- Multi wattage switch on back (24W, 32W & 39W)
- High quality LED chips with 50,000 hours
- No flicker
- Fully integrated reversible hinge
- Assembly allows for rapid troffer conversion
- Easy installation – no need to remove existing fixture housing

DIMENSIONS:



2X4 Multi Wattage Troffer Retrofit

LOD-24MWRT39W-40K-[Blank,EM]-[Blank,MS]



SPECIFICATIONS:

SPECIFICATION	Details		
Model	LOD-24MWRT39W-40K		
Input Wattage (W)	24W	32W	39W
Lumens Delivered (LM)	3,508LM	4,480LM	5,495LM
Efficacy (LM/W)	140.9LM/W		
CRI	80		
Lifespan	50,000 hours		
Color Temperature	4,000K		
Wattage Equivalent	150W		
Dimmable	Yes		
IP Rating	IP40		
Beam Angle	150		
Input Voltage	AC120-277V		
Power Factor	0.9		
THD	20%		
Housing	Aluminum		
Lens	Frosted		
Mounting	Existing Troffer Housing		
Weight (LBS)	12.78 lbs		
Size	47.79" x 12.0" x 3.14"		
Certification	DLC, UL		
Operating Temperature	-20°C-50°C		
Environment	Indoor		
Warranty	5 years limited		

