

LOC-SLHB Series Installation Guide

SAFETY INSTRUCTIONS: Read instructions carefully before attempting to install fixture.

- All wiring should be performed by a qualified electrician.
- Disconnect power before installing or servicing. This fixture must be wired in accordance with the National Electrical Code and applicable local codes and ordinances.
- Proper grounding is required to ensure personal safety.

CAUTION: Risk of fire

- **WARNING:** Make certain power is OFF before installing or maintaining fixture. No user serviceable parts inside.

MOUNTING:

1. **U-BRACKET MOUNTING:** Follow mounting directions as in Fig. 1
 - a. Mount the U-bracket to the canopy structure. The U-bracket is adjustable upon request for fixture angle.
 - b. Connect driver with external input wire.
 - c. Fix safety chain with fixture body and canopy structure.
2. **HOOK MOUNTING:** Follow mounting directions as in Fig. 2
 - a. Use hanging chain or hook or anything else upon necessary.
 - b. Make sure safety rope is applied for supplemental safety support for the fixture.

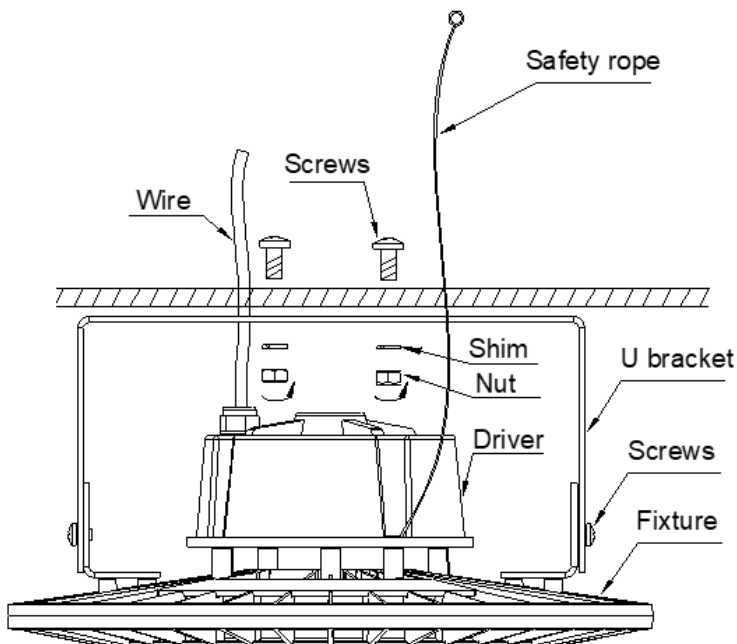


Fig.1

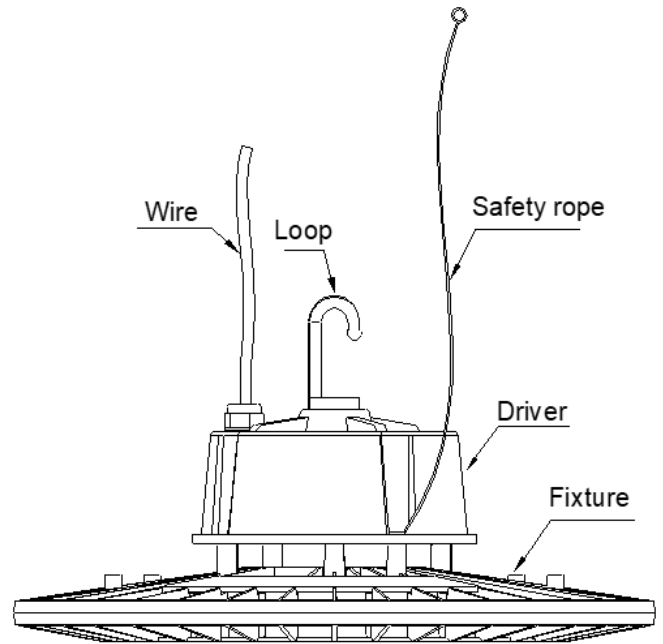


Fig.2

CLEANING & MAINTENANCE:

CAUTION: Be sure the fixture temperature is cool enough to touch. Do NOT clean or maintain while the fixture is energized.

1. Clean glass lens with non-abrasive glass cleaning solution.
2. Do NOT open fixture to clean the LED. Do NOT touch the LED.

Note: These instructions do not cover all details or variation in equipment, nor do they provide for every possible situation during installation, operation or maintenance.

LOC-SLHB Series Installation Guide

WIRING:

Universal voltage driver permits operation at 120V through 277V, 50/60Hz. Follow wiring directions as in Fig. 3.

1. Connect the BLACK fixture lead to the (+) LINE supply lead.
2. Connect the WHITE fixture lead to the (-) COMMON supply lead.
3. Connect the GROUND wire from fixture to supply ground.

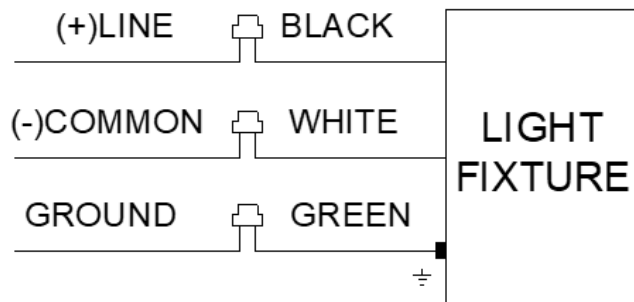


Fig.3

0-10V DIMMABLE WIRING:

Universal voltage driver permits operation at 120V through 277V, 50/60Hz. A 5-wire cord is provided. For 0-10V dimming, follow the wiring instructions in Fig 4.

1. Connect the BLACK fixture lead to the (+) LINE supply lead.
2. Connect the WHITE fixture lead to the (-) COMMON supply lead.
3. Connect the GROUND wire from fixture to supply ground. Do NOT connect the GROUND of the dimming fixture to the output.
4. Connect the PURPLE fixture lead to the (V+) DIM lead.
5. Connect the GRAY fixture lead to the (V-) DIM lead.
6. Cap the YELLOW fixture lead, if present. Do NOT connect.

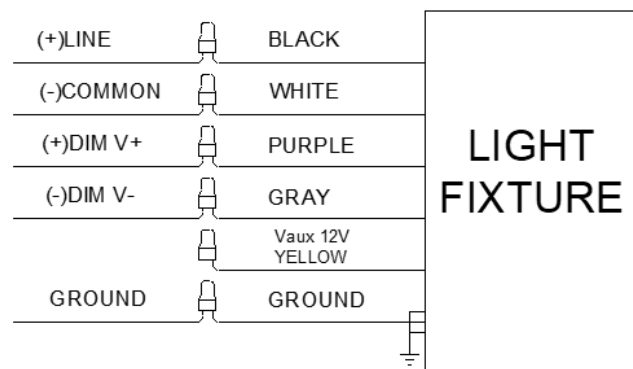


Fig.4