

LED LOC-#FTLHB Linear High Bay Light Series

Compatible with HB006



2 FOOT

110W or 160W



4 FOOT

160W, 220W or 320W

FEATURES

- IP40 rated
- DC 12V auxiliary
- Easy installation and maintenance
- 100,000 hours lifetime

SUITABLE APPLICATIONS

- Warehouses
- Stadiums
- Factories
- Supermarkets
- Logistic Centers
- Exhibition Halls

CONSTRUCTION:

Die formed galvanized steel, white paint. Isolated driver with wide voltage input option. Frosted PMMA lens. (Clear lens special order)

OPTICAL SYSTEM:

LED chips. 120° beam angle options.

WARRANTY:

5-year limited warranty. Actual performance may differ as a result of end-user environment and application.

ELECTRICAL:

Available as 120-277V input. -20°C to 40°C, -4°F to 104°F

INSTALLATION & MOUNTING:

Surface mount, hanging hook or pendant mount.

CONTROLS & DIMMING:

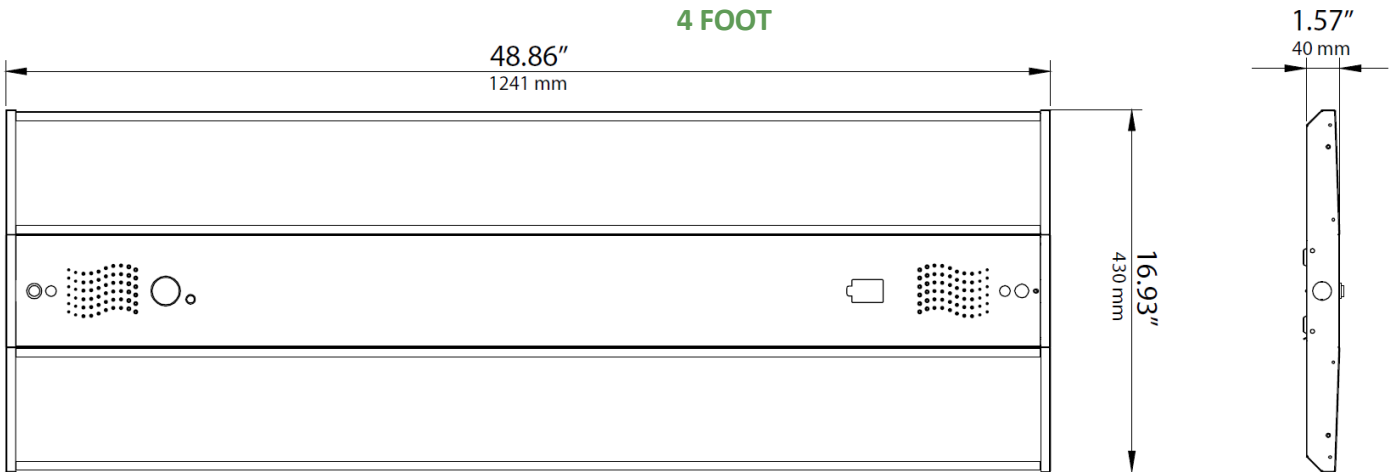
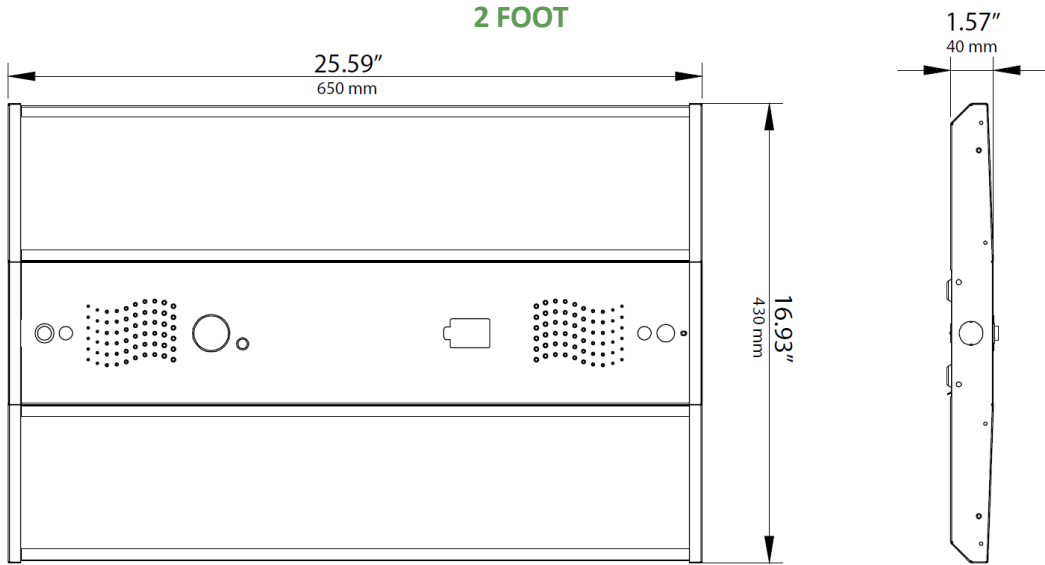
1-10V dimming comes standard. Suitable for use with LED dimmers.



MODEL NUMBER – 5,000K	SIZE	WATTAGE	LUMENS	EFFICACY	CRI	POWER FACTOR	THD	REPLACES
LOC-2FTLHB-110W50KD	2 FOOT	110W	15,290LM	139LM/W	80	0.9	20%	W HID
LOC-2FTLHB-160W50KD	2 FOOT	160W	22,080LM	138LM/W	80	0.9	20%	W HID
LOC-4FTLHB-160W50KD	4 FOOT	160W	22,240LM	139LM/W	80	0.9	20%	W HID
LOC-4FTLHB-220W50KD	4 FOOT	220W	30,580LM	139LM/W	80	0.9	20%	W HID
LOC-4FTLHB-320W50KD	4 FOOT	320W	44,160LM	138LM/W	80	0.9	20%	W HID

Series	2 Foot Wattage	4 Foot Wattage	CCT Options	Dimming
LOC-LHB	110W 160W	160W 220W 320W	5,000K	D = 0-10V dimming

MEASUREMENTS



MODEL	QUANTITY	WEIGHT	UPC CODE
LOC-2FTLHB-110W50KD	1	lbs	00810050941099
LOC-2FTLHB-160W50KD	1	lbs	00810050941105
LOC-4FTLHB-160W50KD	1	lbs	00810050941112
LOC-4FTLHB-220W50KD	1	lbs	00810050941129
LOC-4FTLHB-320W50KD	1	lbs	00810050941136

MOUNTING OPTIONS



Pendant Mount



Chain & Hook

OPTIONAL ACCESSORIES



Microwave Motion Sensor
HB006



Remote Control
LOC-GDHB-HD05R



Emergency Driver
LOC-EMDR-15W-050



Emergency Driver
LOC-EMDR-25WHV

