

Date: \_\_\_\_\_ Location: \_\_\_\_\_

Product: \_\_\_\_\_ Project: \_\_\_\_\_

Quantity: \_\_\_\_\_ Catalog #: \_\_\_\_\_

## LED LOC-RDCP MW MCCT Canopy Light

### FEATURES

- Default wattage is the highest wattage
  - 75W
- Default CCT: 5,000K
- IP65 rated
- Easy installation and maintenance
- Corrosion and rust proof
- 50,000 hours lifetime

### SUITABLE APPLICATIONS

- Warehouses
- Stadiums
- Factories
- Parking Lots
- Shopping Malls
- Supermarkets
- Logistic Centers
- Auto dealerships



Color Options: White or Bronze

### CONSTRUCTION:

Heavy die-cast aluminum housing with polyester powder-coated finish

### OPTICAL SYSTEM:

Seoul 2835 LED chips. Frosted lens. 135° beam angle.

### WARRANTY:

5-year limited warranty. Actual performance may differ as a result of end-user environment and application.

### ELECTRICAL:

Available as 120-277V input. -20°C to 50°C, -4°F to 122°F

### INSTALLATION & MOUNTING:

Wall Mounting with quick mount back plate for easy installation.

### CONTROLS & DIMMING:

0-10V dimming comes standard.



MODEL NUMBER – 5,000K	WATTAGE	LUMENS	EFFICACY	CRI	POWER FACTOR	THD	REPLACES
LOC-RDCP-MW(40/50/60/75)MCCT(30/40/50)DLV	40W	5,400LM	135LM/W	71	0.924	20%	100W – 320W HID
LOC-RDCP-MW(40/50/60/75)MCCT(30/40/50)DLV	50W	6,750LM	135LM/W	71	0.924	20%	100W – 320W HID
LOC-RDCP-MW(40/50/60/75)MCCT(30/40/50)DLV	60W	8,100LM	135LM/W	71	0.924	20%	100W – 320W HID
LOC-RDCP-MW(40/50/60/75)MCCT(30/40/50)DLV	75W	9,640LM	132.99LM/W	71	0.924	20%	100W – 320W HID

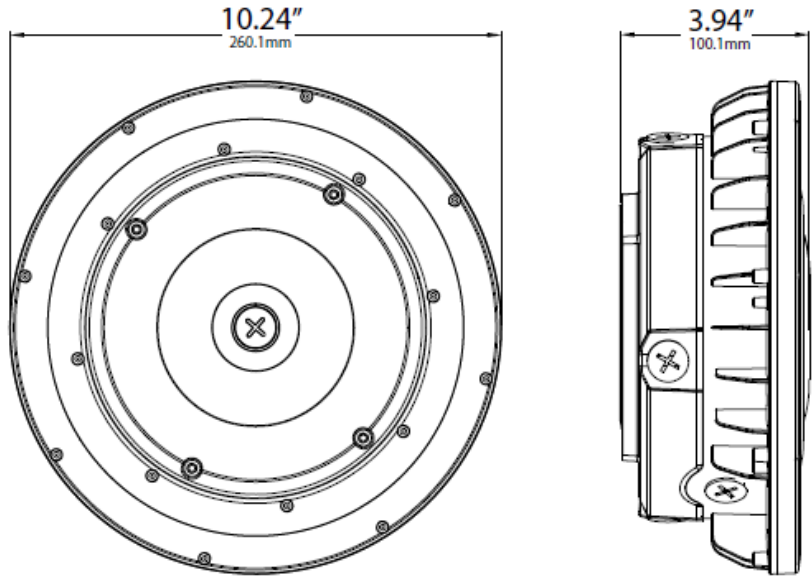
### DLC Product ID:

- S-OYSRW7

# LED LOC-RDCP MW MCCT Canopy Light

Series	Wattage Options	Color Temperature Options	Dimming	Voltage
LOC-RDCP	40W 50W 60W 75W	3000K 4000K 5000K	D = 0-10V	LV = 120-277V

## MEASUREMENTS



MODEL	QUANTITY	WEIGHT	UPC CODE
LOC-RDCP-MW(40/50/60/75)MCCT(30/40/50)DLV	1	4.85 lbs	00810050941532

## OPTIONAL ACCESSORIES



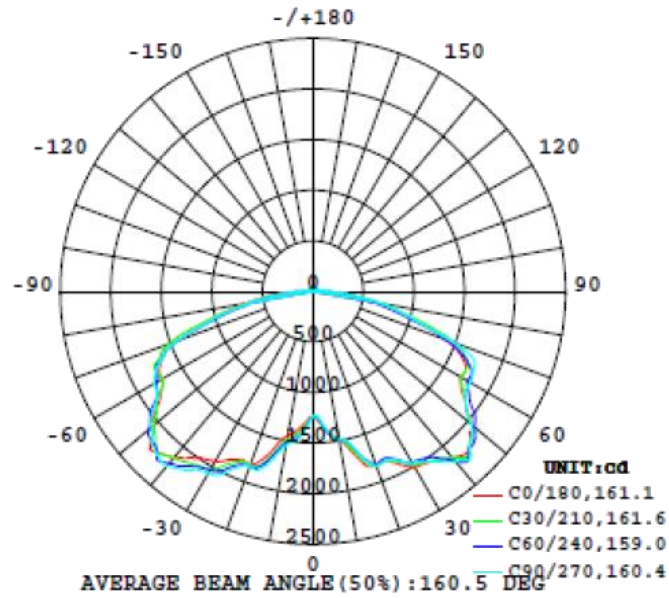
Motion Sensor  
LOC-ANT-5-4T  
(compatible with remote control)

Remote Control  
LOC-RC-100

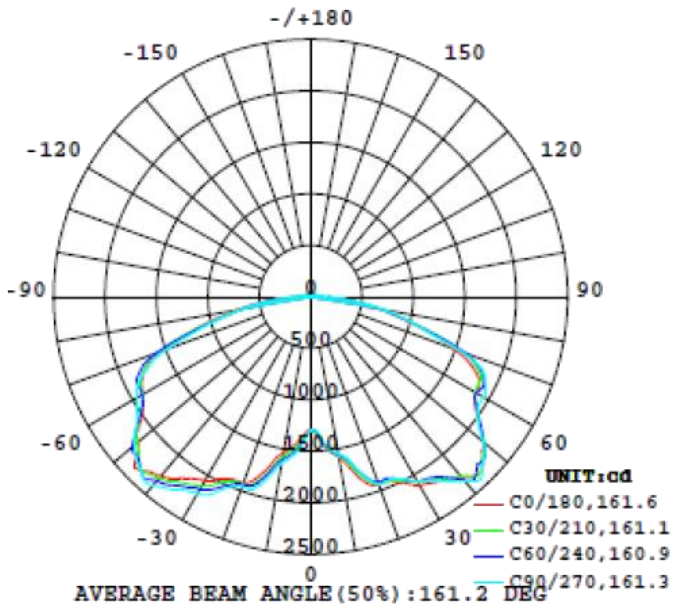
# PHOTOMETRIC DATA

BUG Rating: B3-U3-G2

## 3,000K



## 4,000K



## 5,000K

