

Date: _____ Location: _____

Product: _____ Project: _____

Quantity: _____ Catalog #: _____

LED 3.5W Clear Exit Sign



FEATURES

- UL 924 listed for damp locations (DL)
- Canopy included
- Long lasting LEDs
- Easy installation and maintenance
- 50,000 hours lifetime

SUITABLE APPLICATIONS

- Stairways
- Hallways
- Doorways
- Bathrooms
- Corridors

CONSTRUCTION:

High impact UV stabilized flame rated thermoplastic housing (UL94 V-0) Nickel Cadmium (Ni-Cad) battery meets UL 90-minute emergency lighting requirement. Test switch and AC-On indicator included.

ELECTRICAL:

Available as 120V-347V AC input. 0°C to 40°C, 32°F to 104°F

INSTALLATION & MOUNTING:

Wall, ceiling or end mount capabilities.

WARRANTY:

5-year limited warranty. Actual performance may differ as a result of end-user environment and application.

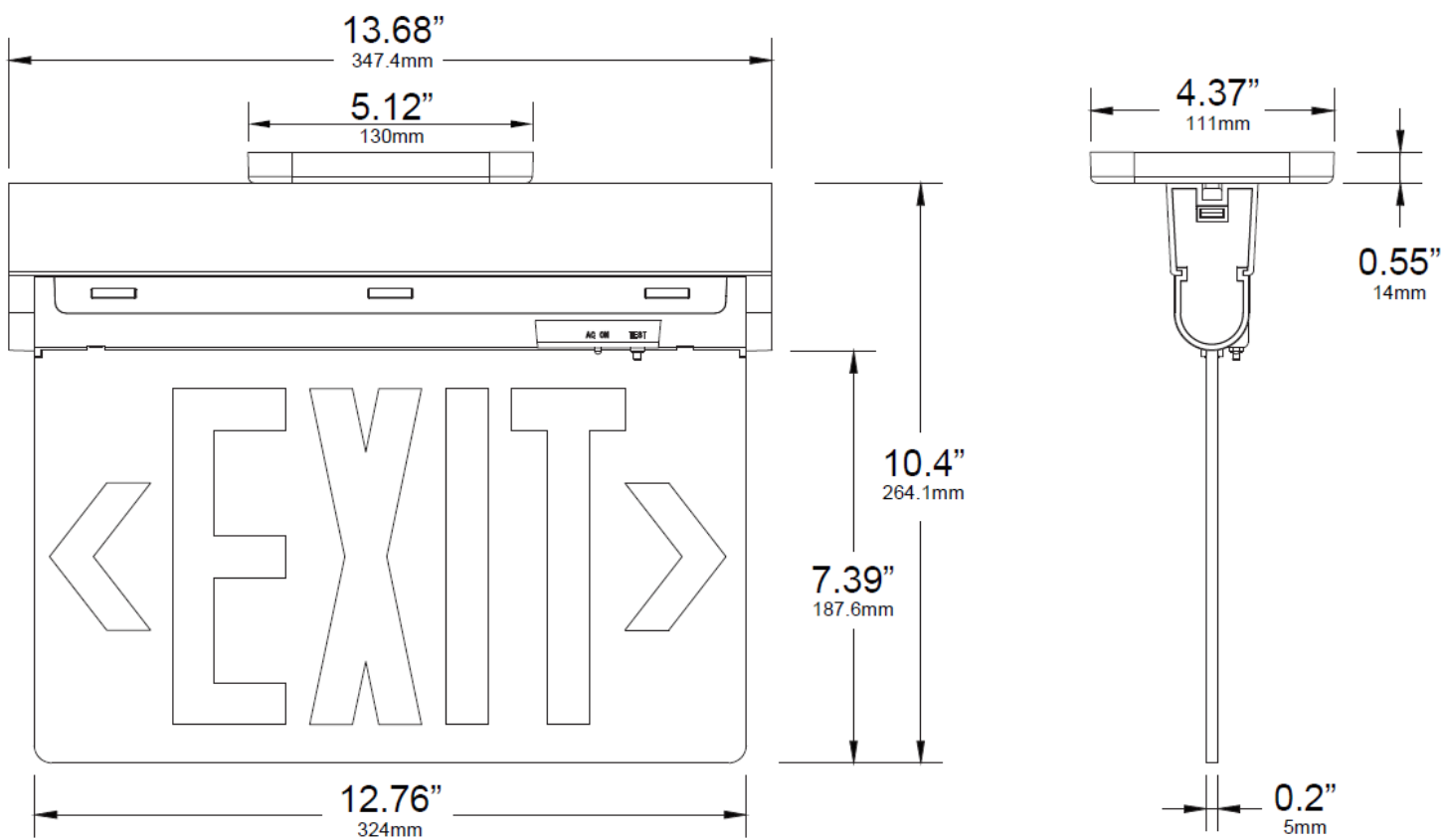


MODEL NUMBER	COLOR	WATTAGE	BATTERY
LOC-EXIT-3.5WGLW-CL	Green Letter	3.5W	Ni-cad

LED 3.5W Clear Exit Sign

Series	Wattage	Letter Color	Color
LOC-EXIT	3.5W	GL = Green Letter	CL = Clear

MEASUREMENTS



MODEL	QUANTITY	WEIGHT	UPC CODE
LOC-EXIT-3.5WGLW-CL	1	1.87 lbs	00810050941464