

## STEP 1

Attach gooseneck pedestal to cement pad and feed wires through the opening.

Gooseneck pedestal installation overview:

### STUD-ANCHOR KIT

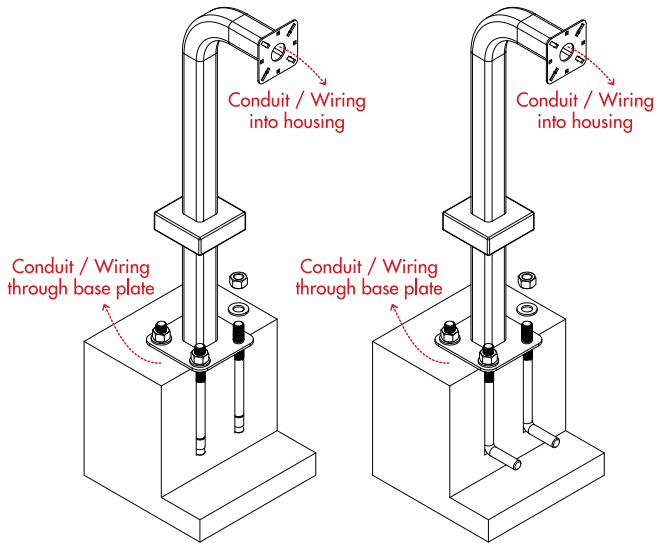
Installation

1. Drill holes in dry concrete.
2. Insert 4 stud anchor bolts into holes.
3. Place pedestal so that bolts go through base plate holes.
4. Install washers and thread nuts.
5. Tighten nuts.

### L-BOLT KIT

Installation

1. Place bolts in wet cement (for added strength add rebar over L-bolts).
2. After cement has cured, place pedestal so that bolts go through base plate holes.
3. Install washers and nuts.
4. Tighten nuts.

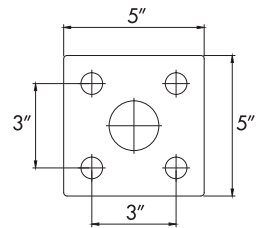
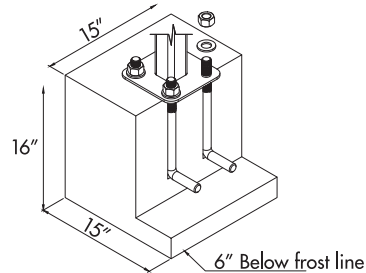


[www.steelcut.design](http://www.steelcut.design)

## PEDESTAL AND HOUSING INSTALL GUIDE

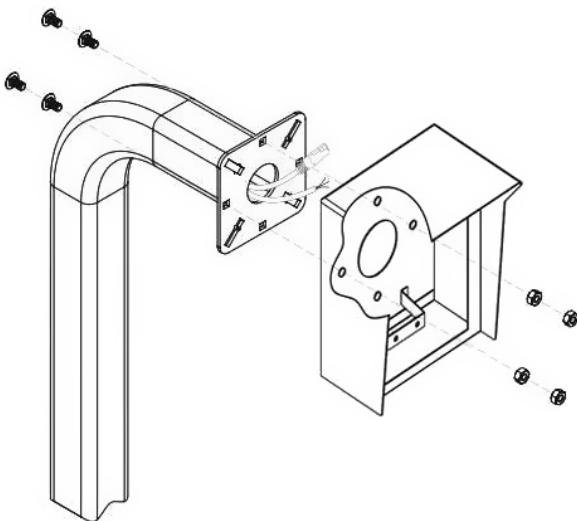
Minimum cement pad dimensions

Base plate dimensions



## STEP 2

Attach housing to the gooseneck pedestal.



## STEP 3

Install door station following the manufacturer's instructions.

