

STEP 1

Attach gooseneck pedestal to cement pad and feed wires through the opening.

Gooseneck pedestal installation overview:

STUD-ANCHOR KIT

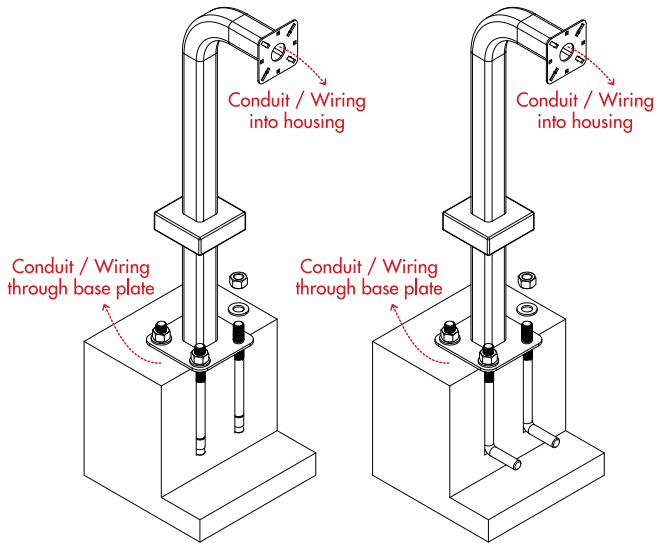
Installation

1. Drill holes in dry concrete.
2. Insert 4 stud anchor bolts into holes.
3. Place pedestal so that bolts go through base plate holes.
4. Install washers and thread nuts.
5. Tighten nuts.

L-BOLT KIT

Installation

1. Place bolts in wet cement (for added strength add rebar over L-bolts).
2. After cement has cured, place pedestal so that bolts go through base plate holes.
3. Install washers and nuts.
4. Tighten nuts.

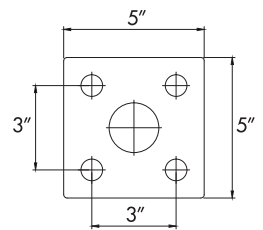
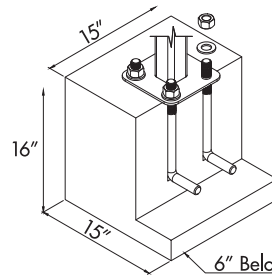


www.steelcut.design

PEDESTAL AND HOUSING INSTALL GUIDE

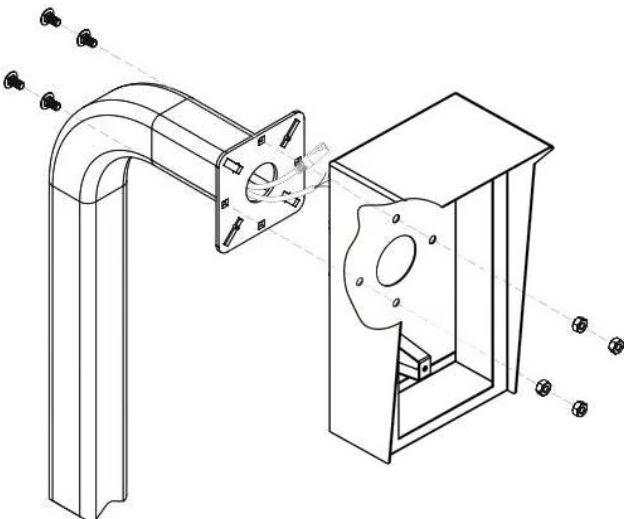
Minimum cement pad dimensions

Base plate dimensions



STEP 2

Attach housing to the gooseneck pedestal.



STEP 3

Install door station following the manufacturer's instructions.

