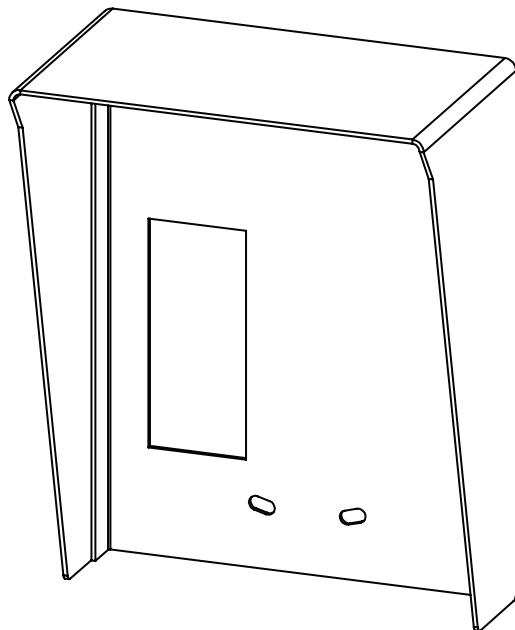




www.steelcut.design

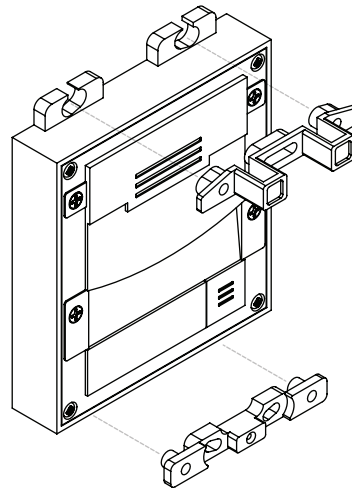
INSTALL GUIDE

DS2 MINI SURFACE MOUNT HOOD



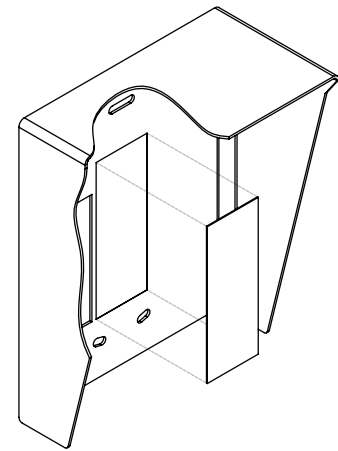
STEP 1

Install mounting hardware in DS2 Surface Mount.



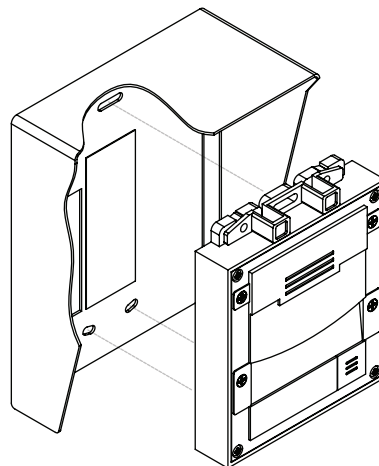
STEP 2

Attach double-sided tape to the hood per the diagram. Make sure the tape does not cover any of the hood's cutouts.



STEP 3

Adhere DS2 Surface Mount to the hood. Make sure the mounting holes line up.



STEP 4

Complete installation of the combined hood and DS2 Surface Mount per Control4's mounting instructions.

