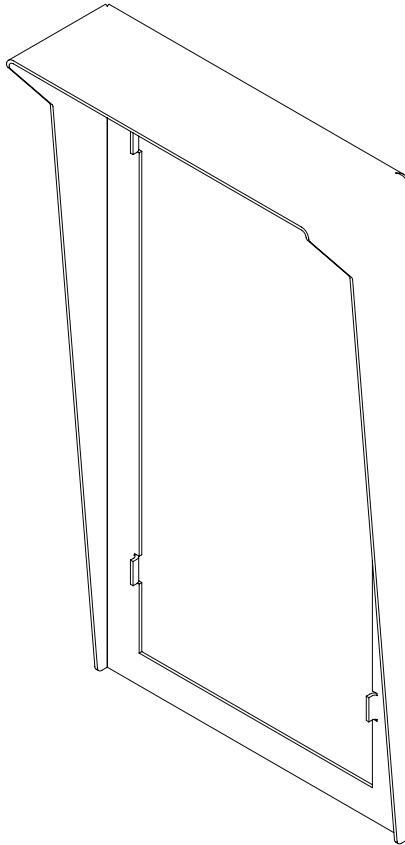




www.steelcut.design

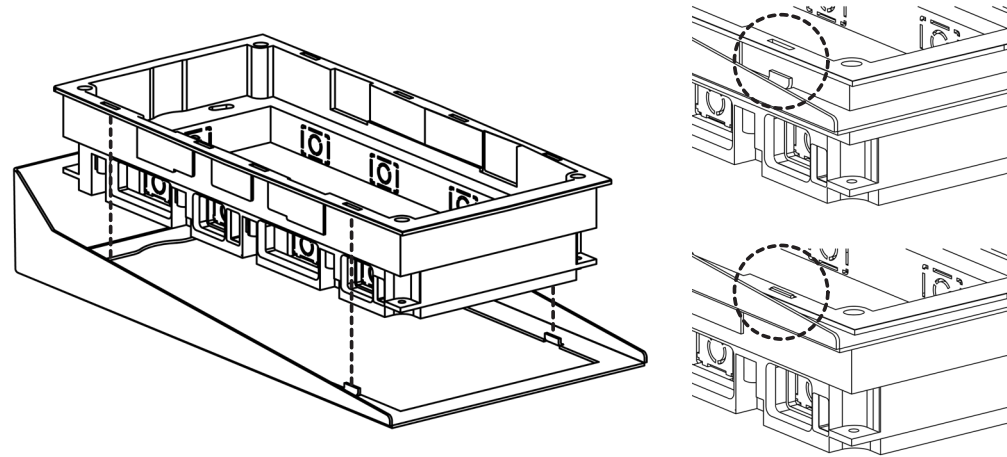
**INSTALL GUIDE**

**HOOD FOR RECESSED HOUSING**



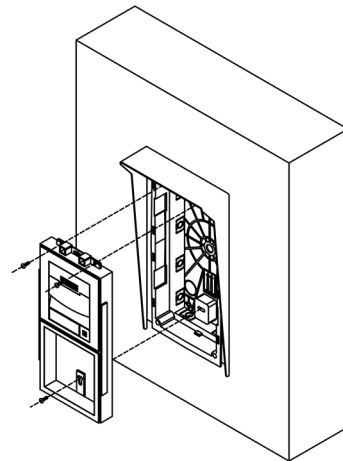
**STEP 1**

Cut a hole in the wall following the back box manufacturer's instructions and cut-out template. Join the back box and the hood, inserting the 4 tabs from the hood into the back box. Secure the back box to the wall.



**STEP 2**

Install door station following the manufacturer's instructions.



**STEP 3**

Install keypad and faceplate following the manufacturer's instructions.

