

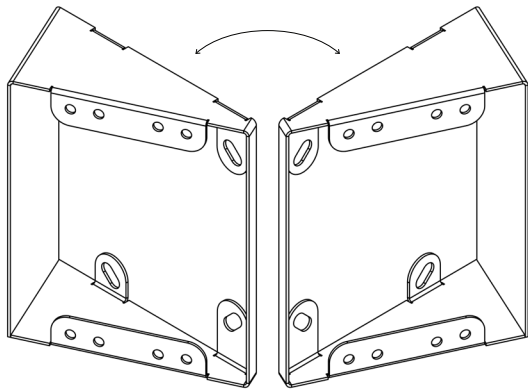


www.steelcut.design

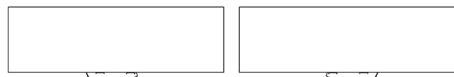
INSTALL GUIDE

ANGLE BRACKET

The angle bracket can be used for Left or Right installations by rotating it 180°.



Top view

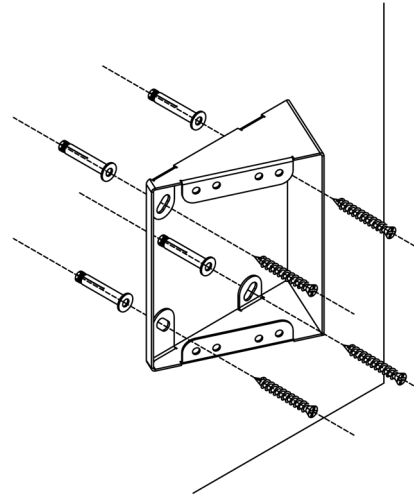


Left-side mount

Right-side mount

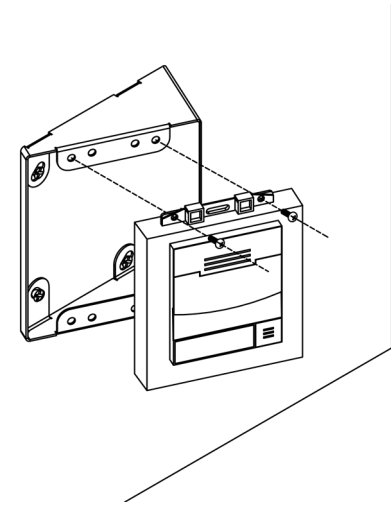
STEP 1

Use included mounting hardware to mount angle bracket to the wall.



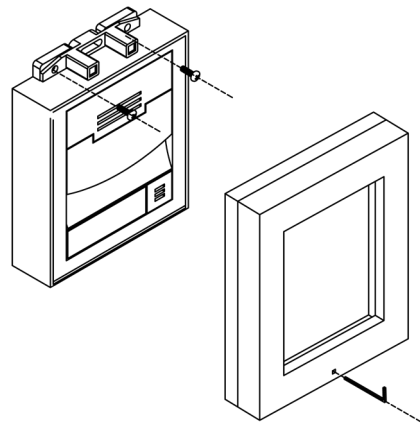
STEP 2

Attach door station using 2 screws.



STEP 3

Attach keypad and faceplate to the door station following the manufacturer's instructions.



NOTES

Blank lined area for notes.