

# MODEL AHG

## Portable Adjustable Height Gantry Crane

Designed for everyday use, gantry cranes are recommended for production, installation, and maintenance service where portability is required. Depending on the capacity, the gantry is equipped with phenolic, poly coated, or forged steel heavy duty swivel casters. All caster types feature roller bearings for ease of movement. Grease fittings are included for ease of maintenance. 'V' Groove and flanged wheels are also available upon request.

**CAPACITIES & SPANS** - Rated loads from 1/8 to 10 ton with span lengths up to 30+ feet.

### FEATURES & BENEFITS

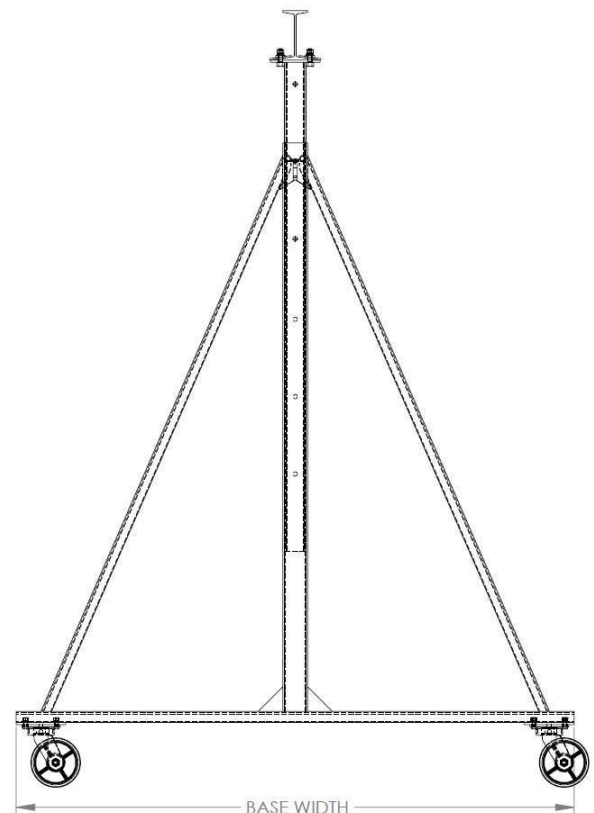
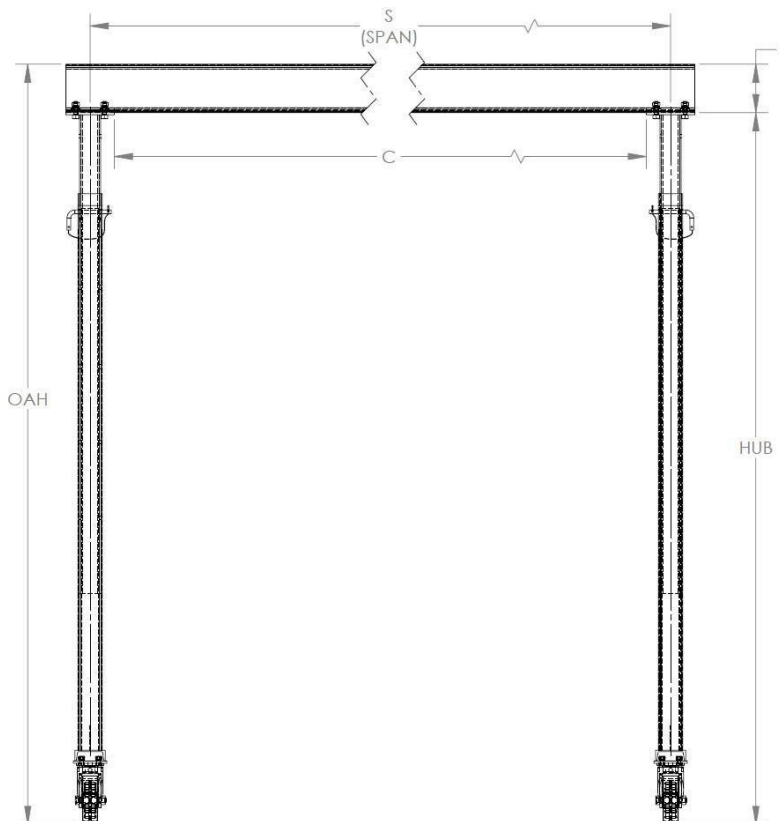
- **Adjustable Height and Span**
- Economical solution when portability is required
- No Foundation Requirement
- *Motorization available*

### OPTIONS & ACCESSORIES

- Tight Wire Kit (Festooning/"Tagline")
- Swivel Locks
- Wheel Locks
- Rigid or 'V' Groove Casters
- Hoist & Trolley Packages
- Motorization
- **ALUMINUM CONSTRUCTION AVAILABLE**



MADE IN  
  
U. S. A.



**MUSTANG**

# Portable Adjustable Height Gantry Crane

Capacity	S Span	Model Number	HUB Min/Max	OAH Min/Max	C Clear Span	I-Beam Depth
1 TON	8'	AHG-2000-8-10	6'-5" to 10'-0"	7'-1" to 10'-8"	6'-6"	8"
		AHG-2000-8-12	7'-5" to 12'-0"	8'-1" to 12'-8"	6'-6"	8"
		AHG-2000-8-15	9'-5" to 15'-0"	10'-1" to 15'-8"	6'-6"	8"
	10'	AHG-2000-10-10	6'-5" to 10'-0"	7'-1" to 10'-8"	8'-6"	8"
		AHG-2000-10-12	7'-5" to 12'-0"	8'-1" to 12'-8"	8'-6"	8"
		AHG-2000-10-15	9'-5" to 15'-0"	10'-1" to 15'-8"	8'-6"	8"
	12'	AHG-2000-12-10	6'-5" to 10'-0"	7'-1" to 10'-8"	10'-6"	8"
		AHG-2000-12-12	7'-5" to 12'-0"	8'-1" to 12'-8"	10'-6"	8"
		AHG-2000-12-15	9'-5" to 15'-0"	10'-1" to 15'-8"	10'-6"	8"
	15'	AHG-2000-15-10	6'-5" to 10'-0"	7'-1" to 10'-8"	13'-6"	8"
		AHG-2000-15-12	7'-5" to 12'-0"	8'-1" to 12'-8"	13'-6"	8"
		AHG-2000-15-15	9'-5" to 15'-0"	10'-1" to 15'-8"	13'-6"	8"
	20'	AHG-2000-20-10	6'-5" to 10'-0"	7'-3" to 10'-10"	18'-6"	10"
		AHG-2000-20-12	7'-5" to 12'-0"	8'-3" to 12'-10"	18'-6"	10"
		AHG-2000-20-15	9'-5" to 15'-0"	10'-3" to 15'-10"	18'-6"	10"
2 TON	8'	AHG-4000-8-10	6'-9" to 10'-0"	7'-5" to 11'-0"	6'-6"	8"
		AHG-4000-8-12	7'-9" to 12'-0"	8'-5" to 13'-0"	6'-6"	8"
		AHG-4000-8-15	9'-9" to 15'-0"	10'-5" to 15'-8"	6'-6"	8"
	10'	AHG-4000-10-10	6'-9" to 10'-0"	7'-5" to 11'-0"	8'-6"	8"
		AHG-4000-10-12	7'-9" to 12'-0"	8'-5" to 13'-0"	8'-6"	8"
		AHG-4000-10-15	9'-9" to 15'-0"	10'-5" to 15'-8"	8'-6"	8"
	12'	AHG-4000-12-10	6'-9" to 10'-0"	7'-5" to 11'-0"	10'-6"	8"
		AHG-4000-12-12	7'-9" to 12'-0"	8'-5" to 13'-0"	10'-6"	8"
		AHG-4000-12-15	9'-9" to 15'-0"	10'-5" to 15'-8"	10'-6"	8"
	15'	AHG-4000-15-10	6'-9" to 10'-0"	7'-7" to 10'-10"	13'-6"	10"
		AHG-4000-15-12	7'-9" to 12'-0"	8'-7" to 12'-10"	13'-6"	10"
		AHG-4000-15-15	9'-9" to 15'-0"	10'-7" to 15'-10"	13'-6"	10"
	20'	AHG-4000-20-10	6'-9" to 10'-0"	7'-9" to 11'-0"	18'-6"	12"
		AHG-4000-20-12	7'-9" to 12'-0"	8'-9" to 13'-0"	18'-6"	12"
		AHG-4000-20-15	9'-9" to 15'-0"	10'-9" to 16'-0"	18'-6"	12"
3 TON	8'	AHG-6000-8-10	6'-11" to 10'-0"	7'-9" to 10'-10"	6'-6"	10"
		AHG-6000-8-12	7'-11" to 12'-0"	8'-9" to 12'-10"	6'-6"	10"
		AHG-6000-8-15	9'-11" to 15'-0"	10'-9" to 15'-10"	6'-6"	10"
	10'	AHG-6000-10-10	6'-11" to 10'-0"	7'-9" to 10'-10"	8'-6"	10"
		AHG-6000-10-12	7'-11" to 12'-0"	8'-9" to 12'-10"	8'-6"	10"
		AHG-6000-10-15	9'-11" to 15'-0"	10'-9" to 15'-10"	8'-6"	10"
	12'	AHG-6000-12-10	6'-11" to 10'-0"	7'-9" to 10'-10"	10'-6"	10"
		AHG-6000-12-12	7'-11" to 12'-0"	8'-9" to 12'-10"	10'-6"	10"
		AHG-6000-12-15	9'-11" to 15'-0"	10'-9" to 15'-10"	10'-6"	10"
	15'	AHG-6000-15-10	6'-11" to 10'-0"	7'-11" to 11'-0"	13'-6"	12"
		AHG-6000-15-12	7'-11" to 12'-0"	8'-11" to 13'-0"	13'-6"	12"
		AHG-6000-15-15	9'-11" to 15'-0"	10'-11" to 16'-0"	13'-6"	12"
	20'	AHG-6000-20-10	6'-11" to 10'-0"	8'-1" to 11'-2"	18'-0"	14"
		AHG-6000-20-12	7'-11" to 12'-0"	9'-1" to 13'-8"	18'-0"	14"
		AHG-6000-20-15	9'-11" to 15'-0"	11'-1" to 16'-2"	18'-0"	14"

**Model Number Explanation**

Model Number - Capacity - Span - HUB.

Example: 3 ton gantry with a 10 foot span and a 14 foot HUB: 511 = Adjustable Height Gantry Crane, 6000 = 3 Ton, 10 = Span, 15 = MAX HUB (AHG-6000-10-15). **Larger Capacities & Spans Available - Motorized Units Available**