

ADVANTAGE



**HEAVY DUTY
ELECTRIC
CHAIN HOISTS**

ADVANTAGE

XL



MODEL: AXL-200-1



6 LOAD CHAIN

Grade 80 hardened and galvanized alloy steel chain, endures harsh conditions such as rain, saltwater and chemicals with minimal wear.

7 HOOK

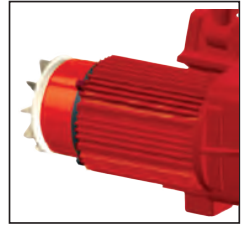
- 1) Hot forged from high tensile steel.
- 2) 360 degree rotation.

8 PENDANT CONTROL

High protection grade IP65, fully water-proof, insulated, and impact resistant.

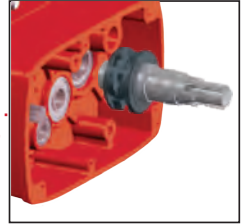
1 MOTOR AND BRAKE

- 1) LPSS TEFC motor, class F insulation, good thermal performance.
- 2) DC motor brake: with two-side single disk brake, electromagnetic brake actuates synchronously in the event of power failure to ensure the operation safety while loading.
- 3) Total enclosed construction, withstands harsh conditions like those found in chemical, and electroplating environments.
- 4) Asbestos-free brake to meet international request.



Over-Heat Protection

With built-in heat detector, when motor's inside working temperature reaches 140 (±5)°C.



2 CHAIN SPROCKET

5-pocket chain sprocket for load chain smooth operation.

3 MECHANICAL BRAKE AND OVERLOAD PROTECTION

- 1) 2 in 1 design, have the dual function of mechanical brake and overload protections.
- 2) Mechanical brake collocate motor brake with provides fast braking function.
- 3) Friction Clutch prevent damage from overloading.
- 4) Easily adjusted by the gear box outside Overload setting.
- 5) Ensure operation safety and product life time.



4 LIMIT SWITCH

Upper and lower gear limit switches are fitted to switch off the power simultaneously in the case of over lifting or lowering position.



5 CONTROL PANEL

Phase Error Relay

Phase protection, in case of any phase missing or incorrect, the hoist will not be in active, ensuring the safety and durability to all Components.



MODEL: AXL-300-2



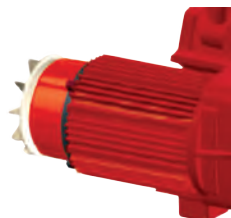
1 GEAR LIMIT SWITCH

- 1) Can precisely control stopping point at any position.
- 2) Patents:
 - Taiwan patent no. MA466909
 - German patent no. Nr. 20 2014 006 109.2
 - Japan patent no. 3193570
 - China patent no. ZL 2014 2 0395985.8
 - United States patent no. US 9263201



2 MOTOR ASS'Y

Light and artistic motor housing is made of aluminum extruded alloy and motor coil can simply disassemble and repair.

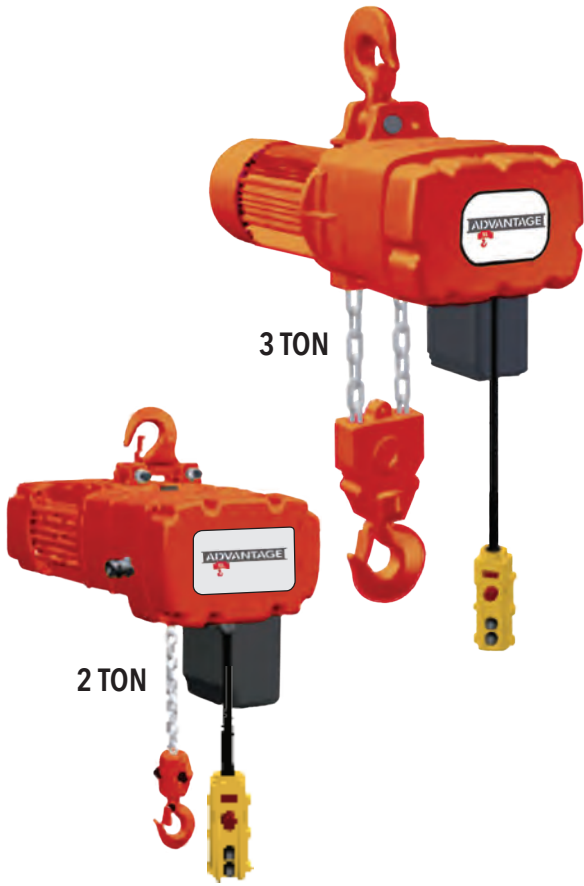


3 CHAIN SPROCKET AND REGULATOR

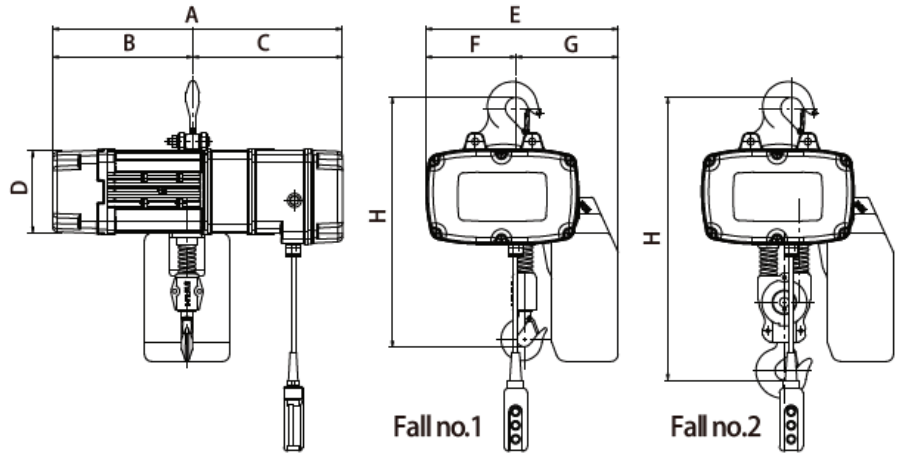
Can rapidly remove and replace unlike previous model have to remove motor or other components first.



ADVANTAGE



AXL SERIES



MODEL	CAPACITY (ton)	LIFT (ft)	Hoisting Speed (ft/min) 60Hz
AXL-200-1	2	20	31/7
AXL-300-2	3	20	21/5

MODEL	DIMENSIONS (in)							
	H	A	B	C	D	E	F	G
AXL-200-1	40.16	28.15	13.39	14.76	8.67	20.87	10.63	10.24
AXL-300-2	40.16	28.15	13.39	14.76	8.67	20.87	10.63	10.24

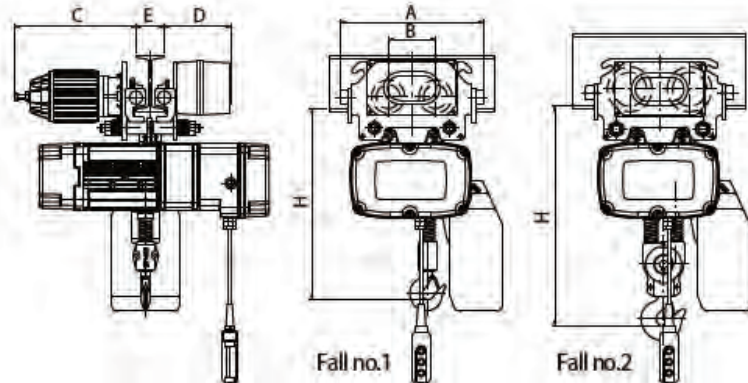
LOAD CHAIN		
Ømm	Fall No.	N.W. (lbs)
10x30	1	224.87
10x30	2	264.55

ADVANTAGE

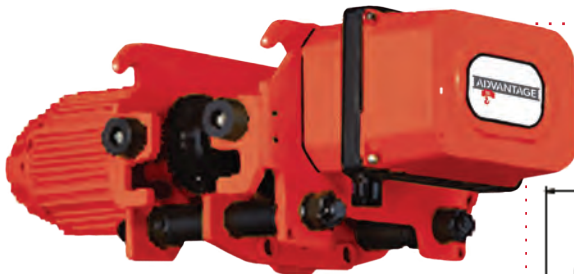
XL



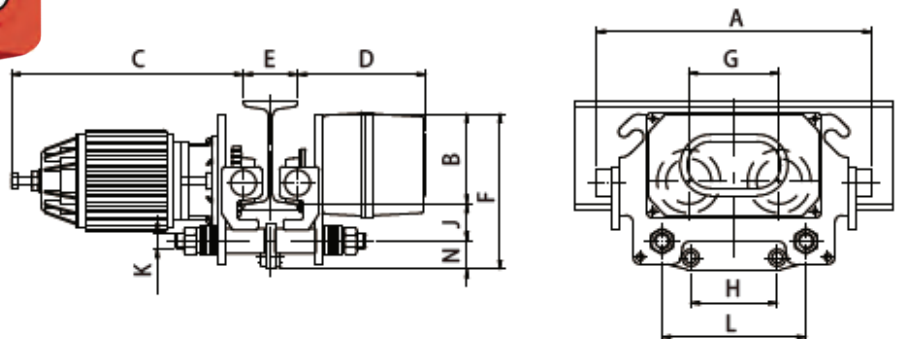
HOIST WITH MOTORIZED AXL-TROLLEY



MODEL	DIMENSIONS (in)						Fall No.
	H	A	B	C	D	E	
AXL-200-1+AXL-T-200-1	38.39	15.55	6.26	14.17	7.28	3.94~5.91	1
AXL-300-2+AXL-T-300-2	39.37	17.52	7.28	15.75	7.68	4.92~6.89	2



MOTORIZED AXL-TROLLEY



MODEL	Traversing Speed (ft/min) 60 Hz	DIMENSIONS (in)											N.W. (lb)
		A	B	C	D	E	F	G	H	L	J	N	
AXL-T-200-1	80	15.55	4.92	14.17	7.28	3.94~5.91	8.70	6.26	2.07	9.06	2.36	1.42	110
AXL-T-300-2	80	17.52	5.31	15.75	7.68	4.92~6.89	11.22	7.29	2.07	9.84	2.76	2.28	196

*Different flange width options available on request. Maximum 11.81"