



## Calibration instructions for badassBoxes with "Pro" firmware

Please read these instructions thoroughly first. In case of doubt, contact your retailer or our customer service team.

Your badassBox is sensibly pre-calibrated ex works. These instructions show you how to set an individual peak velocity.

The shown images and speeds should be taken as model examples. All speeds are in km/h.

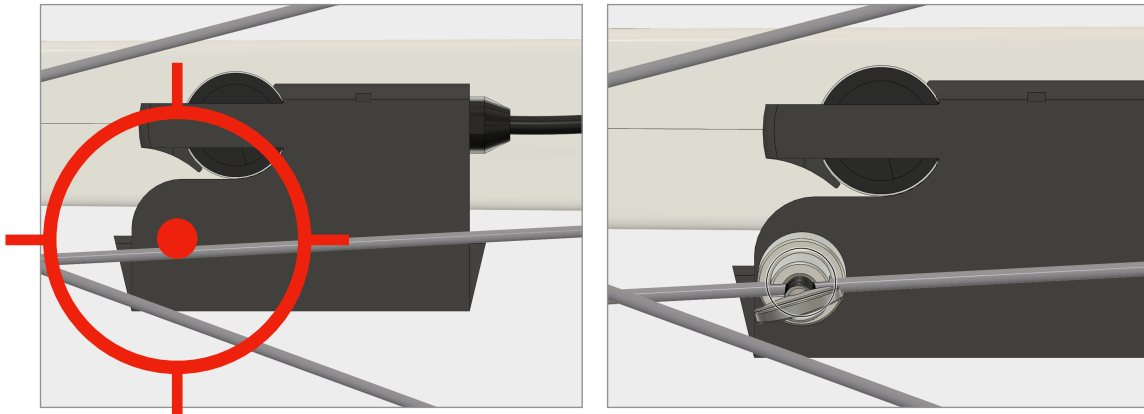
1. Attach the badassBox to your e-bike and ensure the spoke magnet is positioned correctly so that the bike's tacho displays a speed when you turn the rear wheel:



2. Now remove the badassBox from your e-bike, remove the cover and take out the battery:



3. Slide the badassBox without battery and cover back onto the sensor, and turn the rear wheel so the spoke magnet faces the badassBox directly. Switch on your e-bike.



4. Allow at least 15 seconds to elapse after removing the battery. Then reinsert the battery. Make sure the polarity is correct. The spoke magnet must remain unchanged facing the badassBox during this time.



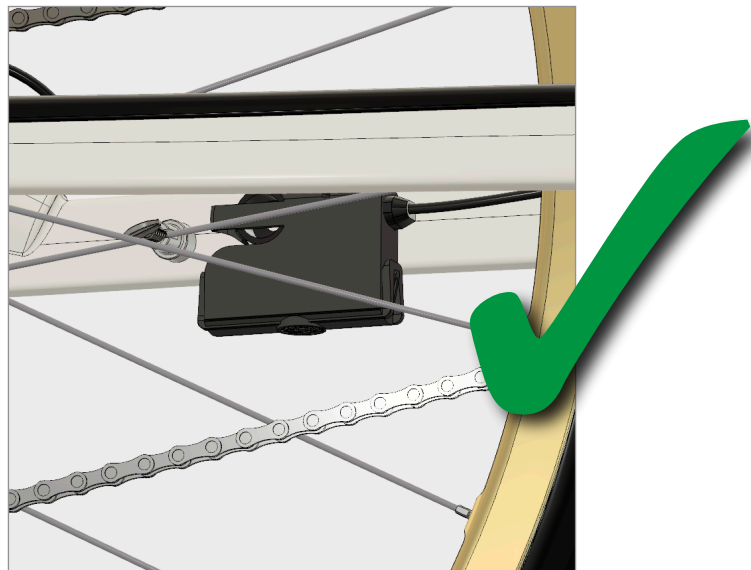
5. If the procedure is followed correctly, the badassBox is immediately in calibration mode after the battery has been inserted. The tacho of your e-bike should indicate a constant speed (even if the rear wheel does not rotate) - this is the currently set peak velocity of your badassBox, e.g.:



6. With every revolution of the rear wheel – i.e. every time the spoke magnet comes into magnetic contact with the badassBox, the displayed speed will increase by about 0.5 km/h. It is best to turn the rear wheel, not the pedal crank. Once you reach the highest possible speed, the display reverts to the lowest speed:



7. Do not turn the rear wheel for at least 30 seconds when you have reached the desired value. The badassBox saves the individual peak velocity, exits the calibration mode and returns to the regular operating mode.
8. Replace the cover over the badassBox. Calibration of your badassBox is now complete.



If the motor support stops while driving or an error message is displayed, calibrate the badassBox to a lower peak velocity.

**Info** The individual calibration is retained when the battery is changed.