

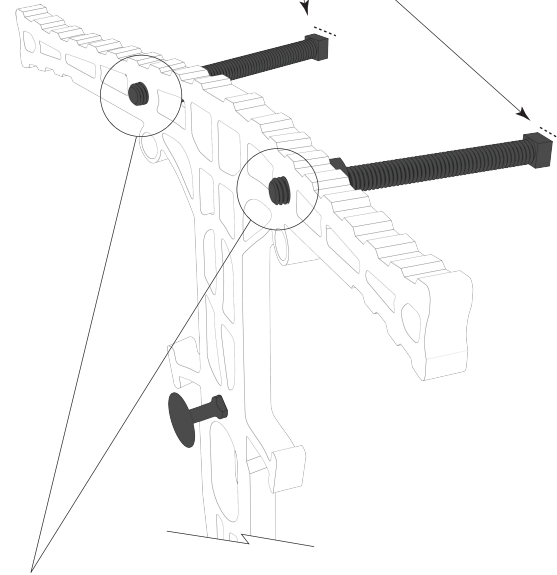
D'ACQUISTO SERIES DOUBLE STEP STICK ASSEMBLY INSTRUCTIONS



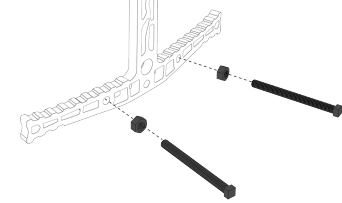
- Kit Contains (per one stick)  
 (1) Cam Strap  
 (1) Micro versa button  
 (4) 3/8 x 16 nuts  
 (4) 3/8 x 16 x 3" Square Head studs

- Tools Needed:  
 5/16" open end wrench  
 3/8" open end wrench  
 9/16" open end wrench  
 Stick of bow wax or silicone lubricant

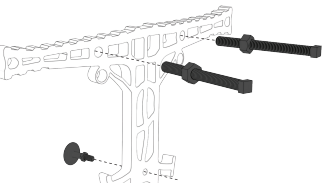
\*note - Be sure the FLAT end of stud is to the top and flush with step as shown



**1** Sub assemble all nuts onto bolts. Approximately 1 inch (use button head shaft or tape measure for reference).

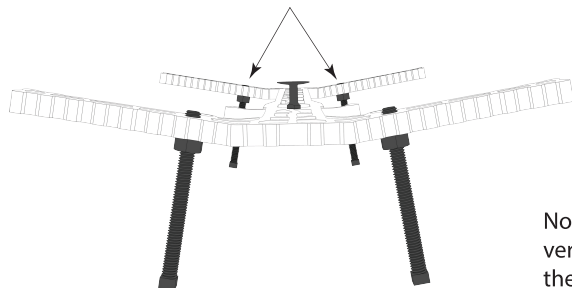


**2** Optional: Pack entry side of holes with bow wax or stick lubricant.

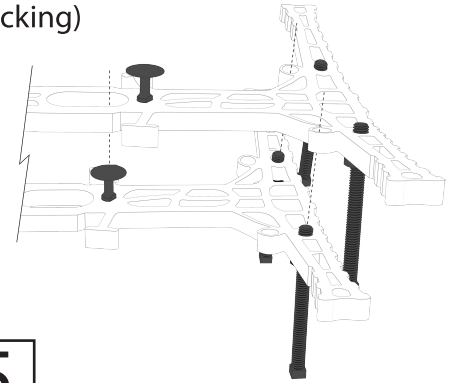


Carefully start to screw the stud into hole on the back side of stick \*be sure not to cross thread\* You should be able to get at least 1 to 2 turns without using a wrench if needed use 3/8" open wrench.

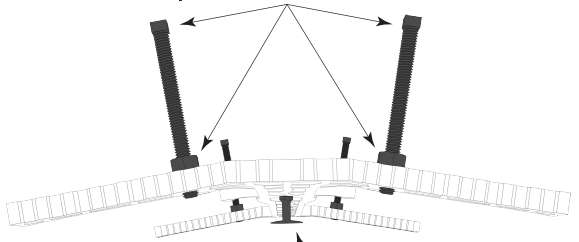
**3** Run all 4 studs into stick until screw ends are flush with the stick surface.



**4** Thread the top two studs an additional 3 full turns. You should end up with the top two screws sticking out of the stick. (this is for stick alignment when stacking)



**5** Tighten the nut using the 9/16" open end wrench and 3/8" wrench to secure the square end of the stud.



**6** Hand start the Micro versa button into the provided hole. Tighten with 5/16" wrench until the button sits flush on the stick.

Note: If you're going to use the t-mounting system instead of the versa button, it's recommended to file sharp edges and cover them with tape or shrink tubing