

JAMEC PEM

COUPLE UP WITH THE RIGHT CONNECTION

PRO: X



Air and Water Hose Reel Operating Instructions

58.3012 - 20 metre x 10mm (3/8")
Extreme Ultraflex Reinforced Air Hose

58.3023 - 30 metre x 10mm (3/8")
Extreme Ultraflex Reinforced Air Hose

58.3034 - 20 metre x 12mm
Extreme Ultraflex Reinforced Water Hose

58.3045 - 30 metre x 12mm
Extreme Ultraflex Reinforced Water Hose

EXTREME
ULTRAFLEX
REINFORCED HOSE

PRO:X

The Jamec Pem PRO:X Hose Reel has been manufactured using the highest quality materials. This multi-purpose hose reel is suitable for compressed air and water applications and is ideal for use around the home, automotive workshop or industrial site.

FEATURES

- Precision machined brass internal spindle for strength and reliability. (water model fitted with nylon spindle)
- Adjustable tension control allows for spring coil tension to be increased or decreased spring tension.
- Fully enclosed outer case protects hose and inner drum against dirt and other contaminants.
- High impact and weather resistant UV stabilised polypropylene case.
- Stop anywhere locking
- Extreme ultraflex reinforced hose braided hose with an additional 2 metre leader hose.
- Quality brass hose connectors, tap fittings and water trigger gun included (with water model only).
- Heavy duty mounting bracket 180° swivel mount.
- Convenient carry handle located on back of the case allows easy removal and refitting of the hose reel to the mounting bracket.



PRODUCT IDENTIFICATION

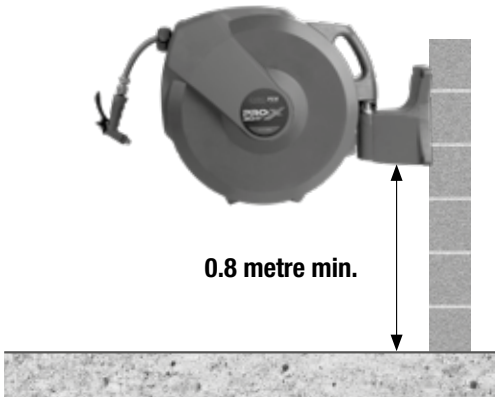
- 1 Mounting bracket
- 2 Fully enclosed case
- 3 Carry handle
- 4 Brass internal spindle (nylon internal spindle water model)
- 5 2 metre leader hose
- 6 Hose with adjustable stopper
- 7 Water gun (with water model only)
- 8 4 x M12 (OD) masonry anchors

INSTALLATION

The Jamec Pem PRO:X Hose Reel can be mounted in a vertical position.

1. Choose a location that is near to the water source or compressed air source.
2. For large areas, place the hose reel at the centre of the work area.
3. When mounting the hose reel, ensure there is adequate clearance under the reel to prevent injury or damage.
4. Mounting bracket must be installed on a flat surface.

Note: It is recommended to install the mounting bracket 0.8 metre (minimum) above the floor level.



5. The wall bracket supplied has 4 x M8 holes. The masonry anchors supplied are M12 OD with M8 threads to fit into the wall bracket. If attaching to masonry, drill 4 x M12 holes to affix the masonry anchors, making sure to locate the holes in the right position to match the wall bracket. (Fig. 1)

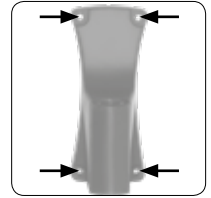


Fig. 1 Mounting Bracket

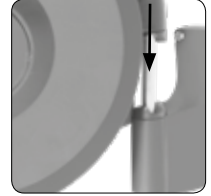


Fig. 2 Pivot Pin

6. Connect the hose reel to the Mounting Bracket with the Pivot Pin. (Fig. 2)
7. Connect the inlet leader hose to the source using the fittings supplied.

Note: Apply thread sealing tape to all air line and air hose fittings.

OPERATION

1. Slowly pull out the hose to the required length. A 'click' noise will be heard. To lock the reel, allow the hose to retract slowly after hearing 'click'.
2. To release the hose, pull out the hose until you hear a 'click', and then allow the hose to slowly retract while guiding the hose back into the hose reel. The self layering mechanism will coil the hose back onto the inner drum.

3. To avoid injury and damage, always hold the hose while it is retracting. This hose reel has a controlled return function which allows the hose to return slowly if it is let go. It is always recommended to always hold the hose while it's retracting. In the event the hose is let go this controlled return function will stop the hose from reacting too fast.

IMPORTANT:

If the hose becomes tangled and will not retract - slowly pull out the hose past the tangled section and then allow the hose to slowly retract while guiding the hose back into the hose reel. Always ensure the hose is clean and not twisted.

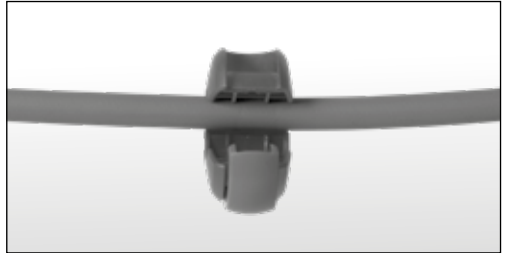
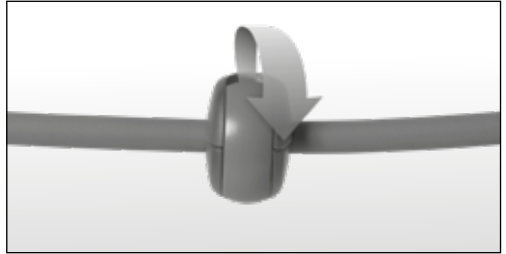
ADJUSTING THE STOP-BALL

The location of the hose stopper can be adjusted to allow more hose or less hose to be exposed when fully rewound.

1. Pull out the desired length of hose, ensuring the hose reel is in the lock position.
2. Open the latch on the hose stopper and move it to the desired position on the hose.
3. Re-latch the hose stopper at desired position

CAUTION:

Always make sure the hose reel is in the locked position before removing the hose stopper and make sure the hose stopper is securely fastened before unlocking the reel.



ADJUSTING THE TENSION SPRING

Over time it is natural for the spring to lose some tension. The tension can easily be adjusted and tightened to provide years of service.

CAUTION:

Only adjust the spring when the hose is fully rewound. Do Not Over-tighten

1. Using a flat head screw driver, remove the side cover marked "Coil Spring Adjustment" by prying it open where indicated.
2. Fold out the crank handle.

3. Turn the crank clockwise to increase the tension, counter clock-wise to reduce the tension.
4. Turn the crank handle five times in the desired direction. Check the spring tension by pulling a short length of the hose and letting it rewind.
5. Repeat this process until there is just enough tension to fully rewind the hose
6. The hose tension should only be tensioned to the point where the hose stopper "just" makes it back to the hose reel. If the hose is returning to hard and fast to the hose reel then the tension is too much and needs to be adjusted accordingly. (Over tensioning will not be covered by warranty)

DO NOT over tension the spring. doing so will not allow the hose to be pulled out entirely and may result in damage to the hose reel and spring mechanism



CHANGING THE HOSE

1. Release all tension on the hose prior to commencing. See section "ADJUSTING THE SPRING TENSION".
2. Note that all the hose needs to be pulled out from the hose reel prior to commencing. So the procedure in point 1 will have to be done several times as the spring tension will increase as the hose is extracted.
3. Once all the hose has been pulled out move to point 3.
NOTE: DO NOT attempt to change the hose while any tension on the spring exists. Doing so can cause injury.
4. Using a flat head screw driver, remove the side cover marked "cover removal" by prying it open where indicated. (this cover is the same side as the inlet side of the hose reel.
5. Move the internal drum until you expose the hose connection window on the internal drum. Use a small spanner / screw driver to undo the hose clamp. Remove hose from barded hose connection on the internal drum and feed hose out of the hose reel.

6. Feed new hose through the roller guide onto the barbed hose connection on the internal drum. Retighten the hose clamp.
7. Replace the inlet side cover.
8. Re-tension the spring by following the section "ADJUSTING THE SPRING TENSION".
9. As the spring gets more tension the hose will automatically retract back into the hose reel. Once hose has completely retracted into the hose reel, adjust the tension on the spring accordingly.

DO NOT over tension the spring. Doing so will not allow the hose to be pulled out entirely and may result in damage to the hose reel and spring mechanism.





SPECIFICATIONS

Part No.	Hose Length	Hose Material	Working Pressure	Hose I.D.	Hose O.D.	Leader Hose	Inlet Size
58.3012	20 m	Extreme Ultraflex Reinforced	Max. 300 p.s.i. (20 BAR)	9.2 mm	15.2 mm	2 m	1/4" BSP
58.3023	30 m	Extreme Ultraflex Reinforced	Max. 300 p.s.i. (20 BAR)	9.2 mm	15.2 mm	2 m	1/4" BSP
58.3034	20 m	Extreme Ultraflex Reinforced	Max. 150 p.s.i. (10 BAR)	10.5 mm	16.5 mm	2 m	12mm tap fitting
58.3045	30 m	Extreme Ultraflex Reinforced	Max. 150 p.s.i. (10 BAR)	10.5 mm	16.5 mm	2 m	12mm tap fitting

MAINTENANCE

- Always keep the hose clean.
- If the hose becomes dirty, clean it with a damp cloth while retracting.
- DO NOT twist the hose while in use.
- Mount the hose reel in a sheltered area to assist and protect the performance of the hose and hose reel.
- DO NOT allow the hose to contact any corrosive chemicals or fluids.
- Always retract the hose when not in use.
- The Jamec Pem PRO:X Hose Reel contains a pre-tensioned spring inside the inner drum assembly.

Do not attempt to open the inner drum assembly.

WARRANTY & CLAIM PROCEDURE

The Jamec Pem PRO:X Hose Reel is covered against defects in material and workmanship.

In the instance of a warranty claim, the owner will be entitled to a replacement unit or a sufficient repair of the defective part/s and or component/s to ensure normal operating condition of the hose reel.

WARRANTY EXCLUSIONS

The hose, rubber o-rings and hose stopper are deemed normal wear items and are not covered under warranty.

The warranty does not extend to parts or components affected or damaged by accident, normal wear, misuse, neglect or faulty installation.

To register a warranty claim contact:

Companion Brands

Phone: 1300 555 197

Fax: 1300 555 198

E-mail: enquires@companionbrands.com.au

NOTES

Lined writing area consisting of multiple horizontal dashed lines.

JAMEC PEM

COUPLE UP WITH THE RIGHT CONNECTION



Distributed by
Companion Brands
Bundoora VIC 3083
www.companionbrands.com.au

JAM3702

jamecpem.com.au