

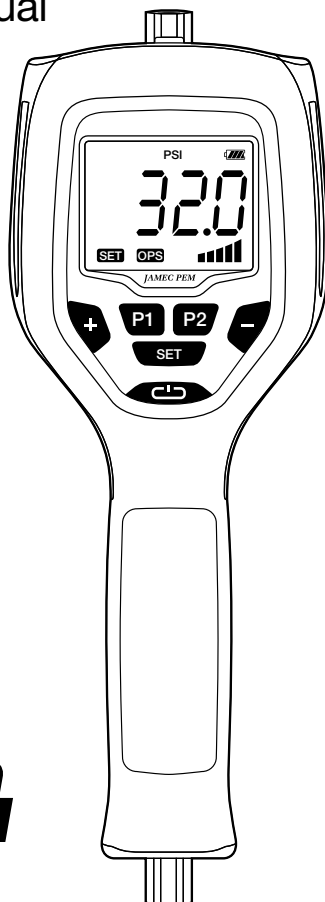
JAMEC PEM

COUPLE UP WITH THE RIGHT CONNECTION

AUTO1000

AUTOMATIC TYRE INFLATOR

Instruction Manual



**FULLY PORTABLE
& RECHARGEABLE**

LITHIUM-ION

Part No. 11.0612

AUTO1000 Automatic Tyre Inflator

Thank you for selecting our AUTO1000 Automatic Tyre Inflator, please read this manual carefully before using.

This manual is an important part of this product and should be stored safely for future reference. It should be made available for new operators and maintenance personnel.

We reserve the right to change product features at any time.

IMPORTANT

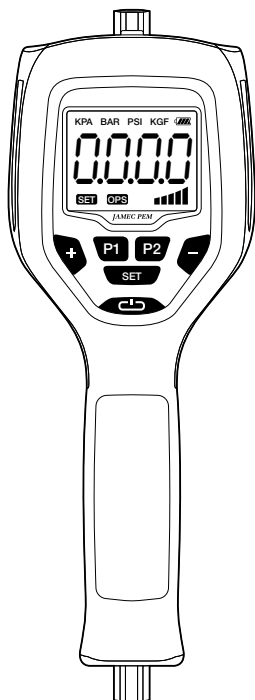
This tyre inflator must only be connected to airline systems which have clean dry air. Any moisture in the airline system may cause damage to the operation of this tyre inflator and void warranty.

Table of Contents

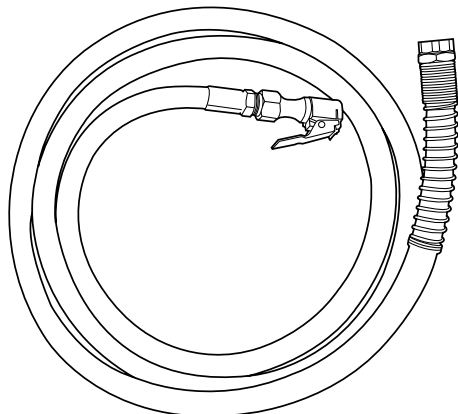
Components List.....	4
Features.....	5
Introduction.....	5
Control Panel.....	5-6
Function and Operation.....	6-7
Troubleshooting.....	8
Maintenance.....	9
Specifications.....	10
Calibration Certificate.....	11

Components List

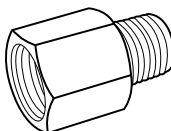
- Inflator



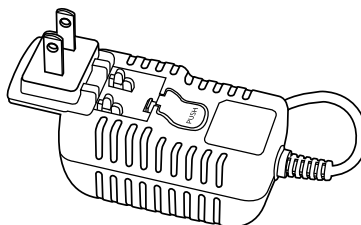
- Hose 1.5 m



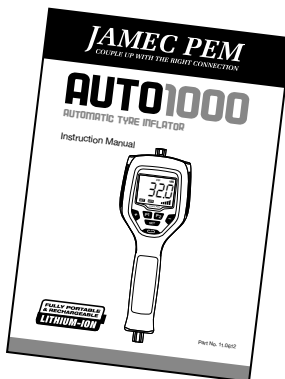
- 1/4 " BSP to 1/4 " NPT adaptor



- Hot shoes* and charger
AU, UK, EURO, USA



- Instruction manual



* illustrative purposes only



Features

- Auto-off after 90 seconds
- Max. pressure 174 psi
- Ideal for cars, trucks, bikes etc
- Large easy to read LCD display with audible warning
- Rechargeable Lithium-ion battery
- Tough ABS case
- Individually calibrated and tested (see calibration certificate pg 11)

Introduction

Through the manual the following symbols will be used, this information is for your safety and to prevent damage to this product.

WARNING

The hazard or unsafe practice could result in minor injury

WARNING

The hazard or unsafe practice could result in severe injury or death

Control Panel



Button Function

P1: Programmable button (Initial value 15 psi /1 bar)

P2: Programmable button (Initial value 30 psi /2.1 bar)

ON/OFF/LIGHT: Power on/ Power off/Light

(+): Increase target pressure, unit change, manual inflation

(-): Reduce target pressure, unit change

(SET): Function Select: Unit change/ OPS set/Manual inflation

LCD Display



1. Unit display
2. Pressure display
3. Function select display
4. Working indicator

Function and Operation

This device includes the OPS (Over Pressure Setting) function used to inflate and seat tyres on the rim.

Operation

1. Unit select

The device has four different scales that can be chosen by the user which is kpa /psi /bar /kgf.

Setting the unit here will be the default unit for all future inflation, until changed.

- 1.1. Press (SET), (SET) will be shown on the LCD screen, and the unit will be flashing.
- 1.2. Press (+) or (-) to choose the unit.
- 1.3. Press (SET) to confirm.

2. Set OPS (Over Pressure Setting)

- 2.1. Press (SET) twice, (SET) and (OPS) will be shown on the LCD screen, (OPS) will be flashing.
- 2.2. Press (+) or (-) to choose the OPS value.
- 2.3. Press (SET) to confirm. If OPS value is not zero, (OPS) will be displayed on the LCD screen.

3. Manual inflation

If tyre pressure is lower than 3 psi or 0.2 bar, the device will not start automatically.

- 3.1. Press (SET) three times, the current pressure will be shown on the LCD screen.
- 3.2. Press (+) to start manually.

4. Set programmable buttons

(P1) initial value is 15 psi /1 bar, (P2) initial value is 30 psi /2.1 bar. The preset pressure value can be reset by the user, setting it here will save it for following usage. But it reverts to the initial value after a unit set change.

1. Press (P1) or (P2), (P1) preset value or (P2) preset value will be shown on the LCD screen.
2. Press (+) or (-) to choose preset pressure value.
3. Press (SET) to confirm.

5. Inflation and Deflation

1. Press (P1) or (P2) to select default preset pressure.
2. Press (+) or (-) to adjust target pressure.
3. Connect with tyre, ensure no air leaks, inflator will start automatically.
4. When inflation is finished, the device will stop automatically and BEEP to remind the user.
5. Disconnect the air hose from tyre.

6. Power on/Power off/Backlight

When battery indicator is flashing on the LCD screen please recharge the battery.

Press (ON/OFF/LIGHT) two seconds to turn on.

Press (ON/OFF/LIGHT) to turn on backlight when the device is on.

Press (ON/OFF/LIGHT) for three seconds to turn off.

Notes:

1. Press (SET) to enter the function setting mode. After selecting the unit, press (SET) again to enter the (OPS) setting.
2. Press (SET) four times and the device will exit out of the setting mode without saving any selection.
3. When OPS function is selected the device will inflate to target pressure plus the OPS value first, then deflate to tyre pressure desired, for example: A final target of 32 psi or 2.2 bar with an OPS setting of 16 psi or 1.1 bar gives a sum of 48 psi or 3.3 bar. This sum of 48 psi or 3.3 bar is the Over Pressure Setting for tyre. The tyre will inflate to the sum value and deflate to the final target pressure.

4. During inflation, the device will check tyre pressure automatically, the working indicator will be on, left to right means inflating, right to left means deflating.

WARNING

To avoid the risk of personal injury, especially to the eyes, face or skin. **DO NOT** direct the air stream at any person

WARNING

This equipment is not intended for use by children without adult supervision

WARNING

When using the OPS function the sum pressure must not exceed the tyre manufacturer's maximum inflation pressure.

Troubleshooting

PROBLEM	POSSIBLE CAUSE	SOLUTION
Air leak	Leak in the connection	Check the connection
The inflator works, but no air is flowing	Obstruction in filters or in air system	Clean the filters and check the air source
No display	Flat battery	Recharge battery
Inflation does not start, although the pressure is set and the hose is connected with tyre	Air hose improperly connected	Check the hose connection, make sure that no air leaks
	Tyre pressure is below 0.2 bar (3 psi)	Manual inflation
Err1	Pressure sensor broken	Power off, change pressure sensor
Err2	Unstable pressure, faulty hose connector	Replace hose connector or re-connect hose to the tyre
Err3	Connected tyre pressure is too high 12.5 bar (180 psi)	Stop inflating this tyre
Err4	Wrong connections at air inlet and outlet	Refer to wiring diagram and connect magnetic valve accordingly
Err5	Battery low	Please recharge the battery
Err8	Air supply lower than set inflate pressure	Stop inflating this tyre

Maintenance

The device does not require particular maintenance, routine check of the air connections is suggested.

In the event that maintenance is required it should be carried out by qualified personnel.

Warranty Note

- This unit must be used with clean dry air. Therefore an air filter and or water trap must be used with this unit to ensure its continued reliability.
- Moist air entering this unit will affect the pressure sensors and may cause the electronics to fail.
- Please ensure only airline systems with clean dry air are connected to this tyre inflator.
- Product warranty will be void if moisture enters the tyre inflator.

Specifications

- **Scale**
0.5-12 bar /1200 kpa
174 psi /12 kgf
- **Accuracy**
± 2 psi @ 25-75 psi
- **Max Inlet Air Supply**
12.5 bar (180 psi)
- **Supply Voltage**
DC 12V rechargeable battery (Li-ION)
- **Charger Voltage**
AC 110~240 V (50~60Hz)
- **Watt**
12W Max.
- **Working Temperature**
-10~50°C (14~122°F)
- **Auto Off**
90 seconds
- **Hose Length**
1.5 m
- **Inlet Size**
1/4" BSP
- **Chuck Type**
Clip on
- **Chuck Style**
Single straight
- **Reader Unit**
Digital display with audible warning
- **Dimensions**
380 x 125 x 135 mm
- **Weight**
2 kg
- **Operation**
Auto inflate/deflate
- **Inflation Flow**
2500 l/m @ 145 psi
- **Work Time Hrs**
10-15 hrs (from fully charged
continual use)

Calibration Certificate

This Digital Automatic Tyre Inflator has been calibrated in its normal working position on test equipment with an accuracy that is traceable to International Standards according to: 86/217/EEC.

ALLOWABLE TOLERANCE		
BAR	±0.08	up to and including 4 bar
	±0.16	between 4 bar and 10 bar inclusive
	±0.25	greater than 10 bar
PSI	±1.2	up to and including 58 psi
	±2.3	between 58 and 145 psi inclusive
	±3.6	greater than 145 psi

TEST RESULT				
REFERENCE PRESSURE				
<input type="checkbox"/> BAR	<input type="checkbox"/> PSI			
DISPLAY PRESSURE				
<input type="checkbox"/> BAR	<input type="checkbox"/> PSI			

Serial Number: _____

Date: _____

JAMEC PEM

COUPLE UP WITH THE RIGHT CONNECTION



Distributed by
Companion Brands
Bundoora VIC 3083
www.companionbrands.com.au