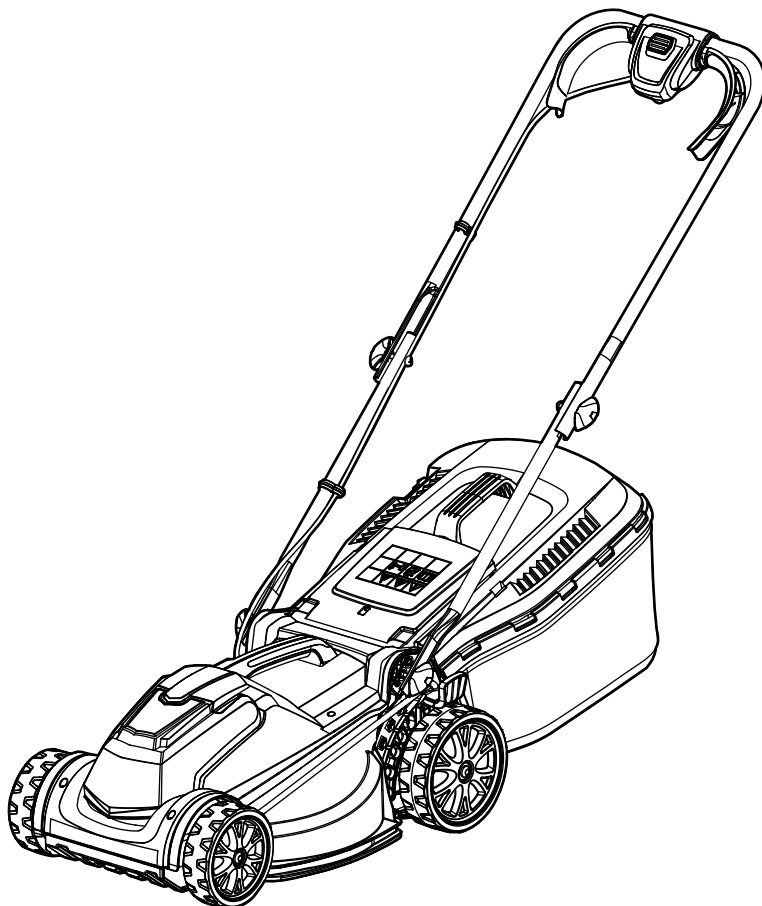


# LawnMaster<sup>®</sup>

## Instruction Manual

34cm 24V Lithium-Ion Cordless Mower CLMF2434G



Original Instructions

---



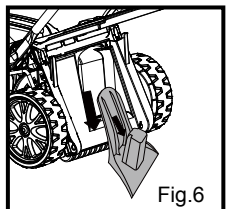
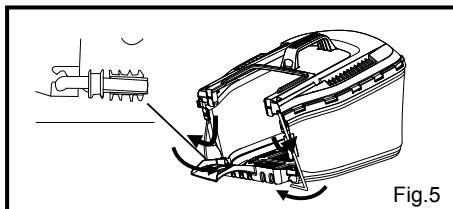
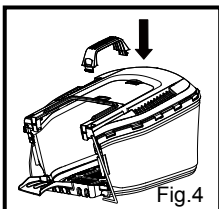
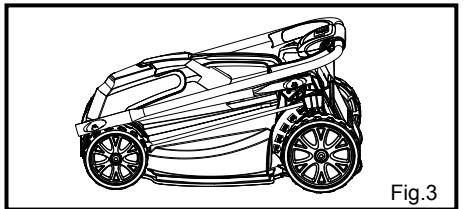
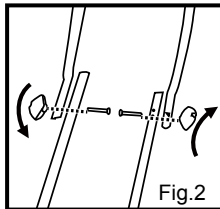
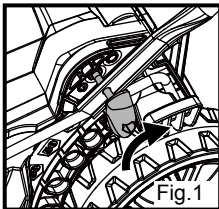
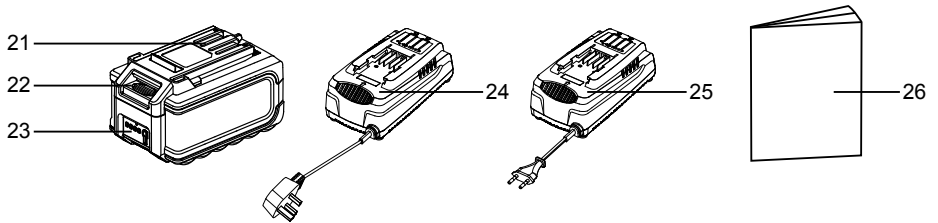
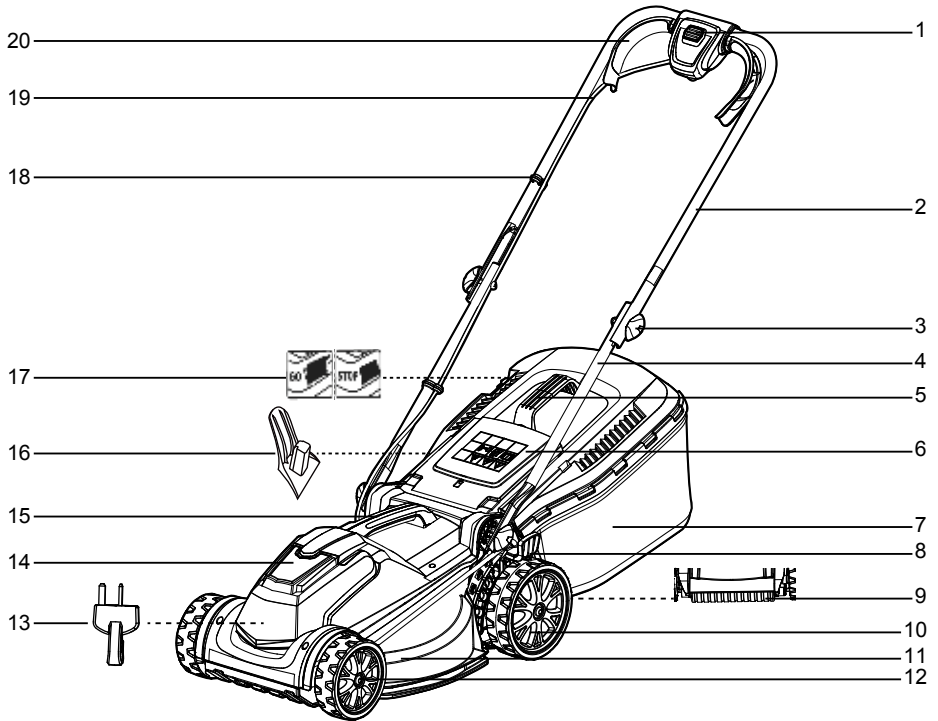
**WARNING:** Read all safety instructions carefully before assembling and operating this machine. Ensure the machine has been assembled correctly and safely. Keep the instructions safe and pass them on to any subsequent user so that the information is always available.



UK  
CA























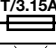




# TABLE OF CONTENTS

---

<b>Section</b>	<b>Page</b>
Symbols	6-7
Safety Information	8-17
In the Box	17
Assembly	18-20
Operation	21-25
Maintenance	26-28
Troubleshooting	29-30
Technical data	31
Recycling and Disposal	32



# SYMBOLS

The following warning symbols appear throughout this manual and indicate the appropriate safety measures you should take when operating and maintaining the appliance.

SYMBOL	DESIGNATION/EXPLANATION
	Caution
	Read instruction manual.
	Keep bystanders away.
	Beware of sharp blades. Blades may continue to rotate after the motor is switched off. Beware of injury to toes or fingers.
	Switch off and remove the isolator key before adjusting, cleaning or before leaving the product unattended for any period.
	Wear eye and ear protection.
	Do not expose to rain.
	Wait until all moving parts have stopped completely before touching them. The blade may continue to rotate after the machine is switched off, a rotating blade can cause injury.
	WARNING! Beware of electric shocks.
	Cutting circle
	Protection class II (Double insulation)
	Only recharge battery packs with the supplied charger indoors.
	Fuse
	Electrical appliances must not be disposed of with the domestic waste.
	Batteries contain Lithium-ion. Do not dispose of batteries in household waste.
	Do not dispose of battery packs in rivers or immerse in water.
	Do not dispose of battery packs in fire.

# SYMBOLS

---

SYMBOL	DESIGNATION/EXPLANATION
	Do not subject the battery to direct sunlight over long periods and do not leave it on or near a heat source (max. 60°C).
	Recycle electrical waste products in an environmentally safe way where facilities exist.



## WARNING

To avoid serious personal injury, do not attempt to use this product until you read thoroughly and understand completely the instruction manual.

If you do not understand the warnings and instructions in the instruction manual, do not use this product.

---

## **SAFETY INFORMATION**

---



### **IMPORTANT**

When using equipment, the following safety precautions must be followed to avoid injuries and damage:

---

- Read all operating instructions carefully and comply with them. It is important to understand these instructions and to acquaint yourself with the machine, its correct usage and all safety requirements.
- Keep this manual in a safe place so that the information is available to the operator at all times.
- If you give the equipment to any other person, give them these operating instructions as well.
- We accept no liability for damage or accidents which result from non-compliance with these instructions.

The device must not be used by people (including children) with limited physical, sensory or mental capabilities or who lack the necessary experience and/or knowledge - other than they are supervised by a person responsible for safety or are being instructed to operate the appliance by such a person. Children should be supervised to ensure that they do not play with the appliance.

- Read the instructions carefully. Be familiar with the controls and the correct use of the lawn mower.
  - Never allow children or people unfamiliar with these instructions to use the mower. Local regulations may restrict the age of the operator.
  - When not in use, store the mower out of reach of children
-

## SAFETY INFORMATION

---

and remove the battery pack and isolator key.

- Never operate the machine while people, especially children, or pets are nearby.
- Use extreme care when approaching blind corners, doorways, shrubs, trees, or other objects that may obscure your view of a child or animal that may run into the path of the mower.
- Keep in mind that the operator or user is responsible for accidents or hazards occurring to other people or their property.
- While operating the mower always wear substantial footwear and long trousers. Do not operate the mower when barefoot or wearing open toed sandals. Avoid wearing clothing that is loose fitting or that has hanging cords or ties.
- Thoroughly inspect the area where the mower is to be used. Remove all stones, sticks, and other objects that could be tripped over or thrown by the blade. Thrown objects can cause serious personal injury.
- Before using, always visually inspect to see that the blade, blade bolt and the blade assembly are not worn or damaged. Replace worn or damaged components in sets to preserve balance. Replace damaged or unreadable labels.
- Operate the mower only in daylight or in good artificial light.
- Do not use the lawn mower in damp or wet conditions or operate in the rain.
- Working on sloping areas can be dangerous. Do not mow on excessively steep slopes. Always be sure of your footing on slopes or wet grass.

## **SAFETY INFORMATION**

---

- Walk, never run.
- Mow across the face of slopes, never up and down.
- Exercise extreme caution when changing direction on slopes.
- Use extreme caution when reversing or pulling the mower towards you.
- Stay Alert: Do not operate the mower when you are tired. Pay attention to what you are doing.
- Do not operate the mower while under the influence of alcohol or drugs.
- Stop the blade(s) if the machine has to be tilted for transportation when crossing surfaces other than grass, and when transporting the machine to and from areas to be mowed.
- Never operate the mower with defective guards or shields, or without safety devices, for example deflectors and/or grass collector, in place.
- Switch on the motor carefully according to instructions and with feet well away from the blade(s).
- Do not tilt the machine when starting or switching the motor on, except if the machine must be tilted for starting in long grass. In this case, do not tilt it more than absolutely necessary and tilt only the part which is furthest away from the operator. Always ensure that both hands are in the operating position on the handle before returning the machine to the ground.
- Do not start the mower when standing in front of the discharge opening.
- Do not put hands or feet near or under rotating parts. Keep clear of the discharge opening at all times.

## SAFETY INFORMATION

---

- Never pick up or carry the machine while the motor is running.
- Do not carry the machine with your finger on the switch.
- Do not overreach. Keep proper footing and balance at all times.
- Do not use a machine if the switch does not turn it on and off. Any machine that cannot be controlled with the switch is dangerous and must be repaired.
- In case any of the following situations occur, stop the mower and remove the battery pack and isolator key. Make sure that all moving parts have come to a complete stop:
  - Whenever you leave the mower,
  - Before clearing blockages or unclogging discharge chute,
  - Before checking, cleaning or working on the mower,
  - After striking a foreign object. Inspect the mower for damage and make repairs before restarting and operating the mower.
- If the mower starts to vibrate abnormally (check immediately)
  - Inspect for damage,
  - Replace or repair any damaged parts,
  - Check for and tighten any loose parts.
- In order to avoid contact with the blade or injury caused by a thrown object, ensure you maintain a safe operating distance, and keep children and bystanders at least 15m away from the mower while it is in operation. Stop the motor immediately if someone enters the mowing area.
- Always wear proper eye protection in order to protect your eyes while operating or performing any adjustment or repair. Thrown objects that ricochet can cause serious eye

## SAFETY INFORMATION

---

injury.

- Do not hold on to the mower if you are falling. Release the handle immediately.
- Do not use the mower for any job except that for which it is intended. Do not force the mower.
- Do not attempt to adjust the wheels or the cutting height while the motor is running.
- Avoid dangerous environments. Do not operate the mower in the rain or in enclosed or poorly-ventilated environments, or if there are flammable or explosive fluids, vapours or gases nearby.
- Stop the blade when crossing gravel driveways, walkways, or roads.
- Keep all nuts, bolts and screws tight to be sure that the mower is in a safe condition for use.
- Check the grass collector frequently for wear or deterioration.
- Be careful during adjustment of the mower to prevent entrapment of the fingers between moving blades and fixed parts of the machine.
- Always allow the mower to cool down before storing.
- Stop the mower, remove the safety key and battery, and wait until the blade comes to a complete stop before removing the collection bag or carrying out maintenance. The cutting blade will continue to rotate for a few seconds after the motor is shut off. Do not place any part of your body in the blade area until you are sure that the blade has stopped rotating.
- Never operate mower without correct safety devices in place and in working order. Do not operate the mower with



## SAFETY INFORMATION

---

damaged safety devices. Doing so can result in injury.

- Ensure that the isolator key is not installed when the mower is not in use. This prevents accidental starting of the machine.
- Replace worn or damaged parts for safety. Use only genuine replacement parts and accessories.
- Always be alert when using the machine, so that you can recognise and handle risks early. Fast intervention can prevent serious injury and damage to property.
- Switch off and remove the battery and isolator key if there is any malfunction. If necessary have the machine checked by a qualified specialist and repaired before you operate it again.
- **WARNING!** Even if you are operating the machine in accordance with all safety requirements, potential risks of injury and damage remain. The following dangers can arise in connection with the structure and design of this machine:
  - Health defects resulting from vibration emission if the machine is being used over long periods of time or not adequately managed and properly maintained.
  - Injuries and damage to property due to broken application tools or sudden impact of hidden objects during use.
- **WARNING!** This machine produces an electromagnetic field during operation! This field may under some circumstances interfere with active or passive medical implants! To reduce the risk of serious or fatal injury, we recommend persons with medical implants to consult their doctor and medical implant manufacturer before operating this product!
- Store the mower, the charger and the battery at a

## **SAFETY INFORMATION**

---

temperature between 0°C and 25°C.

### **Battery Safety Information**

- Recharge only with the charger specified by the manufacturer. A charger that is suitable for one type of battery pack may create a risk of fire when used with another battery pack. Incorrect use may result in electric shock, overheating or leakage of corrosive liquid from the battery.
- Do not place appliances or their batteries near fire or heat sources. Continuous intense sunlight, fire or other heat sources may cause an increased danger of explosion.
- Do not crush, drop or damage the battery pack. Do not use a battery pack or charger that has been dropped or received a sharp blow. A damaged battery is subject to explosion. Properly dispose of a dropped or damaged battery immediately.
- Batteries can explode in the presence of a source of ignition, such as a pilot light.
- To reduce the risk of serious personal injury, never use any cordless product in the presence of an open flame. An exploded battery can propel debris and chemicals. If exposed, flush with water immediately.
- Do not charge battery in a damp or wet location. Following this rule will reduce the risk of electric shock.
- For best results, your battery tool should be charged in a location where the temperature is more than 4°C but less than 40°C.
- Under extreme usage or temperature conditions, battery leakage may occur. If liquid comes in contact with your

## **SAFETY INFORMATION**

---

skin, wash immediately with soap and water. If liquid gets into your eyes, flush them with clean water for at least 10 minutes, then seek immediate medical attention.

- When the battery pack is not in use, keep it away from other metal objects like: paper clips, coins, keys, nails, screws, or other small metal objects that can make a connection from one terminal to another. Shorting the battery terminals together may cause sparks, burns, or a fire.
- Do not open up the battery and avoid mechanical damage to the battery. Risk of short circuit and fumes may be emitted. Ensure fresh air and seek medical assistance in the event of discomfort.
- Always remove battery pack before storing the device. When battery becomes fully charged, unplug the charger from the power supply and remove the battery pack from the charger.
- Keep battery pack dry, clean, and free from oil and grease. Always use a dry cloth when cleaning. Never use brake fluids, gasoline, petroleum-based products, or any solvents to clean battery pack.

### **Charger Safety Information**

- Ensure the battery pack is charged indoors only, in a dry, cool and well-ventilated environment.
- Do not use non-rechargeable batteries!
- Do not operate the charger with a damaged cord or plug, which could cause shorting and electric shock. If damaged, immediately discontinue use. Replace the charger with the identical unit as listed in the Product Specifications in this

## **SAFETY INFORMATION**

---

manual. If the power cord for this equipment is damaged, it must be replaced by the manufacturer, a customer service agent of the same or a fully qualified person in order to prevent hazards.

- The plug of the charger must match the outlet. Never modify the plug in any way. Unmodified plugs and matching outlets will reduce the risk of electric shock.
- Allow a hot battery to cool before charging.
- Before each use, check the charger, cable and plug. Do not use a defective charger and do not disassemble the charger. Incorrect reassembly may result in the risk of fire, electric shock or electrocution.
- Protect the charger against moisture and wet conditions. There is a danger of electric shock.
- Operate the charger only with the appropriate original batteries. Charging other batteries may result in injuries and risk of fire.
- Keep the cord away from heat, oil, sharp edges or moving parts. Damaged or entangled cords increase the risk of electric shock.
- Do not use a charger that has been dropped or received a sharp blow.
- The voltage indicated on the charger rating plate must correspond to the voltage of the power source.
- Never touch the mains plug with wet hands.

### **Intended Use**

This lawnmower is designed for domestic use only:

- This cordless lawnmower is intended for mowing lawns in domestic and hobby gardens.

## SAFETY INFORMATION

---

- This product is not to be used in wet weather conditions and may not be used to mow wet or unusually high grass.
- This product is intended for private domestic use only, not for any commercial trade use. It must not be used for any purposes other than those described. Any use of the machine that deviates from its intended use will invalidate the warranty.

## IN THE BOX

---

- |   |   |
|---|---|
| 1. Safety Switch Button                       | 15. Carry Handle  |
| 2. Upper Handle                               | 16. Mulching Plug   |
| 3. Wing Knob (x4)                             | 17. Grass Collection Full Indicator                                       |
| 4. Lower Handle (x2)                          | 18. Cable Clip (x2)   |
| 5. Grass Collection Bag Handle                | 19. Power Cord  |
| 6. Deflector Guard                            | 20. Start/Stop Switch Lever   |
| 7. Grass Collection Bag                       | 21. Battery Pack (x2)   |
| 8. Cutting Height Adjustment Lever            | 22. Battery Release Button  |
| 9. Rear Roller (included in UK products only) | 23. Battery Power Indicator   |
| 10. Rear Wheel                                | 24. Battery Charger with BS plug (included in UK products only)           |
| 11. Deck                                      | 25. Battery Charger with VDE plug (included in mainland EU products only) |
| 12. Front Wheel                               | 26. Instruction Manual  |
| 13. Isolator Key                              |   |
| 14. Battery Compartment Cover                 |   |

# ASSEMBLY

---

## Assembly Preparation

- Carefully remove all contents from the product packaging.
  - Ensure you have all the accessories and tool(s) needed for assembly and operation. This also includes suitable personal protective equipment.
- 

## WARNING

If any parts are damaged or missing do not operate this product until the parts are replaced. Failure to pay attention to this warning could result in serious personal injury.

## WARNING

Do not attempt to modify this product or create accessories not recommended for use with this product. Any such alteration or modification is misuse and could result in a hazardous condition leading to possible serious personal injury.

## WARNING

Do not connect the battery and/or the isolator key before the product is completely assembled. Failure to comply could result in accidental starting and possible serious personal injury.

## WARNING

Never operate the mower without the proper safety devices in place and in working order. Never operate the mower with damaged safety devices. Failure to pay attention to this warning can result in serious personal injury. Make sure all packing is removed from product parts before starting assembly.

---

## Assembling the Lower Handle (See Fig. 1)

- Unfold the lower handle. Place the lower handles into the slots in the deck.
- Rotate the 2 wing knobs clockwise to lock each lower handle into position (Fig. 1).

## Assembling the Upper Handle (See Figs. 2-3)

- Fit the upper handle and lower handle together with the wing knobs on both sides of the handle assembly. Ensure the bolt and wing knob are assembled in the correct method. Failure to assemble the wing knob correctly can result in damage to the product (Fig. 2).
  - There are two possible height positions. Choose the one most suitable to the operator's height.
  - Secure the cable against the handle frame with the supplied cable clips.
  - When the two wing knobs are loosened, the handle can be folded for easy storage. Ensure the power cable is not caught between the folding sections (Fig. 3).
-

# ASSEMBLY

---

## Assembling the Grass Collection Bag (See Figs. 4-5)

Your mower comes with a tool free grass collection bag.

- Check the collection bag before assembling to make sure there is no damage.
- Insert the handle in the slots on the upper cover of grass collection bag. Ensure this securely 'clicks' into place (Fig. 4).
- Secure the metal support rods into the fixing position on either side of the grass collection base (Fig. 5). Ensure the side clamping sleeves are properly fixed onto the metal support frame.

## Attaching/Removing the Grass Collection Bag (See Figs. 6-7)

**NOTE:** When using the grass collection bag, do not install the mulching plug. The mulching plug **MUST** be removed prior to installing the collection bag.

**NOTE:** The deflector guard is spring operated. Ensure you have a firm grip when opening and closing to avoid personal injury.

- Lift the deflector guard all the way up with one hand.
- Ensure the mulching plug is removed from the lawnmower before fitting the grass collection bag (Fig. 6).
- Lift the grass collection bag by its handle. Attach the grass collection bag onto the mounting brackets provided at the back of the lawnmower. Align the bottom of the grass collection bag first ensuring the collection tongue is located fully within the discharge chute of the lawnmower (Fig. 7).
- Lower the deflector guard onto the grass collection bag.
- To remove the grass collection bag, lift the deflector guard and unhook the grass collection bag from the mounting brackets. Carefully lower the deflector guard back down.

**NOTE:** Under normal usage, bag material is subject to wear. To reduce the risk of injury, frequently inspect the bag assembly and replace if there are any signs of wear or deterioration.

## Grass Collection Full Indicator (See Figs. 8-9)

The grass collection full indicator is a small orange flap located on the side of the grass collection box.

- If the grass collection box is empty or it is not full with grass, the grass full indicator flap will remain open (Fig. 8).
- When this flap remains closed it means that the grass collection box is full and needs to be emptied (Fig. 9).

## Attaching/Removing the Mulching Plug (See Figs. 10-11)

---



# WARNING

Do not at any time make any adjustment to the lawnmower without first stopping the motor and removing the isolator key and battery.

---

---

# ASSEMBLY

---

**NOTE:** The mulching plug **MUST** be removed if collection bag is used during mowing operation.

This mulching plug prevents grass from being collected by blocking the collection chute. This allows the grass clippings to be deposited back on the lawn during cutting. This finely cut grass acts as a nutrient for the lawn.

### To install the mulching plug:

- Lift the deflector guard and detach the grass collection bag.
- Lift and hold the deflector guard up with one hand.
- With other hand grasp the mulching plug by its upright handle and insert the plug into the rear discharge chute. Ensure that the locking latch snaps into place (Fig. 10 & 11).
- Release the deflector guard back into position during operation.

### To remove the mulching plug:

- Lift and hold the deflector guard up with one hand.
- With other hand squeeze the mulching plug's upright handle to release the locking latch. Pull the mulching plug up and out of the discharge chute.

## Installing and Removing the Battery Pack (See Fig. 12)

---

### **WARNING**

If any parts are broken or missing, do not attempt to attach the battery pack to the mower or operate the mower until the broken or missing parts are replaced. Failure to do so could result in serious injury. Do not connect the battery and/or the isolator key before the product is completely assembled. Ensure the isolator key is not fitted before you install the battery.

---

### To install the battery pack:

- Lift the battery compartment cover on the lawnmower deck.
- Align the support rails located within the battery compartment with the guides in the battery pack, and then insert the battery pack into the compartment.
- Push the battery pack until you hear a “click”.
- Insert the isolator key into the keyholes located within the battery compartment.
- Close the battery compartment cover.

**NOTE:** Make sure that battery pack firmly snaps into place and is secured to the mower before starting operation.

### To remove the battery pack:

- Stop the machine. Lift the battery compartment cover and remove the isolator key.
- Press the release button on the battery pack, grasp the battery pack firmly and pull out of the battery compartment (Fig. 12).
- Close the battery compartment cover.



## OPERATION

---



### WARNING

Do not allow familiarity with this type of product to make you careless. Always pay attention when operating this product, not doing so can result in serious injury.



### WARNING

Always wear safety goggles or safety glasses with side shields when operating this product. Failure to do so could result in objects being thrown into your eyes, resulting in possible serious injury.



### WARNING

Do not operate the appliance until the deflector guard and grass collection bag are fully installed.

---

### Setting the Cutting Height (See Fig. 13)

---



### WARNING

Switch off the equipment, disconnect the plug from the power supply and wait for the blade to come to a complete stop before adjusting the cutting height. A rotating blade can cause injury.



### WARNING

Do not at any time make any adjustment to the lawn mower without first stopping the motor and removing the isolator key. Keep your feet away from the deck when adjusting its height.

---

Before using the mower for the first time, adjust the cutting position to the height best suited for your lawn.

The mower can be set to 6 cutting heights between 20mm and 70mm. Choose the appropriate cutting height according to the types and conditions of the grass.

CUTTING POSITION	CUTTING HEIGHT
1	20mm
2	30mm
3	40mm
4	50mm
5	60mm
6	70mm

# OPERATION

---

## To set the cutting height:

- To raise the cutting height, grasp the cutting height adjustment lever, disengage the lever from its current setting, and then move it towards the front of the mower and engage the lever in the desired cutting height position.
- To lower the cutting height, grasp the cutting height adjustment lever, disengage the lever from its current setting, and then move it towards the back of the mower and engage the lever in the desired cutting height position (Fig. 13).
  - For the first cut each season, a higher cutting setting should be selected. Using a cutting height that is too low in longer grass will use more power and reduce battery run time. It is recommended to cut longer grass in 2 passes or more. This method will also cause less stress to your grass for a healthier lawn.
  - Before you begin to mow, check to ensure that the blade is not blunt and that none of the fasteners are damaged. To prevent any imbalance, replace blunt and/or damaged blades. To carry out this check, first switch off the motor and remove the battery and isolator key.

## Battery Pack Operation

### ■ Battery Charging

---



## WARNING

Use only with 24V Lawnmaster® 24LFC12 battery charger.

---

The battery charger supplied is specifically designed for the lithium-ion battery used in this garden appliance and may cause risk of fire if used with a non-compatible battery pack.

Check the power voltage! Battery chargers operate on 220-240V AC.

Ensure the battery is charged between 4°C and 40°C. This ensures an optimum battery service life.

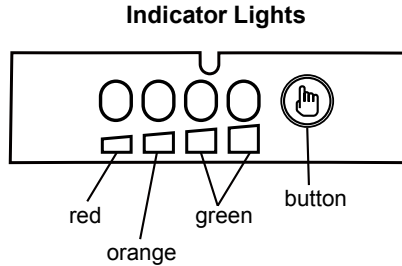
Protect the battery from heat, from continuous exposure to sun and keep away from radiation or other heat sources. Do not leave the battery in the mower in direct sunlight over long periods.

The battery is supplied partially charged. To ensure full capacity of the battery, charge the battery before using your appliance for the first time. The lithium-ion battery can be charged at any time without reducing its service life. Interrupting the charging procedure does not affect the battery.

### ■ Battery LED Indicators

The battery is equipped with a charge-level indicator panel which indicates its charge condition. This charge-level indicator panel consists of 4 LEDs on the battery. Press and hold the charge indicator button on the battery to actuate the charge level indicator. The charge level indicator LEDs go out after releasing the button. The battery charge level can be checked either when the battery is fitted on the machine or removed from the machine.

# OPERATION



LED Indicators on Battery(Continuous lighting)	Battery Capacity
4 LEDs (inc 2 green)	Fully charged
3 LEDs (inc 1 green)	≥ 50%
2 LEDs (orange & red)	≥25%
1 LED (red only)	< 25%. Recharge required

## Charger Operation (See Fig. 14)

### **WARNING**

Use only with 24V Lawnmaster® 24LB4005 battery.

If any part of the charger is missing or damaged, do not operate it! Replace the charger with a new one. Failure to pay attention to this warning could result in possible serious injury.




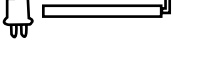



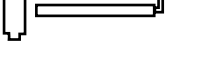
Check the voltage! The voltage must comply with the information on the rating label.

- Align the slot of the battery pack with the rail on the charger. Slide the battery onto the rail until the battery pack secures into place (Fig. 14).
- Connect the charger to the power supply.
- Allow sufficient charging time (see Technical Data), and then disconnect the charger from the power supply.
- Press the release button on the battery pack and remove it from the charger.

**NOTE:** It is normal for the battery pack and the charger to become warm (but not hot) during charging process. If the battery does not charge properly, check to make sure the electrical outlet is operational. Always charge the battery before storage!

## OPERATION

The indicator lights on the charger show the charging status:

Symbol	Indicator Lights	Status	
		Red, flashing	Charging paused, see instructions below.
		Red, continuous	Connected to power supply (Standby)
		Green, flashing	Charging
		Green, continuous	Fully charged

The intelligent charger measures the charge level of the battery pack and charges the battery accordingly with the required current and voltage, based on battery temperature and voltage, this ensures maximum battery life. Charge the battery fully before storage.

A flashing red LED light on the charger indicates that the battery temperature is not within the charging temperature range of 4°C - 40°C or the charging current is too high. As soon as the permitted temperature and the charging current ranges are reached, the battery charger will automatically switch to charging.

After continuous or repeated charging cycles without interruption, the charger may warm up. This is normal and does not indicate a technical defect of the battery charger.

### Starting/Stopping the Mower (See Figs. 15-17)



## WARNING

The blade may keep rotating for a few seconds after the device has been switched off. Do not touch the rotating blade. A rotating blade can cause injury.

- To switch on, insert the isolator key located within the battery compartment, press and hold the safety switch button and gently pull the start/stop switch lever towards the upper handle. Once started, release the safety button. (Fig. 15 - 17)
- To power off the mower, release the start/stop switch lever.
- Remove the isolator key if the mower is not going to be used immediately.

### General Operation

Check the product and accessories for damage before each use. Before use, please ensure all

# OPERATION

---

power connections are in good working order prior to installing the isolator key and battery. If damage is present or observed, please stop and have mower serviced before use. Do not use the product if it is damaged.

- Double check that the blade is properly installed.
- Always hold the product by its handles. Keep the handle dry to ensure safe support.
- Ensure that the air vents are always unobstructed and clear. Clean them if necessary with a soft brush. Blocked air vents may lead to overheating and damage the product.
- Switch the product off immediately if you are disturbed while working by other people entering the working area.
- Always let the product come to complete stop before removing the grass collection box.
- Do not overwork yourself. Take regular breaks to ensure you can concentrate on the work and have full control over the product.

## Mowing (See Figs. 18-19)

- Make sure the lawn is clear of stones, sticks, wires, and other objects that could damage the lawn mower blades or motor. Such objects could be accidentally thrown by the mower in any direction and cause serious personal injury to the operator and others.
- When cutting longer grass, cut the grass in two or more passes by lowering the cutting height gradually at each pass. Never cut the grass by more than half its height.
- When cutting dense grass, reduce walking speed to allow for more effective cutting and a proper collection of the clippings.
- Do not cut wet grass as it can stick to the lawn mower and prevent the proper discharge of grass clippings.
- Clean the underside of the mower deck after each use to remove grass clippings, leaves, dirt, and any other accumulated debris.
- Watch for holes, ruts, rocks, hidden objects, or bumps which can cause you to slip or trip. Tall grass can hide obstacles. Remove all objects such as rocks, tree limbs, etc., which could be tripped over or thrown by the blade.
- Always be sure of your footing. A slip and fall can cause serious personal injury. If you feel you are losing your balance, release the start/stop switch lever immediately.
- Slopes are a major factor related to slip and fall accidents that can result in severe injury. Mowing on slopes requires extra caution. If you feel uneasy on a slope, do not mow it. For your safety, do not attempt to mow slopes greater than 15 degrees.
- Do not mow near drop-offs, ditches, or embankments; you could lose your footing or balance.
- We recommend that you mow in overlapping lines for effective grass collection. This will keep the rows even and ensures that all the lawn is cut without missing any spots (Fig. 18).
- The rear roller leaves a stripe finish on the lawn and helps to prevent scalping on borders and edges (Fig. 19).

**NOTE:** Rear roller only included in UK products.

# MAINTENANCE

---



## WARNING

Always switch the product off, disconnect the battery pack and isolator key and let the product cool down before performing inspection, maintenance and cleaning work!



## WARNING

If a part becomes worn or damaged, use manufacturer recommended replacement parts. Use of any other parts may create a hazard or cause product damage.



## WARNING

Do not use any attachments or accessories not recommended by the manufacturer of this product. The use of attachments or accessories not recommended can result in serious personal injury.

---

### General Maintenance

- Keep all safety devices, air vents and the motor housing free of dirt and dust. Avoid using solvents when cleaning plastic parts. Most plastics are susceptible to damage from various types of commercial solvents and may be damaged by their use. Use clean, dry cloths to remove dirt, dust, oil, grease, etc.
  - Periodically check all nuts and bolts for proper tightness to ensure safe operation of the mower.
  - Remove any buildup of grass and leaves on or around the motor cover. Wipe the mower clean with a dry cloth occasionally. Do not use water.
- 



## WARNING

Always wear protective, heavy gloves and/or wrap the cutting edges of the blade with rags when performing blade maintenance. Failure to heed this warning could result in serious personal injury.



## WARNING

Before performing any maintenance, make sure the isolator key and the battery have been removed. Failure to heed this warning could result in serious personal injury.

---

### Replacing the Mower Blade (See Figs. 20-21)

**NOTE:** Remove the isolator key and battery before performing any maintenance!

**NOTE:** If the blade is blunt, damaged or showing signs of imbalance, it must be replaced. Use recommended replacement blades.

- Stop the motor and allow the blade to come to a complete stop.
  - With blade stopped, remove the ISOLATOR KEY and BATTERY from mower and store in a safe
-

# MAINTENANCE

---

location.

- Remove the grass collection bag from mower if attached.
- Slowly turn the mower onto its side.
- Wedge a block of wood between the blade and the mower deck, or use safety gloves to firmly hold the blade, in order to prevent the blade from turning when the blade nut is being removed.
- Loosen the blade nut using a wrench or socket (not provided).
- Remove the blade nut anticlockwise, and then remove the blade (Fig. 20).
- Place the new blade on the drive shaft. Make sure it is installed with the curved ends pointing up towards the mower deck and not down towards the ground. Ensure that the blade is positioned correctly (Fig. 21).
- Torque the blade nut down using a torque wrench (not provided) to 25 Nm to ensure the bolt is properly tightened.

**NOTE:** Make certain all parts are replaced in the exact order in which they were removed.

## Sharpening the Blade (See Fig. 22)

For best mowing performance, the mower blade must be kept sharp. A dull blade does not cut grass evenly and overloads the motor. If your lawn has sandy soil, more frequent sharpening may be required.

- Following the instructions in the “Replacing the Mower Blade” section to remove the mower blade. DO NOT attempt to sharpen the blade while it is attached to the mower.
- Using a fine-tooth file or sharpening stone, sharpen cutting edges on both ends of the blade, removing equal amounts of material from both ends (Fig. 22).



## WARNING

When removing, inspect the blade carefully. If the blade is bent or damaged, replace immediately with a new blade. Failure to replace a bent or damaged blade could cause an accident resulting in possible serious injury.

---

## Balancing the Blade (See Fig. 23)

When sharpening, care should be taken to keep the blade balanced. An unbalanced blade will cause excessive vibration when the mower is running. This vibration will eventually cause damage to the mower, especially the motor.

### To check the blade balance:

- Clamp a screwdriver horizontally in a vise as shown.

**NOTE:** If a vise is not available, a straight nail can also be used.

- Place the centre hole of blade on the screwdriver (or nail) (Fig. 23).
  - If blade is balanced, it will remain in a horizontal position. If either end of the blade drops downward, sharpen the heavy side until the blade is balanced.
-

# MAINTENANCE

---

## Storing the Mower (See Fig. 24)

The device features the following storage options to save space:

- Before storing your mower, remove the isolator key and the battery.
- Loosen the wing knobs on both sides of the handle bars.
- Fold the upper handle and lower handles assembly over the device housing. Make sure that the cables do not become trapped (Fig. 24).
- Store the mower indoors in a cool, dry location out of the reach of children.
- Allow the motor to cool before storing the equipment in a confined space.

## Battery and Charger Maintenance

- Keep the battery and charger clean and clear of debris. Do not allow foreign material into the recessed cavity or on the contacts. Wipe with a dry cloth. Do not use solvents, water, or place in wet conditions.
- Always unplug the charger when there is no battery pack in it.
- Check that the charger and battery contacts have not been shorted by debris or foreign material. Always store away from metal objects which could create a connection with the terminals.
- Always remove the battery when storing the mower and keep in a cool dry place out of direct sunlight.
- Store the battery only within a temperature range between 0°C and 25°C and do not subject or store the battery pack to direct sunlight.
- It is recommended to store the lithium-ion battery pack in a 30%-50% charged condition.
- It is recommended to fully charge the lithium-ion battery pack after every six months of storage.



# TROUBLESHOOTING



## WARNING

Only perform the steps described within these instructions! All further inspection, maintenance and repair work must be performed by a qualified specialist.

Gloves and appropriate protective clothing must be worn when performing these instructions.

Always turn off the machine and remove the battery pack and isolator key before making any adjustment.

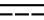
PROBLEM	POSSIBLE CAUSE	SOLUTION
Mower fails to operate.	Possible clogging.	Check underneath the mower and clear as necessary (always wear gardening gloves).
	The battery is not fully charged.	Charge the battery.
	The battery is not inserted (properly).	Ensure the battery is correctly inserted.
	The grass is too long.	Increase the height of cut and tilt garden product to reduce the starting load.
	The battery is too hot/cold.	Allow the battery to cool/warm to room temperature.
	The isolator key is not inserted correctly/fully.	Fit the key correctly.
	There is a short delay in the motor starting after engaging the switch lever.	This is normal. Hold the switch lever for 1-3 secs to start the motor.
Motor starts and stops Immediately.	The battery is not fully charged.	Charge the battery.
	The isolator key is not inserted correctly/fully.	Fit the key correctly.
	The battery is not inserted (properly).	Ensure the battery is correctly inserted.
	The battery is too hot/cold.	Allow the battery to cool/warm to room temperature.
Garden product functions intermittently.	Motor protector has activated.	Allow the motor to cool and increase the height of cut.
Lawnmower leaves ragged cut.	Height of cut is too low.	Increase the height of cut.
	Cutting blade is blunt.	Replace the blade.

# TROUBLESHOOTING


Mower does not mulch properly.	Wet grass clippings are sticking to the underside of the deck.	Wait until the grass dries before mowing.
	Missing mulching plug.	Install the mulching plug.
Poor cutting or motor labours.	Possible clogging.	Check underneath the mower and clear out as necessary (always wear gardening gloves).
	The blade is fitted upside down.	Refit the blade correctly.
Area of cut (battery duration) is not large enough.	Height of cut is too low.	Increase the height of cut and walk slower.
	The grass is too high.	Increase the height of cut and walk slower.
	The grass is wet or damp.	Wait until the grass is dry and walk slower.
	The grass is dense.	Increase the height of cut, walk slower and cut more frequently.
The cutting blade is not rotating while the garden product is switched on.	The cutting blade is obstructed.	Switch off the garden product and clear obstruction (always wear gardening gloves).
	The blade nut/bolt is loose.	Tighten the blade nut/bolt (25 Nm).
Excessive vibrations/noise.	The blade nut/bolt is loose.	Tighten the blade nut/bolt (25 Nm).
	Cutting blade is damaged.	Replace the blade.
No charging procedure possible.	The battery contacts are contaminated.	Clean the battery contacts (e.g. by inserting and removing the battery several times) or replace the battery.
	Socket outlet, fuse, mains cable or battery charger are defective.	Check the mains voltage and fuse, if necessary, contact aftersales helpline.
	The battery has a fault.	Replace the battery.
The charge control LEDs do not light up after inserting the mains plug into the socket.	Mains plug of the battery charger is not plugged in (properly).	Insert mains plug (fully) into the socket outlet.
	Socket outlet, mains cable or battery charger are defective.	Check the mains voltage and if necessary, contact aftersales helpline.

# TECHNICAL DATA

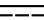
## 24V Cordless Mower CLMF2434G

Voltage	24V 
No Load Speed	3400/min
Cutting Width	34cm
Cutting Height Adjustment	20/30/40/50/60/70mm (6 Positions)
Grass Collection Box Capacity	32L
Functions	Mulch, Rear Bag
Wheel Size	140/170mm
Sound Pressure Level ( $L_{pA}$ )	80dB(A) K=3dB
Sound Power Level ( $L_{WA}$ ) Guaranteed	96dB(A)
Sound Power Level ( $L_{WA}$ ) Measured	88.21dB(A) K=1.66dB
Vibration ( $a_v$ )	$\leq 2.5m/s^2$ K=1.5m/s <sup>2</sup>
Weight (Without 4.0Ah Battery)	8.59kg

## CHARGER

Model No.	24LFC12
Charger Input	200-240V~50/60Hz 110W
Charger Output	24V  4.0A
Charging Period (Battery Fully Discharged)	60min (For 24LB4005)
Weight of Charger	0.5kg
Insulation Protection of Charger	<input type="checkbox"/>

## BATTERY

Model No.	24LB4005
Rated Voltage of Battery	24V 
Capacity of Battery	4.0Ah
Battery Type	Lithium-Ion
Weight of Battery	0.7kg

## RECYCLING AND DISPOSAL

---



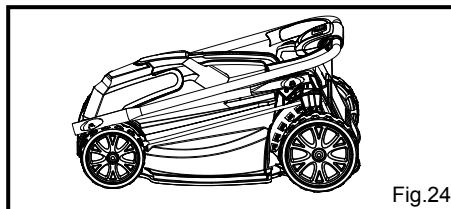
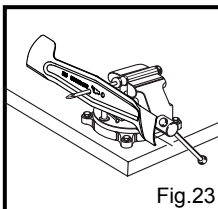
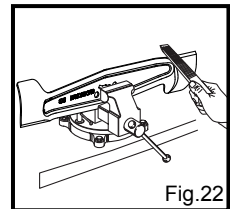
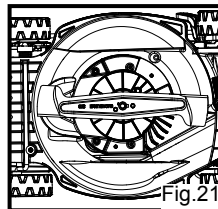
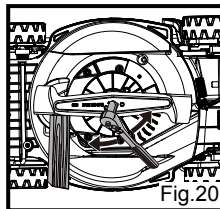
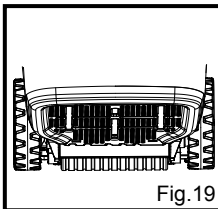
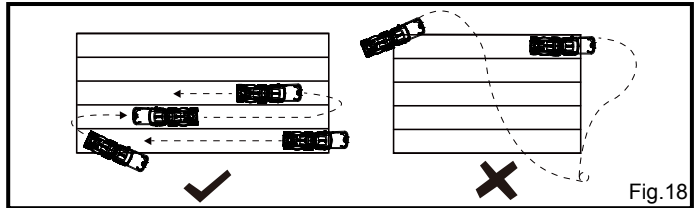
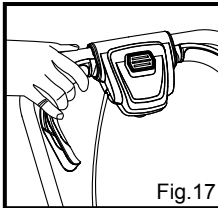
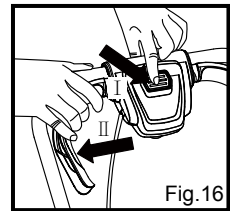
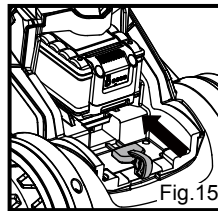
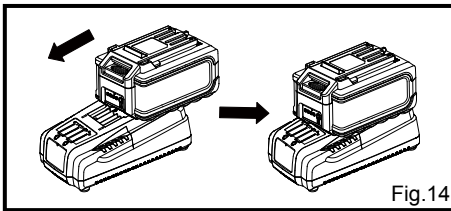
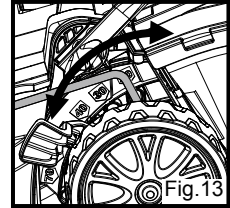
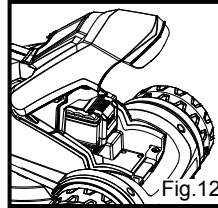
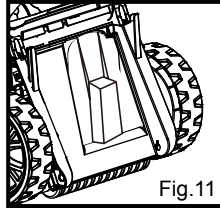
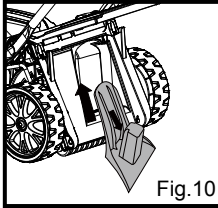
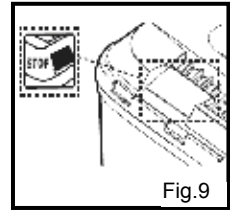
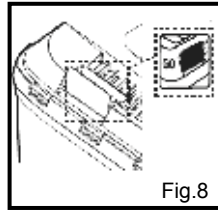
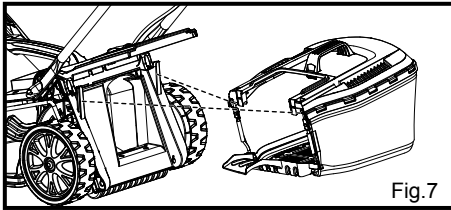
This marking indicates that this product should not be disposed with other household wastes throughout the EU. The machine must be delivered in rigid packaging to avoid damage during transportation. The packaging and the machine itself are manufactured from recyclable materials and should be disposed of accordingly.



This appliance contains Lithium-ion battery. Do not dispose of batteries in household waste, fire or water. Dispose of batteries in accordance with the local regulations where they will be recycled in an environmentally friendly manner.

Li-ion







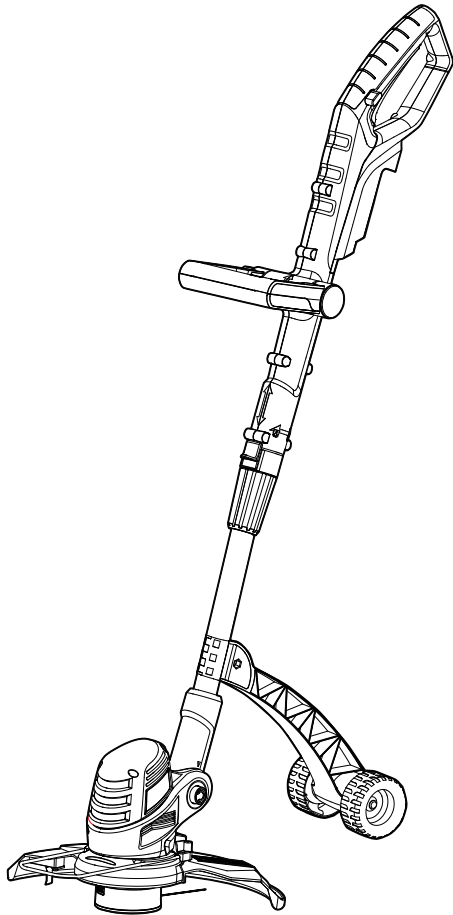
CLMF2434G  
Suzhou Cleva Electric Appliance Co. Ltd  
8 Ting Rong Street,  
Suzhou Industrial District  
215122 Suzhou, Jiangsu Province, P.R.C  
[www.cleva-europe.com](http://www.cleva-europe.com)



# LawnMaster<sup>®</sup>

## Instruction Manual

24V Lithium-ion Cordless Grass Trimmer CLGT2425S



Original Instructions



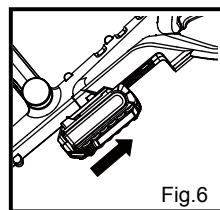
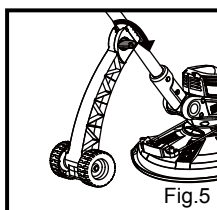
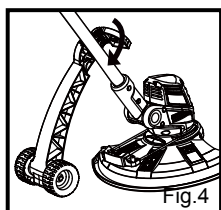
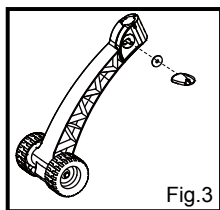
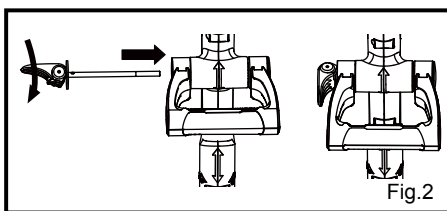
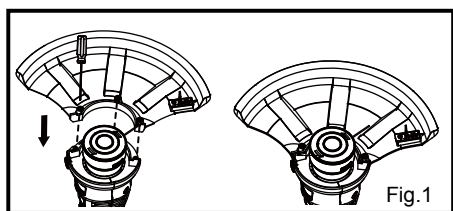
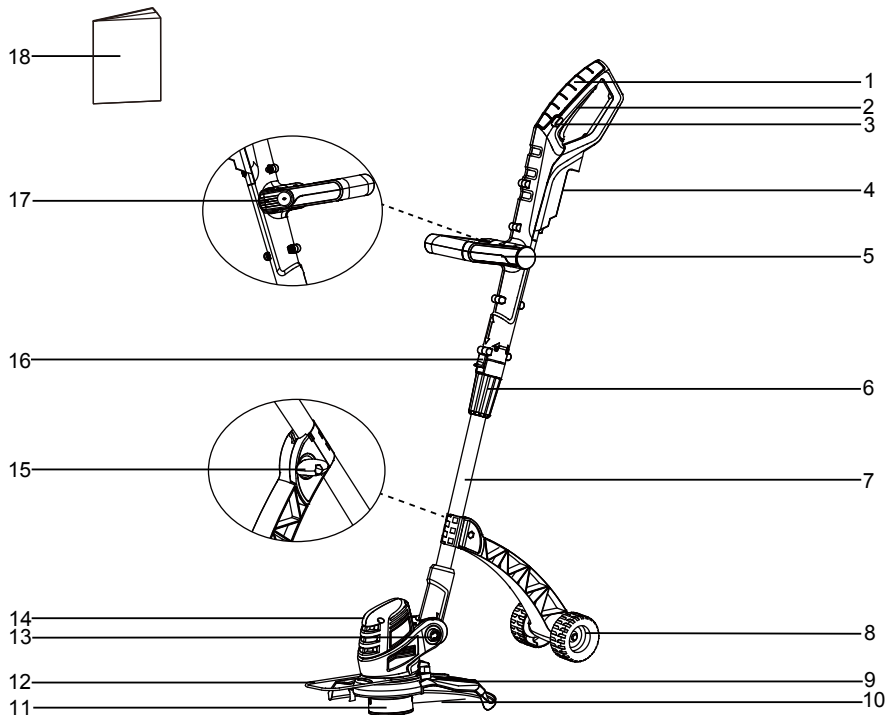
**WARNING:** Read all safety instructions carefully before assembling and operating this machine. Ensure the machine has been assembled correctly and safely. Keep the instructions safe and pass them on to any subsequent user so that the information is always available.



UK  
CA




















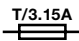


# **TABLE OF CONTENTS**

---

<b>Section</b>	<b>Page</b>
Symbols	5-6
Safety Information	7-13
In the Box	13
Assembly	14
Operation	15-20
Maintenance	21-22
Troubleshooting	23-24
Technical Data	25
Recycling and Disposal	26





# SYMBOLS

The following warning symbols appear throughout this manual and indicate the appropriate safety measures you should take when operating and maintaining the appliance.

SYMBOL	DESIGNATION/EXPLANATION
	Caution
	Read instruction manual.
	Keep bystanders away.
	Do not expose to rain.
	Wear eye protection.
	Wear hearing protection.
	Disconnect the battery pack before any repair or maintenance.
	Noise level specification Lwa in dB(A).
	The cutting head will continue to rotate for a few seconds after the equipment has been switched off. Keep hands and feet well away.
	Beware of objects being thrown by the machine. Keep bystanders a safe distance away from the machine.
	Protection Class II
	Cutting Width
	Only recharge battery packs with the supplied charger indoors.
	Fuse.
	Do not dispose of electrical equipment in domestic waste.
	Batteries contain Li-ion, waste batteries should be sorted for ecofriendly disposal. Do not dispose of waste batteries as unsorted municipal waste.

## SYMBOLS

---

SYMBOL	DESIGNATION/EXPLANATION
	Do not dispose of battery packs in rivers or immerse in water.
	Do not dispose of battery packs in fire.
	Do not subject the battery to direct sunlight over long periods and do not leave it on or near a heat source (max. 60°C).
	Recycle electrical waste products in an environmentally safe way where facilities exist.



## WARNING

To avoid serious personal injury, do not attempt to use this product until you read thoroughly and understand completely the instruction manual.

If you do not understand the warnings and instructions in the instruction manual, do not use this product.

---

# SAFETY INFORMATION

---



## WARNING

Read the instructions carefully. Be familiar with the controls and the correct use of the appliance.

---

### Personal Safety

- This appliance is not intended for use by persons (including children) with reduced physical, sensory or mental capabilities, or lack of experience and knowledge, unless they have been given supervision or instruction concerning use of the appliance by a person responsible for their safety.
- Children should be supervised to ensure that they do not play with the appliance.
- Use the appropriate appliance for the required job. This device is only intended for trimming grass outdoors in domestic and private gardens.
- Consider the work area and environment before each use. Do not expose the machine to high humidity or rain. Do not use the machine in damp and wet conditions. Keep the work area well lit.
- Keep all bystanders, children, and pets away. The operator is responsible for accidents or hazards occurring to other people or property.
- Grip the machine securely. Keep your finger off the trigger until you are ready to use the machine.
- Never reach towards rotating parts with your hands or feet when the product is running. Only remove trimmings when the product is switched off and the battery pack removed.
- Before each use, carefully check the machine for damage.

## **SAFETY INFORMATION**

---

Check for alignment of moving parts, binding of moving parts, breakage of parts, mountings and any other conditions that may affect its correct operation. Do not use the tool if any parts are damaged or defective. Have any damaged or defective parts repaired or replaced by a qualified person.

- When not in use, tools should be stored in a dry, safe place out of the reach of children.
- Maintain tools with care. Keep tools clean and in good condition for better and safer operation. Follow the instructions in the 'Maintenance' section. Keep handles and switches dry, clean and free from oil and grease.

### **General Safety**

- Stay alert, watch what you are doing and use common sense when operating an appliance. Do not use the appliance while you are tired or under the influence of drugs, alcohol or medication. A moment of inattention while operating the appliance may result in serious personal injury.
- Always wear personal protective equipment when operating this product. Eye protection, non-slip safety shoes and hearing protection used for appropriate conditions will reduce personal injuries.
- Do not overreach to operate the product. Keep firm footing and balance at all times. This enables better control of the power tool in unexpected situations.
- Ensure you always wear appropriate clothing while operating the machine. Do not wear loose clothing, long hair or jewelry as these can be caught in moving parts.



## **SAFETY INFORMATION**

---

- Only work in good daylight or appropriate and adequate artificial light.
- Never operate the trimmer with damaged guards or without the safety guards fitted.
- Do not fit the trimmer with a metal cutting element; this tool is designed only to be used with nylon cutting line.
- Only use approved replacement parts and accessories made for this machine by the manufacturer. Failure to do so can result in personal injury.
- Remove the battery pack from the product before carrying out any maintenance or cleaning work, and while the product is not in use or storage.
- Remain in a stable and secure position while operating the trimmer.
- Always ensure that ventilation openings are kept clear of debris.
- Do not cut against hard objects. This could cause personal injury or damage to the trimmer.
- Warning! Cutting elements continue to rotate after the motor is switched off.
- Do not try stopping the cutting device (nylon line) with your hands. Always let it come to a stop by itself.
- Do not use the trimmer to cut grass which is not in contact with the ground; for example do not cut grass which is on walls or rocks etc.
- Do not cross roads or gravel paths with the trimmer still running.
- Always maintain a secure footing while working. Be especially careful when working on sloping terrain.
- Always maintain a safe operating distance. Ensure the

## **SAFETY INFORMATION**

---

cutting line never comes into contact with the operator's body, especially hands and feet.

- Only operate the trimmer when the cutting line is facing away from the user.
- Make sure the working area is free from stones, rubble, wire or other foreign bodies before operating the trimmer.

### **Battery Safety Information**

- Recharge only with the charger specified by the manufacturer. A charger that is suitable for one type of battery pack may create a risk of fire when used with another battery pack. Incorrect use may result in electric shock, overheating or leakage of corrosive liquid from the battery.
- Do not place appliances or their batteries near fire or heat sources. Continuous intense sunlight, fire or other heat sources may cause an increased danger of explosion.
- Do not crush, drop or damage the battery pack. Do not use a battery pack or charger that has been dropped or received a sharp blow. A damaged battery is subject to explosion. Properly dispose of a dropped or damaged battery immediately.
- Batteries can explode in the presence of a source of ignition, such as a pilot light.
- To reduce the risk of serious personal injury, never use any cordless product in the presence of an open flame. An exploded battery can propel debris and chemicals. If exposed, flush with water immediately.
- Do not charge battery in a damp or wet location. Following this rule will reduce the risk of electric shock.

## **SAFETY INFORMATION**

---

- For best results, your battery tool should be charged in a location where the temperature is more than 4°C but less than 40°C.
- Under extreme usage or temperature conditions, battery leakage may occur. If liquid comes in contact with your skin, wash immediately with soap and water. If liquid gets into your eyes, flush them with clean water for at least 10 minutes, then seek immediate medical attention.
- When the battery pack is not in use, keep it away from other metal objects like: paper clips, coins, keys, nails, screws, or other small metal objects that can make a connection from one terminal to another. Shorting the battery terminals together may cause sparks, burns, or a fire.
- Do not open up the battery and avoid mechanical damage to the battery. Risk of short circuit and fumes may be emitted. Ensure fresh air and seek medical assistance in the event of discomfort.
- Always remove battery pack before storing the device. When battery becomes fully charged, unplug the charger from the power supply and remove the battery pack from the charger.
- Keep battery pack dry, clean, and free from oil and grease. Always use a dry cloth when cleaning. Never use brake fluids, gasoline, petroleum-based products, or any solvents to clean battery pack.

### **Charger Safety Information**

- Ensure the battery pack is charged indoors only, in a dry, cool and well-ventilated environment.

## **SAFETY INFORMATION**

---

- Do not use non-rechargeable batteries!
- Do not operate the charger with a damaged cord or plug, which could cause shorting and electric shock. If damaged, immediately discontinue use. Replace the charger with the identical unit as listed in the Product Specifications in this manual. If the power cord for this equipment is damaged, it must be replaced by the manufacturer, a customer service agent of the same or a fully qualified personal in order to prevent hazards.
- The plug of the charger must match the outlet. Never modify the plug in any way. Unmodified plugs and matching outlets will reduce the risk of electric shock.
- Allow a hot battery to cool before charging.
- Before each use, check the charger, cable and plug. Do not use a defective charger and do not disassemble the charger. Incorrect reassembly may result in the risk of fire, electric shock or electrocution.
- Protect the charger against moisture and wet conditions. There is a danger of electric shock.
- Operate the charger only with the appropriate original batteries. Charging other batteries may result in injuries and risk of fire.
- Keep the cord away from heat, oil, sharp edges or moving parts. Damaged or entangled cords increase the risk of electric shock.
- Do not use a charger that has been dropped or received a sharp blow.
- The voltage indicated on the charger rating plate must correspond to the voltage of the power source.
- Never touch the mains plug with wet hands.

# SAFETY INFORMATION

---

## Intended Use

- This product is intended for private domestic use only, not for any commercial trade use. It must not be used for any purposes other than those described. Any use of the machine that deviates from its intended use and is not included in these instructions is considered unauthorised use and relieves the manufacturer from his or her legal liability.

## IN THE BOX

---

- |   |                                  |
|---|----------------------------------|
| 1. Main Handle                          | 10. Trimming Line                |
| 2. On/Off Trigger                       | 11. Trimmer Head with Line Spool |
| 3. Lock-off Switch                      | 12. Plant Protector              |
| 4. Battery Housing                      | 13. Head Adjustment Button       |
| 5. Auxiliary Handle                     | 14. Motor Housing                |
| 6. Locking Collar                       | 15. Wing Knob                    |
| 7. Telescopic Shaft                     | 16. Angle Adjustment Button      |
| 8. Supporting Wheels                    | 17. Quick Release Knob           |
| 9. Safety Guard with Line Cutting Blade | 18. Instruction Manual           |

# ASSEMBLY

---

## Assembly Preparation

- Carefully remove all contents from the product packaging.
- Ensure you have all the accessories and tool(s) needed for assembly and operation. This also includes suitable personal protective equipment.

## Fitting the Safety Guard (See Fig. 1)

- Position the safety guard over the trimmer head and onto rear of the motor housing as shown.
- Secure the guard with screws using a screwdriver (Fig. 1).



## WARNING

The trimming line cutting blade on the safety guard is sharp. When fitting the guard avoid contact with the blade. Failure to avoid contact can result in serious personal injury.

---

## Attaching the Auxiliary Handle (See Fig. 2)

- Loosen the quick release knob anti-clockwise and remove it from the auxiliary handle.
- Pull the ends of the auxiliary handle to extend the handle and slide it over the handle holder.
- Insert in the quick release knob and tighten clockwise by hand. To lock the auxiliary handle in place, fold the knob inwards using moderate force. If it feels too tight when folding in, turn it anti-clockwise to loosen. Do not use excessive force (Fig. 2).

## Supporting Wheels (Optional Use) (See Figs. 3-5)

- Loosen the wing knob anti-clockwise. Remove the wing knob and washer from the supporting wheels (Fig. 3).
- Put the supporting wheels onto the telescopic shaft (Fig. 4).
- Re-install the washer and the wing knob and tighten clockwise by hand to fix the supporting wheels (Fig. 5).

**NOTE:** The position of the supporting wheels can be adjusted by loosening the wing knob and moving to the desired position. The supporting wheels can be moved to up and down the telescopic shaft depending on the height of cut required.

Cut taller grass in stages; remove the supporting wheels when cutting long grass.

## Installing and Removing the Battery Pack (See Fig. 6)

- Insert the battery pack along the support rails into the battery housing. Ensure it clicks firmly into place (Fig. 6).
- To remove the battery pack, press the release button on the battery and remove from the trimmer.



## WARNING

Do not insert the battery until the product is fully assembled. Risk of injury!

---

# OPERATION

## Battery Pack Operation

### ■ Battery Charging



## WARNING

Use only with 24V Lawnmaster® 24LFC12 battery charger.

The battery charger supplied is specifically designed for the lithium-ion battery used in this garden appliance and may cause risk of fire if used with a non-compatible battery pack.

Check the power voltage! Battery chargers operate on 220-240V AC.

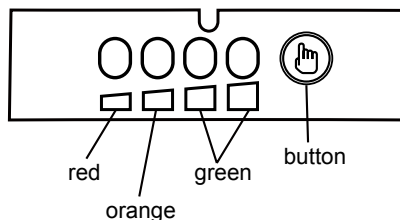
Ensure the battery is charged between 4°C and 40°C. This ensures an optimum battery service life.

Protect the battery from heat, from continuous exposure to sun and keep away from radiation or other heat sources. Do not leave the battery in the trimmer in direct sunlight over long periods. The battery is supplied partially charged. To ensure full capacity of the battery, charge the battery before using your appliance for the first time. The lithium-ion battery can be charged at any time without reducing its service life. Interrupting the charging procedure does not affect the battery.

### ■ Battery LED Indicators

The battery is equipped with a charge-level indicator panel which indicates its charge condition. This charge-level indicator panel consists of 4 LEDs on the battery. Press and hold the charge indicator button on the battery to actuate the charge level indicator. The charge level indicator LEDs go out after releasing the button. The battery charge level can be checked either when the battery is fitted on the machine or removed from the machine.

#### Indicator Lights



LED Indicators on Battery(Continuous lighting)	Battery Capacity
4 LEDs (inc 2 green)	Fully charged
3 LEDs (inc 1 green)	≥ 50%
2 LEDs (orange & red)	≥25%
1 LED (red only)	< 25%. Recharge required

# OPERATION

## Charger Operation (See Fig. 7)



# WARNING

Use only with 24V Lawnmaster® 24LB4005-C battery.


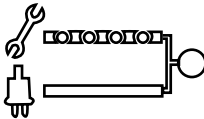

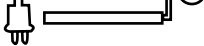




If any part of the charger is missing or damaged, do not operate it! Replace the charger with a new one. Failure to pay attention to this warning could result in possible serious injury.

Check the voltage! The voltage must comply with the information on the rating label.

- Align the slot of the battery pack with the rail on the charger. Slide the battery onto the rail until the battery pack secures into place (Fig. 7).
- Connect the charger to the power supply.
- Allow sufficient charging time (see Technical Data), and then disconnect the charger from the power supply.
- Press the release button on the battery pack and remove it from the charger.

**NOTE:** It is normal for the battery pack and the charger to become warm (but not hot) during charging process. If the battery does not charge properly, check to make sure the electrical outlet is operational. Always charge the battery before storage!

The indicator lights on the charger show the charging status:

Symbol	Indicator lights	Status
		Red, flashing
		Red, continuous
		Green, flashing
		Green, continuous
		Charging paused, see instructions below.
		Connected to power supply (Standby)
		Charging
		Fully charged

The intelligent charger measures the charge level of the battery pack and charges the battery accordingly with the required current and voltage, based on battery temperature and voltage, this ensures maximum battery life. Charge the battery fully before storage.

A flashing red LED light on the charger indicates that the battery temperature is not within the charging temperature range of 4°C - 40°C or the charging current is too high. As soon as the



# OPERATION

---

permitted temperature and the charging current ranges are reached, the battery charger will automatically switch to charging.

After continuous or repeated charging cycles without interruption, the charger may warm up. This is normal and does not indicate a technical defect of the battery charger.

## Switching On and Off (See Fig. 8)

---



# WARNING

Risk of injury! Do not operate the appliance without the safety guard.

To operate the appliance, wear suitable clothing, eye and ear protection.

Prior to every use, check that the appliance is operative. Do not block the on/off trigger or the lock-off switch. The switch and trigger must reliably turn off the motor when you release the switch.

Do not operate the appliance if one of the switches is damaged.

---

**NOTE:** Maintain a firm stance and hold the appliance well with both hands and away from your body. Before turning on the appliance, check that it will not touch any objects.

- Make sure that the battery is installed properly.
  - Press the lock-off switch on either side and hold it in position. Activate the on/off trigger to operate. Once started release the lock-off switch (Fig. 8).
  - To switch off, release the on/off trigger. There is no continuous operation mode.
- 



# WARNING

After turning off the appliance, the trimmer head will continue to rotate for some time. Allow the trimmer head to come to a complete standstill. Keep hands and feet well away. Risk of injury!

---

## Cutting Device - Advancing the Trimmer Line (See Fig. 9)

**NOTE:** A short or worn trimming line will not cut well. If you notice reduced cutting performance, you should check if there is enough trimming line on the spool. Remove the battery pack before inspection. For spool replacement, refer to the Spool Replacement instructions in the Maintenance section.

This trimmer is equipped with an automatic single line mechanism. To release more line, start and stop the trimmer 2 - 3 times.

The trimming line extends automatically during every starting process. For the correct functioning of the automatic line extension mechanism, the spool must stop completely before you restart the trimmer. If the trimming line is initially longer than the cutting diameter, it is automatically

---

## OPERATION

---

shortened to the right length by the line cutting blade.

**NOTE:** Regularly check the trimming line for damage and whether the line still has the correct length defined by the line cutting blade.



### WARNING

The excess line that is cut off has a chance of hitting the user or other objects. Keep hands and feet well away.

#### When no line end is visible:

Replace the line spool (see Spool Replacement instructions in the Maintenance section).

#### Adjusting the line length manually:

Switch off the trimmer and remove the battery. Press the line release button ( ① ), pull the end of the trimming line out and release line release button (Fig. 9). Avoid releasing very long length of the trimming line.

### Safety Guard



### WARNING

The line cutting blade on the safety guard is delivered with a protective covering. Ensure this is removed before first use. Beware of sharp edges.

The device is fitted with a safety guard to protect the operator against thrown objects during operation. Ensure this is always fitted.


#### Auxiliary Handle (See Fig. 10)

The auxiliary handle can be set to various positions. Set the handle in such a manner that the trimmer head is slightly tilting forwards when in the working position.

- Loosen the quick release knob.
- Move the auxiliary handle to desired position (Fig. 10).
- Tighten the quick release knob clockwise and fold it to secure.

#### Telescopic Shaft (See Fig. 11)

The telescopic shaft allows you to adjust the trimmer to suit your height.

- Loosen the locking collar. 
- Adjust the telescopic shaft to the correct length and tighten the locking collar (Fig. 11).

# OPERATION

---

## Trimmer Head Angle (See Figs. 12-14)

Adjust the angle of the trimmer head according to the intended operation.

- Push down the angle adjustment button and hold it in position (Fig. 12).
- Turn the handle section to adjust to desired angle.  $\blacktriangleleft 0^{\circ}-90^{\circ}-180^{\circ} \blacktriangleright$

Adjust to  $0^{\circ}$  when trimming grass on flat ground (Fig. 12). Adjust to  $90^{\circ}$  or  $180^{\circ}$  when trimming near edges and walls (Fig. 13 & 14).

- Ensure that the angle adjustment button snaps into place.
- 



## WARNING

Always ensure that the angle adjustment button snaps into place! Only adjust to indicated angles. Never adjust to any other intermediate position!

---

## Pivoting Head (See Fig. 15)

- The trimmer head has 5 different adjustable positions.
- To adjust the trimmer head, press the head adjustment button and angle the trimmer head to the desired position (Fig. 15).

## Plant Protector (See Fig. 16)

---



## WARNING

Only adjust the plant protector position when the product is switched off and the trimmer head is at a complete stop.

---

Use the plant protector to keep a safe distance from trees and flowers or other objects that could be hit by the trimmer head.

Push the plant protector to its outer position for operation until it snaps into place.

Push the plant protector to its inner position until it snaps into place after operation and when storing (Fig. 16).

---

## Trimming (See Figs. 17-21)

---



## WARNING

Ensure the protective tape on the line cutting blade is removed before use and the safety guard is always fitted to the trimmer.

---

- Adjust the trimmer head into the correct position for the desired cutting method and make sure the shaft rotated to the  $0^{\circ}$  position (see Trimmer Head Angle instructions above).
-

## OPERATION

---

- Hold the grass trimmer firmly and ensure you keep your balance with your feet apart.
- Move the trimmer slowly from side to side in a swinging motion. Ensure the cutting device remains clean and free from off-cuts that may cause it to jam. Check regularly (Fig. 17).
- Hold the grass trimmer head at an angle of approximately 30° to the ground. Avoid pressing it against the ground as this can cause damage to the lawn and product (Fig. 18).

### NOTE!

- When cutting longer or higher grass, make sure that you cut this down in 2 or 3 stages. Do not cut long grass in one cut (Fig. 19).
- Do not cut wet grass, this can stick to the cutting device and guard and prevents proper discharge of grass clippings.
- Wait until the product has come to a complete stop before placing it down.
- Regularly remove clippings and dirt from around the spool and guard. Ensure the product is switched off and the battery removed.
- Pay attention when performing work close to trees and bushes. The cutting device can damage sensitive bark, and damage fence posts.
- Do not move the product too fast as this will result in ineffective cutting and possible damage.
- Carefully manoeuvre the product around objects, such as trees and bushes, ensuring it does not come into contact with them. Use the plant protector to ensure that the cutting device does not come into contact with sensitive plants (Fig. 20).
- Use the plant protector to avoid bringing the cutting device into contact with hard objects such as walls and curbs (Fig. 21).

### Vertical Cutting/Lawn Edge Trimming (See Figs. 22-23)

---



## WARNING

Be particularly careful and attentive when holding the trimmer head vertically. To avoid injuries, keep enough distance to the trimmer head.

---

Setup for vertical trimming (Fig. 22):

Move the trimmer to the right and left in a slow swinging motion to trim slopes and steep inclines.

- Adjust the trimmer head angle to 180°.
- Adjust the trimmer head position to 0°.
- Keep the plant protector in storage position.

Setup for edge trimming (Fig. 23):

To trim lawn edges, slowly move the appliance along the lawn edges.

- Adjust the trimmer head angle to 90°.
- Adjust the trimmer head position to 90°.
- Keep the plant protector in storage position.

# MAINTENANCE

---

## General Maintenance

- Keep all safety devices, air vents and the motor housing free of dirt and dust. Avoid using solvents when cleaning plastic parts. Most plastics are susceptible to damage from various types of commercial solvents and may be damaged by their use. Use clean, dry cloths to remove dirt, dust, oil, grease, etc.
- Remove any buildup of grass and leaves on or around the motor cover. Wipe the grass trimmer with a dry cloth occasionally. Do not use water as this may damage any electrical components.

## Storage

- Clean the grass trimmer prior to storage.
- Store the grass trimmer and any accessories in a dry, frost-free place, away from direct sunlight.
- Remove the battery pack from the grass trimmer before storage.
- Always store the product in a place that is inaccessible to children.
- After each use, check the trimmer thoroughly for any damage. Clean the safety guard and cutting device with a soft, dry brush.
- Do not stand the trimmer on its safety guard. Suspend it by its upper handle in such a manner that the safety guard does not come into contact with other objects. This is because the safety guard could become deformed, thereby changing its dimensions and its safety properties.

## Battery and Charger Maintenance

- Keep the battery and charger clean and clear of debris. Do not allow foreign material into the recessed cavity or on the contacts. Wipe with a dry cloth. Do not use solvents, water, or place in wet conditions.
- Always unplug the charger when there is no battery pack in it.
- Check that the charger and battery contacts have not been shorted by debris or foreign material. Always store away from metal objects which could create a connection with the terminals.
- Always remove the battery when storing the trimmer and keep in a cool dry place out of direct sunlight.
- Store the battery only within a temperature range between 0°C and 25°C and do not subject or store the battery pack to direct sunlight.
- It is recommended to store the lithium-ion battery pack in a 30%-50% charged condition.
- It is recommended to fully charge the lithium-ion battery pack after every six months of storage.

## Spool Replacement (See Fig. 24)

**NOTE:** Use only 1.6 mm diameter round monofilament line. Use original manufacturer's replacement line for best performance.

# MAINTENANCE

---



## WARNING

Before replacing the spool line, make sure the battery is removed from the trimmer. The line cutting blade, located on the safety guard is sharp. Take extra care and wear protective gloves.

---

- Turn the grass trimmer upside down.
  - Press together both the locking tabs ( ② ) on either side of the spool cover ( ③ ) and remove the cover (Fig. 24).
  - Remove the empty spool ( ④ ) from the trimmer head.
  - Refer to the Line Replacement section if only the line needs to be replaced.
  - Set the new spool with the smooth side facing upward onto the trimmer head and put the line end through the line eyelet ( ⑤ ). Pay attention that the line end does not slip off the grooves of the spool. Ensure the line is not held in the parking slot on the spool before replacing the spool cover referring to the Line Replacement section.
  - Replace the spool cover. Ensure that the locking tabs of the spool cover are accurately inserted in the corresponding recesses of the trimmer head. They lock in audibly.
  - Keep the line release button ( ① ) pressed and pull out the line end far enough so that it protrudes over the line cutting blade (Fig. 24).
- 



## CAUTION

After changing the spool, run the trimmer under no load (i.e. away from grass and weeds) for at least a minute to verify the line and the tool are both operating correctly. Use only the spool and line as recommended by the manufacturer.

---

### Line Replacement (See Fig. 25)

- Remove the empty spool from the trimmer head.

**NOTE:** Remove any old line remaining on the spool. Cut a length of line approximately 5 m long. Use only 1.6 mm diameter monofilament line.

- Insert the line into one of the two anchor holes found on the inside upper collar of the spool. Wind the line onto the spool. Ensure the line is wound in the direction indicated by the arrows on the spool.
- Place the end of the line in one parking slot ( ⑥ ) located on the top cover of the spool, leaving some of the line out (Fig. 25).

**NOTE:** Always clean the spool cover and trimmer head housing before reassembling the trimmer head. Always clean the trimmer head before replacing the spool.

- Install the spool in trimmer head as described in the Spool Replacement section. Check to make sure the line is taken out of the parking slot ( ⑥ ) on the spool before replacing the spool cover.

**NOTE:** Only use the appropriate trimming line specified in this manual.

---

# TROUBLESHOOTING



## WARNING

ONLY PERFORM THE STEPS DESCRIBED WITHIN THESE INSTRUCTIONS!



## WARNING

REMOVE THE BATTERY PACK BEFORE TROUBLESHOOTING.

PROBLEM	POSSIBLE CAUSE	SOLUTION
The product doesn't start.	The battery pack is not properly inserted.	Insert the battery pack properly.
	The battery pack is discharged.	Remove and charge the battery pack.
	The battery pack is damaged.	Contact the After Sales Helpline.
	Other electrical defect to the product.	Contact the After Sales Helpline.
Intermittent operation.	Internal loose contact.	Contact the After Sales Helpline.
	On/Off Trigger is defective.	Contact the After Sales Helpline.
Excessive vibration/loud noise.	The line spool is dirty.	Clean the line spool.
	The line spool is defective.	Replace the line spool. Refer to the Spool Replacement section in this manual.
	Motor defective.	Contact the After Sales Helpline.
Unsatisfactory result.	The trimming line is worn or damaged.	Replace the trimming line. Refer to the Line Replacement section in this manual.
	Insufficient trimming line.	Install more line. Refer to the Line Replacement section in this manual.
	The trimming line is not guided out of the spool.	Remove the line spool and thread the trimming line to the outside through the eyelet. Check the line end is not held in parking slots on spool. Replace the spool if necessary.
	The trimmer head is dirty.	Clean the trimmer head.
	The battery pack capacity is too low.	Charge the battery pack.

## TROUBLESHOOTING


---

No-charging procedure possible.	The battery contacts are contaminated.	Clean the battery contacts (e.g. by inserting and removing the battery several times) or replace the battery.
	Socket outlet, fuse, mains cable or battery charger are defective.	Check the mains voltage and fuse, if necessary, contact the after sales helpline.
	The battery has a fault.	Contact the After Sales Helpline.

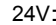



# TECHNICAL DATA

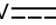
## 24V Grass Trimmer

Rated Voltage	24V 
Cutting Width	25cm
Speed	9200/min
Sound Pressure Level ( $L_{PA}$ )	80dB(A) K=3dB
Sound Power Level ( $L_{WA}$ ) Guaranteed	96dB(A)
Sound Power Level ( $L_{WA}$ ) Measured	88.4dB(A) K=2.48dB
Vibration ( $a_v$ )	3.4m/s <sup>2</sup> K=1.7m/s <sup>2</sup>
Cutting Line Diameter	1.6mm
Weight (Without 4.0Ah Battery)	2.07kg

## CHARGER

Model No.	24LFC12
Charger Input	200-240V ~ 50/60Hz 110W
Charger Output	24V  4.0A
Charging Period (Battery Fully Discharged)	60min (For 24LB4005-C)
Weight of Charger	0.5kg
Insulation Protection of Charger	

## BATTERY

Model No.	24LB4005-C
Rated Voltage of Battery	24V 
Capacity of Battery	4.0Ah
Battery Type	Lithium-Ion
Weight of Battery	0.7kg

## RECYCLING AND DISPOSAL

---



This marking indicates that this product should not be disposed with other household wastes throughout the EU. The machine must be delivered in rigid packaging to avoid damage during transportation. The packaging and the machine itself are manufactured from recyclable materials and should be disposed of accordingly.



This appliance contains Lithium-ion battery. Do not dispose of batteries in household waste, fire or water. Dispose of batteries in accordance with the local regulations where they will be recycled in an environmentally friendly manner.

Li-ion





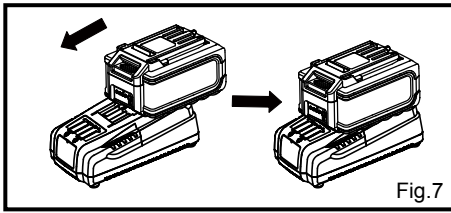


Fig. 7

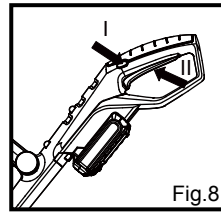


Fig. 8

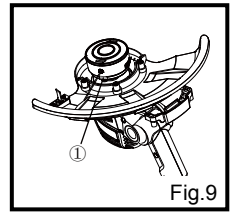


Fig. 9

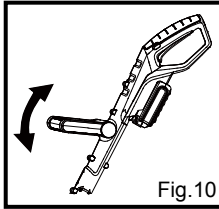


Fig. 10

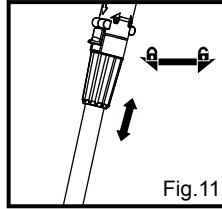


Fig. 11

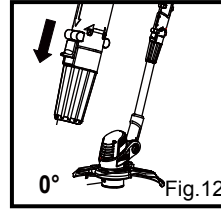


Fig. 12

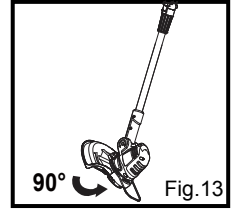


Fig. 13

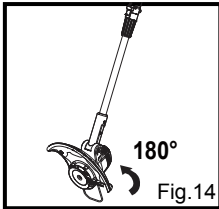


Fig. 14

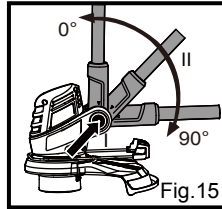


Fig. 15

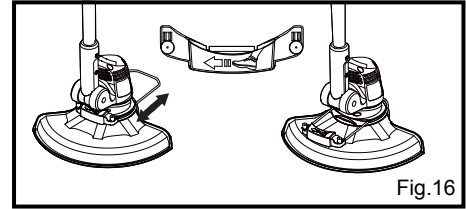


Fig. 16

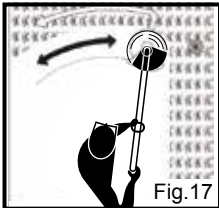


Fig. 17

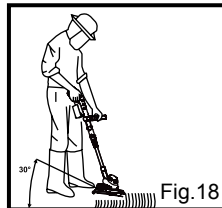


Fig. 18

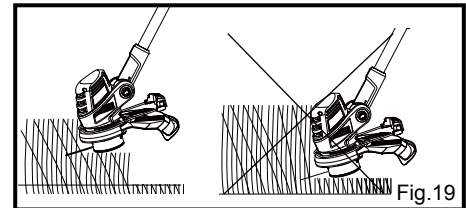


Fig. 19

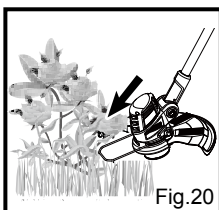


Fig. 20

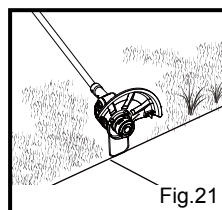


Fig. 21

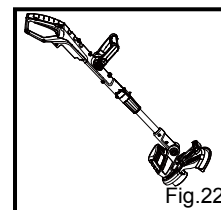


Fig. 22

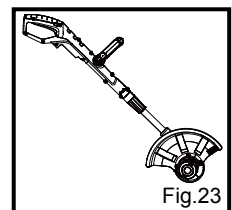


Fig. 23

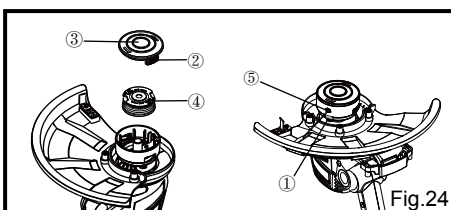


Fig. 24

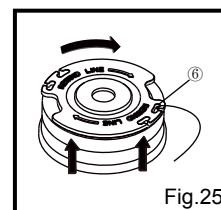


Fig. 25



CLGT2425S  
Suzhou Cleva Electric Appliance Co. Ltd  
8 Ting Rong Street,  
Suzhou Industrial District  
215122 Suzhou, Jiangsu Province, P.R.C  
[www.cleva-europe.com](http://www.cleva-europe.com)