

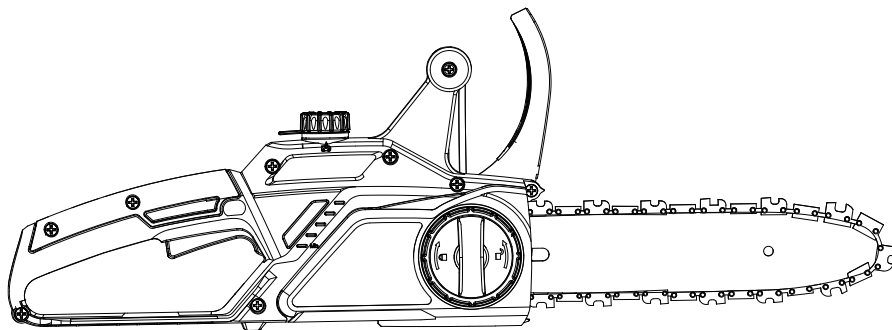
# LawnMaster®

## Instruction Manual

25cm 24V Lithium-Ion Cordless Chain Saw CLCS2425

CLCS2425-01 (With Battery and Charger)

CLCS2425-BARE (Battery and Charger Not Included)



Original Instructions

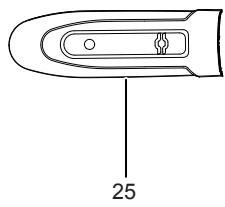
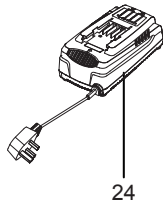
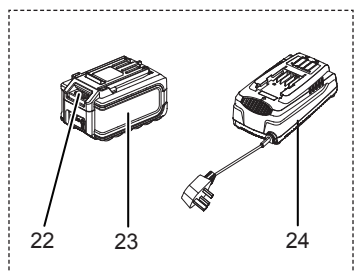
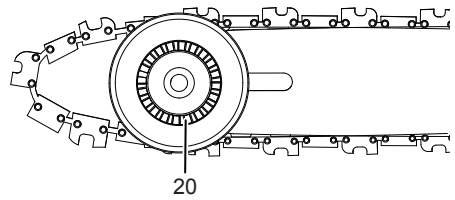
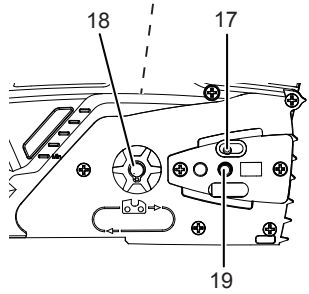
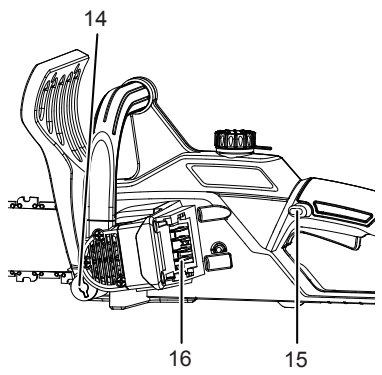
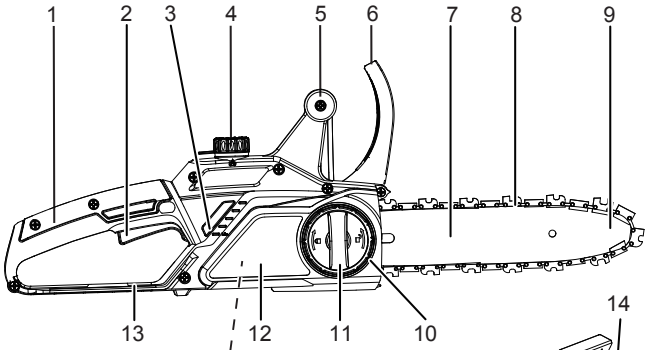
---



**WARNING:** Read all safety instructions carefully before assembling and operating this machine. Ensure the machine has been assembled correctly and safely. Keep the instructions safe and pass them on to any subsequent user so that the information is always available.







not included with CLCS2425-BARE














# TABLE OF CONTENTS

---





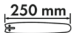




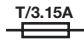






<b>Section</b>	<b>Page</b>
Symbols	5-7
Safety Information	8-18
In the Box	19
Assembly	20-21
Operation	22-29
Maintenance	30-32
Troubleshooting	33-34
Technical Data	35
Recycling and Disposal	36

# SYMBOLS

The following warning symbols appear throughout this manual and indicate the appropriate safety measures you should take when operating and maintaining the appliance.

SYMBOL	DESIGNATION/EXPLANATION
	Caution
	Read instruction manual.
	Read the instruction manual and follow all warnings and safety instructions.
	Keep bystanders away.
	Wear eye protection.
	Wear ear protection.
	Wear gloves with saw protection.
	Use protective clothing.
	Wear safety footwear.
	Always use the chain saw with both hands. Do not use one hand when operating the product.
	Caution! Kickback! Tip contact may cause the guide bar to move suddenly upward and backwards what may cause serious injury to user.
	Contact of the guide bar tip with any object should be avoided.
	Do not expose the chain saw to rain.

# SYMBOLS

SYMBOL	DESIGNATION/EXPLANATION
	Remove the battery from the chain saw before servicing it.
 Open	Symbol on locking knob: Open
 Closed	Symbol on locking knob: Closed
	Noise level specification Lwa in dB(A).
	Guide bar length.
	Correct direction of cutting-teeth.
	Refill chain oil.
	Protection class II (Double insulation)
	Only recharge battery packs with the supplied charger indoors.
	Fuse
	Electrical appliances must not be disposed of with the domestic waste.
	Batteries contain Lithium-ion. Do not dispose of batteries in household waste.
	Do not dispose of battery packs in rivers or immerse in water.
	Do not dispose of battery packs in fire.
	Do not subject the battery to direct sunlight over long periods and do not leave it on or near a heat source (max. 60°C).
	Recycle electrical waste products in an environmentally safe way where facilities exist.

# SYMBOLS

---



## WARNING

To avoid serious personal injury, do not attempt to use this product until you read thoroughly and understand completely the instruction manual.

If you do not understand the warnings and instructions in the instruction manual, do not use this product.

---

## SAFETY INFORMATION

---



### WARNING

**Read all safety directions and instructions.** Omissions in the compliance with safety directions and instructions can cause electrical shock, fire and/or severe injuries.

**Save all warnings and instructions for future reference.**

The term "power tool" in the warnings refers to your mains-operated (corded) power tool or battery-operated (cordless) power tool.

---

### Work Area Safety

- Keep work area clean and well lit. Cluttered or dark areas invite accidents.
- Do not operate power tools in explosive atmospheres, such as in the presence of flammable liquids, gases or dust. Power tools create sparks which may ignite the dust or fumes.
- Keep children and bystanders away while operating a power tool. Distractions can cause you to lose control.

### Electrical Safety

- Power tool plugs must match the outlet. Never modify the plug in any way. Do not use any adapter plugs with earthed (grounded) power tools. Unmodified plugs and matching outlets will reduce risk of electric shock.
  - Avoid body contact with earthed or grounded surfaces, such as pipes, radiators, ranges and refrigerators. There is an increased risk of electric shock if your body is earthed or grounded.
  - Do not expose power tools to rain or wet conditions. Water entering a power tool will increase the risk of electric shock.
-



## **SAFETY INFORMATION**

---

- If operating a power tool in a damp location is unavoidable, use a residual current device (RCD) protected supply. Use of an RCD reduces the risk of electric shock. Use a surge protector with a release current of 30 mA or less.

### **Personal Safety**

- Stay alert, watch what you are doing and use common sense when operating a power tool. Do not use a power tool while you are tired or under the influence of drugs, alcohol or medication. A moment of inattention while operating power tools may result in serious personal injury.
- Use personal protective equipment. Always wear eye protection. Protective equipment such as dust mask, non-skid safety shoes, hard hat, or hearing protection used for appropriate conditions will reduce personal injuries.
- Prevent unintentional starting. Ensure the switch is in the off-position before connecting to power source and/or battery pack, picking up or carrying the tool. Carrying power tools with your finger on the switch or energising power tools that have the switch on invites accidents.
- Remove any adjusting key or wrench before turning the power tool on. A wrench or a key left attached to a rotating part of the power tool may result in personal injury.
- Do not overreach. Keep proper footing and balance at all times. This enables better control of the power tool in unexpected situations.
- Dress properly. Do not wear loose clothing or jewellery. Keep your hair, clothing and gloves away from moving parts. Loose clothes, jewellery or long hair can be caught in moving parts.

## **SAFETY INFORMATION**

---

- If devices are provided for the connection of dust extraction and collection facilities, ensure these are connected and properly used. Use of dust collection can reduce dust-related hazards.
- **WARNING!** During operation, this electric tool generates an electromagnetic field which, under certain circumstances, may impair the functionality of active or passive medical implants. To reduce the risk of serious or lethal injuries, we recommend that persons with medical implants consult their doctor and the manufacturer of their medical implant before operating the machine.
- Change your working position regularly. Long use of the equipment can result in vibration-related circulatory disorders in the hands. However, the length of use can be extended by using suitable gloves or taking regular breaks. Note that a personal tendency for poor circulation, low outdoor temperatures, or high gripping forces during work will reduce the length of use.

### **Power Tool Use and Care**

- Do not force the power tool. Use the correct power tool for your application. The correct power tool will do the job better and safer at the rate for which it was designed.
- Do not use the power tool if the switch does not turn it on and off. Any power tool that cannot be controlled with the switch is dangerous and must be repaired.
- Disconnect the plug from the power source and/or the battery pack from the power tool before making any adjustments, changing accessories, or storing power tools. Such preventive safety measures reduce the risk of starting the power tool accidentally.

## **SAFETY INFORMATION**

---

- Store idle power tools out of the reach of children and do not allow persons unfamiliar with the power tool or these instructions to operate the power tool. Power tools are dangerous in the hands of untrained users.
- Maintain power tools. Check for misalignment or binding of moving parts, breakage of parts and any other condition that may affect the power tool's operation. If damaged, have the power tool repaired before use. Many accidents are caused by poorly maintained power tools.
- Keep cutting tools sharp and clean. Properly maintained cutting tools with sharp cutting edges are less likely to bind and are easier to control.
- Use the power tool, accessories and tool bits etc. in accordance with these instructions, taking into account the working conditions and the work to be performed. Use of the power tool for operations different from those intended could result in a hazardous situation.
- Keep handles and grasping surfaces dry, clean and free from oil and grease. Slippery handles and grasping surfaces do not allow for safe handling and control of the tool in unexpected situations.

### **Service**

- Have your power tool serviced by a qualified repair person using only identical replacement parts. This will ensure that the safety of the power tool is maintained.

## SAFETY INFORMATION

---

### Chain Saw Safety Warnings

- Keep all parts of the body away from the sawing chain when the chain saw is operating. Before you start the chain saw, make sure the sawing chain is not contacting anything. A moment of inattention while operating chain saws may cause entanglement of your clothing or body with the sawing chain.
- Always hold the chain saw with your right hand on the rear handle and your left hand on the front handle. Holding the chain saw with a reversed hand configuration increases the risk of personal injury and should never be done.
- Hold the chain saw by insulated gripping surfaces only, because the sawing chain may contact hidden wiring or its own cord. Sawing chains contacting a “live” wire may make exposed metal parts of the chain saw “live” and could give the operator an electric shock.
- Wear eye protection. Further protective equipment for hearing, head, hands, legs and feet is recommended. Adequate protective clothing will reduce personal injury from flying debris or accidental contact with the sawing chain.
- Do not operate a chain saw in a tree. Operation of a chain saw while up in a tree may result in personal injury.
- Always keep proper footing and operate the chain saw only when standing on fixed, secure and level surface. Slippery or unstable surfaces such as ladders may cause a loss of balance or control of the chain saw.
- When cutting a limb that is under tension, be alert for spring back. When the tension in the wood fibres is released the spring loaded limb may strike the operator and/or throw the chain saw out of control.

## **SAFETY INFORMATION**

---

- Use extreme caution when cutting brush and saplings. The slender material may catch the sawing chain and be whipped toward you or pull you off balance.
- Carry the chain saw by the front handle with the chain saw switched off and away from your body. When transporting or storing the chain saw always fit the guide bar cover. Proper handling of the chain saw will reduce the likelihood of accidental contact with the moving sawing chain.
- Follow instructions for lubricating, chain tensioning and changing accessories. Improperly tensioned or lubricated chain may either break or increase the chance for kickback.
- Cut wood only. Do not use chain saw for purposes not intended. For example: do not use the chain saw for cutting plastic, masonry or non-wood building materials. Use of the chain saw for operations different than intended could result in a hazardous situation.
- Do not attempt to fell a tree until you have an understanding of the risks and how to avoid them. Serious injury could occur to the operator or bystanders while felling a tree.
- This chain saw is not intended for tree felling. Use of the chain saw for operations different than intended could result in serious injury to the operator or bystanders.

### **Causes and Operator Prevention of Kickback**

- Kickback may occur when the nose or tip of the guide bar touches an object, or when the wood closes in and pinches the sawing chain in the cut.
- Tip contact in some cases may cause a sudden reverse reaction, kicking the guide bar up and back towards the operator.

## SAFETY INFORMATION

---

- Pinching the sawing chain along the top of the guide bar may push the guide bar rapidly back towards the operator.
- Either of these reactions may cause you to lose control of the saw which could result in serious personal injury. Do not rely exclusively upon the safety devices built into your saw. As a chain saw user, you should take several steps to keep your cutting jobs free from accident or injury.
- Kickback is the result of tool misuse and/ or incorrect operating procedures or conditions and can be avoided by taking proper precautions as given below:
  - a) Maintain a firm grip, with thumbs and fingers encircling the chain saw handles, with both hands on the saw and position your body and arm to allow you to resist kickback forces. Kickback forces can be controlled by the operator, if proper precautions are taken. Do not let go of the chain saw.
  - b) Do not overreach and do not cut above shoulder height. This helps prevent unintended tip contact and enables better control of the chain saw in unexpected situations.
  - c) Only use replacement bars and chains specified by the manufacturer. Incorrect replacement bars and chains may cause chain breakage and/or kickback.
  - d) Follow the manufacturer's sharpening and maintenance instructions for the sawing chain. Decreasing the depth gauge height can lead to increased kickback.
  - e) Do not saw with the tip of the blade. This can lead to a kickback.
  - f) Ensure that there aren't any objects on the ground that you can trip over.

# SAFETY INFORMATION

---

## Battery Safety Information

- Recharge only with the charger specified by the manufacturer. A charger that is suitable for one type of battery pack may create a risk of fire when used with another battery pack. Incorrect use may result in electric shock, overheating or leakage of corrosive liquid from the battery.
- Do not place appliances or their batteries near fire or heat sources. Continuous intense sunlight, fire or other heat sources may cause an increased danger of explosion.
- Do not crush, drop or damage the battery pack. Do not use a battery pack or charger that has been dropped or received a sharp blow. A damaged battery is subject to explosion. Properly dispose of a dropped or damaged battery immediately.
- Batteries can explode in the presence of a source of ignition, such as a pilot light.
- To reduce the risk of serious personal injury, never use any cordless product in the presence of an open flame. An exploded battery can propel debris and chemicals. If exposed, flush with water immediately.
- Do not charge the battery in a damp or wet location. Following this rule will reduce the risk of electric shock.
- For best results, your battery tool should be charged in a location where the temperature is more than 4°C but less than 40°C.
- Under extreme usage or temperature conditions, battery leakage may occur. If liquid comes in contact with your skin, wash immediately with soap and water. If liquid gets into your eyes, flush them with clean water for at least 10 minutes, then seek immediate medical attention.

## **SAFETY INFORMATION**

---

- When the battery pack is not in use, keep it away from other metal objects like: paper clips, coins, keys, nails, screws, or other small metal objects that can make a connection from one terminal to another. Shorting the battery terminals together may cause sparks, burns, or a fire.
- Do not open up the battery and avoid mechanical damage to the battery. Risk of short circuit and fumes may be emitted. Ensure fresh air and seek medical assistance in the event of discomfort.
- Always remove the battery pack before storing the device. When battery becomes fully charged, unplug the charger from the power supply and remove the battery pack from the charger.
- Keep the battery pack dry, clean, and free from oil and grease. Always use a dry cloth when cleaning. Never use brake fluids, gasoline, petroleum-based products, or any solvents to clean the battery pack.

### **Charger Safety Information**

- Ensure the battery pack is charged indoors only, in a dry, cool and well-ventilated environment.
- Do not use non-rechargeable batteries!
- Do not operate the charger with a damaged cord or plug, which could cause shorting and electric shock. If damaged, immediately discontinue use. Replace the charger with the identical unit as listed in the Product Specifications in this manual. If the power cord for this equipment is damaged, it must be replaced by the manufacturer, a customer service agent of the same or a fully qualified person in order to prevent hazards.



## SAFETY INFORMATION

---

- The plug of the charger must match the outlet. Never modify the plug in any way. Unmodified plugs and matching outlets will reduce the risk of electric shock.
- Allow a hot battery to cool before charging.
- Before each use, check the charger, cable and plug. Do not use a defective charger and do not disassemble the charger. Incorrect reassembly may result in the risk of fire, electric shock or electrocution.
- Protect the charger against moisture and wet conditions. There is a danger of electric shock.
- Operate the charger only with the appropriate original batteries. Charging other batteries may result in injuries and risk of fire.
- Keep the cord away from heat, oil, sharp edges or moving parts. Damaged or entangled cords increase the risk of electric shock.
- Do not use a charger that has been dropped or received a sharp blow.
- The mains input voltage indicated on the charger rating plate must correspond to the mains voltage of the power source.
- Never touch the mains plug with wet hands.

## **SAFETY INFORMATION**

---

### **Intended Use**

- This cordless chain saw is designed for cutting wood only. The product is not designed for any other types of application (e.g. cutting of brickwork or plastic).
- The chain saw is designed for use by adults. Young people over 16 years old may use the chain saw under supervision only. The manufacturer is not liable for damages, which were caused through use in applications for which it was not designed, or incorrect operation.
- This product is intended for private domestic use only, not for any commercial trade use. It must not be used for any purposes other than those described. Any use of the machine that deviates from its intended use and is not included in these instructions will invalidate the warranty.

## IN THE BOX (Refer to Page 2)

---

- |   |                            |
|---|----------------------------|
| 1. Rear Handle                          | 14. Bumper                 |
| 2. On/Off Switch                        | 15. Lock-off Switch        |
| 3. Chain Oil Tank                       | 16. Battery Guide Rails    |
| 4. Chain Oil Tank Cap                   | 17. Oil Port               |
| 5. Front Handle                         | 18. Drive Sprocket         |
| 6. Chain Brake Handle, Front Hand Guard | 19. Support Bolt           |
| 7. Guide Bar                            | 20. Tensioning Plate       |
| 8. Saw Chain                            | 21. Chain Oil              |
| 9. Nose Sprocket                        | 22. Battery Release Button |
| 10. Chain Adjustment Ring               | 23. Battery Pack*          |
| 11. Locking Knob (for Chain Cover)      | 24. Battery Charger*       |
| 12. Chain Cover                         | 25. Guide Bar Cover        |
| 13. Rear Hand Guard                     | 26. Instruction Manual     |

\* not included with CLCS2425-BARE

# ASSEMBLY

---

## Assembly Preparation

- Carefully remove all contents from the product packaging.
  - Ensure you have all the accessories and tool(s) needed for assembly and operation. This also includes suitable personal protective equipment.
- 

## WARNING

If any parts are damaged or missing do not operate this product until the parts are replaced. Failure to pay attention to this warning could result in serious personal injury.

## WARNING

Do not attempt to modify this product or create accessories not recommended for use with this product. Any such alteration or modification is misuse and could result in a hazardous condition leading to possible serious personal injury.

## WARNING

Do not connect the battery before the product is completely assembled. Failure to comply could result in accidental starting and possible serious personal injury.

## WARNING

Always wear protective gloves when working with the chain saw. Do not use any attachments or accessories not recommended by the manufacturer of this product. The use of attachments or accessories not recommended can result in serious personal injury.

---

## Assembling the Guide Bar and the Saw Chain (See Figs. 1-5)

- Place the product on a level surface.
- Turn the locking knob anti-clockwise to remove the chain cover (Fig. 1).
- Spread out the saw chain in a loop so that the cutting edges are aligned in a clockwise direction. Fit the chain around the guide bar ensuring that the direction of the chain is correct as shown (Fig. 2).
- Align the guide bar and saw chain assembly with the support bolt and drive sprocket on the product as shown. Place the guide bar on the support bolt and lay the saw chain around the drive sprocket (Fig. 3).

To assemble, hold the guide bar tilted upwards at an angle of approx. 45 degrees in order to be able to guide the saw chain more easily onto the drive sprocket. It is normal for the saw chain to sag.

- Pre-tension the saw chain by turning the tensioning plate in a clockwise direction (Fig. 4).
-

# ASSEMBLY

---

- Replace the chain cover. Make sure the lug on the cover is first placed in the notch provided on the product. Tighten the locking knob with light force only, as the chain saw must still be tensioned (Fig. 5).

**NOTE:** Tension the chain as described in the Tensioning the Saw Chain section on page 24-25.

**IMPORTANT: ENSURE THE CHAIN IS PROPERLY TENSIONED BEFORE USE.**

## Installing/Removing the Battery Pack (See Figs. 6-8)

---



# WARNING

If any parts are broken or missing, do not attempt to attach the battery pack to the chain saw or operate the chain saw until the broken or missing parts are replaced. Failure to do so could result in serious injury.

---

### Installing the battery pack:

- Align the guide rails with the battery pack, and then insert the battery pack into the guide rails (Fig. 6).
- Push the battery pack until you hear a “click” (Fig. 7).

**NOTE:** Make sure that battery pack firmly snaps into place and is secured to the chain saw before starting operation.

### Removing the battery pack:

- Stop the chain saw.
- Press the release button on the battery pack, grasp the battery pack firmly and pull it out (Fig. 8).

## OPERATION

---



### WARNING

Do not allow familiarity with this type of product to make you careless. Always pay attention when operating this product, not doing so can result in serious injury.



### WARNING

Always use protective equipment when working with the chain saw. Do not use any attachments or accessories not recommended by the manufacturer of this product. The use of attachments or accessories not recommended can result in serious personal injury.

---

### Battery Pack Operation

#### ■ Battery Charging

---



### WARNING

Use only with MX 24V 24LFC12 battery charger approved by the manufacturer.

---

The battery charger supplied is specifically designed for the lithium-ion battery used in this garden appliance and may cause risk of fire if used with a non-compatible battery pack.

Check the power voltage! Battery chargers operate on 220-240V AC.

Ensure the battery is charged between 4°C and 40°C. This ensures an optimum battery service life.

Protect the battery from heat, from continuous exposure to sun and keep away from radiation or other heat sources. Do not leave the battery in the chainsaw in direct sunlight over long periods. The battery is supplied partially charged. To ensure full capacity of the battery, charge the battery before using your appliance for the first time. The lithium-ion battery can be charged at any time without reducing its service life. Interrupting the charging procedure does not affect the battery.

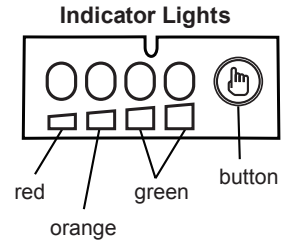
#### ■ Battery LED Indicators

The battery is equipped with a charge-level indicator panel which indicates its charge condition. This charge-level indicator panel consists of 4 LEDs on the battery. Press and hold the charge indicator button on the battery to actuate the charge level indicator. The charge level indicator LEDs go out after releasing the button. The battery charge level can be checked either when the battery is fitted on the chain saw/charger or removed from the chain saw/charger.

---

# OPERATION

LED Indicators on Battery (Continuous lighting)	Battery Capacity
4 LEDs (inc 2 green)	Fully charged
3 LEDs (inc 1 green)	≥ 50%
2 LEDs (orange & red)	≥25%
1 LED (red only)	< 25%. Recharge required.



## Charger Operation (See Fig. 9)




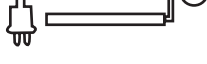



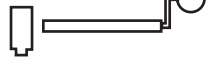
### **WARNING**

Use only with the following batteries approved by the manufacturer: MX 24V 24LB4005, MX 24V 24LB4005-C. If any part of the charger is missing or damaged, do not operate it! Replace the charger with a new one. Failure to pay attention to this warning could result in possible serious injury. Check the voltage! The voltage must comply with the information on the rating label.

- Align the slot of the battery pack with the rail on the charger. Slide the battery onto the rail until the battery pack secures into place (Fig. 9).
- Connect the charger to the power supply.
- Allow sufficient charging time (see Technical Data), and then disconnect the charger from the power supply.
- Press the release button on the battery pack and remove it from the charger.

**NOTE:** It is normal for the battery pack and the charger to become warm (but not hot) during charging process. If the battery does not charge properly, check to make sure the electrical outlet is operational. Always charge the battery before storage!

The indicator lights on the charger show the charging status:

Symbol	Indicator Lights	Status	
		Red, flashing	Charging paused, see instructions below.
		Red, continuous	Connected to power supply (Standby)
		Green, flashing	Charging
		Green, continuous	Fully charged

## OPERATION

---

The intelligent charger measures the charge level of the battery pack and charges the battery accordingly with the required current and voltage, based on battery temperature and voltage, this ensures maximum battery life. Charge the battery fully before storage.

A flashing red LED light on the charger indicates that the battery temperature is not within the charging temperature range of 4°C - 40°C. As soon as the permitted temperature is reached, the battery charger will automatically switch to charging.

If the temperature range is correct and flashing red LED light continues, then remove and reinstall the battery pack. If the LED status repeats a second time, try to charge another identical battery.

If the battery charges normally, dispose of the defective battery pack (see Recycling and Disposal section).

If the flashing red light continues after installing the second battery (ensure the battery temperature is normal), the charger may be defective. Replace with a new one.

After continuous or repeated charging cycles without interruption, the charger may warm up. This is normal and does not indicate a technical defect of the battery charger.

### Tensioning the Saw Chain (See Figs. 10-11)

---



## WARNING

Always switch the product off and remove the battery pack before adjusting the saw chain tension. The cutting edges of the saw chain are sharp! Always wear protective gloves when handling saw chain.



## WARNING

With a new saw chain, you must readjust the chain tension after at least 5 cutting operations.

---

Always check the saw chain tension before use, after first cuts and regularly during use, approx. every five cuts.

After initial operation, new chains can lengthen considerably. This is normal during the break-in period and the interval between future adjustments will lengthen quickly.

If a chain is TOO LOOSE or TOO TIGHT, the guide bar and saw bearings will wear more rapidly. A correctly tightened chain provides the best cutting characteristics and prolonged working life. The chain life mainly depends upon sufficient lubrication and correct tensioning.

- Pull the chain brake handle up against the front handle to ensure that the chain brake has been released (Fig. 10).
  - Loosen the locking knob before adjusting the chain tension.
  - Tighten the saw chain by turning the chain adjustment ring clockwise.  
To loosen the tension, turn the chain adjustment ring anti-clockwise (Fig. 10).
-



## OPERATION

---

- The correct chain tension is achieved when the saw chain can be lifted by approx. 2-4mm from the guide bar in the centre (Fig. 11).
- Turn the locking knob to tighten the chain cover completely.

### Filling the Oil Tank (See Fig. 12)

---



## WARNING

The product is not filled with chain oil. It is essential to fill the product with chain oil before using it! Never operate the product without chain oil, as this will result in extensive damage to the product!

---

**NOTE:** Check the oil fill level regularly. It is recommended to use LawnMaster® bio-oil. If you have no LawnMaster® bio-oil available, use chain lubrication oil with low adhesive additive content.

- Place the product on a level surface.
- Clean the area around the oil tank cap. Unscrew and open the oil tank cap and fill up with chain oil (Fig. 12).

**NOTE:** Ensure the chain oil level is always above the "MIN" mark during operation.

- Wipe off any spilled oil with a soft cloth and refit the chain oil tank cap.

**NOTE:** Always dispose of lubricant, used oil and objects contaminated with them in accordance with local regulations.

---



## WARNING

Always switch off the chain saw and allow the motor to cool before filling with chain oil. There is a risk of fire if oil overflows.

---

### Starting/Stopping the Chain Saw (See Figs. 13-14)

---



## WARNING

Switch on the chain saw only when guide bar, saw chain and chain cover are correctly assembled. Make sure you have a secure stance. Before starting, ensure that the chain saw is in contact with no objects.

---

## OPERATION

---

### To switch on:

- Make sure chain is tensioned correctly according to instructions on page 24-25.
- Ensure the battery pack is sufficiently charged and inserted correctly and that the guide bar cover is removed before starting the chain saw.
- Check that there is sufficient chain oil in the tank.
- Release the chain brake handle by pulling the chain brake handle back against the front handle as shown in Fig. 10.
- Hold the chain saw firmly with both hands, with the right hand on the rear handle and the left hand on the front handle. Thumb and finger must close securely over the handles (Fig. 13).
- To switch on, press the lock-off switch with the right thumb and then press the On/Off switch until the chain saw runs at the fastest speed. Then release the lock-off switch (Fig. 14).

### To switch off:

- Release the On/Off switch. There is no continuous operation mode.
- Remove the battery pack if the chain saw is not going to be used immediately.

### Checking the Oil Supply

Check the chain lubrication before each use.

**NOTE:** This product is equipped with an automatic oiling system. The oiling system automatically delivers the proper amount of oil to the bar and chain.

**Checking the lubrication requires starting the chain saw. Before checking, the product must be fully assembled and all instructions must have been read.**

- Make sure the guide bar and the saw chain are in place when you check the oil delivery.
- Switch on the chain saw. Keep the chain saw running and check: if an oil trace can be seen, the chainsaw is working trouble-free; if no oil trace can be seen, clean the oil passages or contact the After Sales Helpline.

### Checking the Chain Brake Handle

---



## WARNING

The chain saw cannot be turned on if the chain brake has engaged. Do not employ the chain brake in order to start the chain saw or to switch it off.

---

- Place the chain saw onto a solid, flat surface. It must not contact any objects.
  - Release the chain brake handle by pulling it back against the front handle.
  - Hold the chain saw firmly with both hands, with the right hand on the rear handle and the left hand on the front handle. Thumb and finger must close securely over the handles.
  - Turn on the chain saw.
-

## OPERATION

---

- With running motor, activate the chain brake handle with the left hand. Chain should stop abruptly.
  - Once the chain brake handle is working properly, release the On/Off switch and the chain brake handle.
- 



### WARNING

If the chain brake handle does not function correctly, you must not use the chain saw. A slack saw chain leads to danger of injury. Contact the aftersales helpline for assistance.

---

### General Operation (See Fig. 15)

---



### WARNING

It is recommended that first-time users should at least practice cutting logs on a saw horse or frame first.



### WARNING

If the saw chain jams, do not attempt to pull out the chain saw using power. There is a danger of injury. Switch off the motor and use a lever or wedge to free the chain saw.

---

Check the product and accessories for damage before each use. Before use, ensure all power connections are in good working order prior to installing the battery pack. If damage is present or observed, stop and have the chain saw serviced before use. Do not use the product if it is damaged.

**NOTE:** Observe the noise protection and local regulations when cutting wood. Local requirements may require a suitability test. Ask the forestry commission.

- Dirt, stones, loose bark, nails, staples and wire must be removed from the tree.
  - When doing saw work on hillsides, the operator of the chain saw should remain uphill of the tree to be felled, as the tree will probably roll or slide downhill upon felling.
  - Hold the product firmly with both hands. Always keep your left hand on the front handle and your right hand on the rear handle, so that your body is to the left of the chain line.  
The fingers should encircle the handle, with the thumbs wrapped under the handles. Only use the product with a secure stance. Hold the product to the right-hand side of your body. Never allow any part of your body to be in the chain line while operating a saw (Fig. 15).
  - To keep control at the moment of completing the cut, reduce the contact pressure at the end of the cut without loosening the firm grip on the chain saw handles. Ensure that the saw chain does not come into contact with the ground.
-

## OPERATION

---

- After completing the cut, wait for the chain saw to come to a standstill before removing the chain saw.
- Always switch off the chain saw motor before moving from one tree to another.
- You have better control when you saw with the bottom side of the guide bar (with a pulling action) and not with the top side of the guide bar (with a pushing action).
- The saw chain must not contact either the ground or another object during sawing through or after sawing completion.
- Make sure that the saw chain does not become jammed in the wood. Do not let the tree trunk break or split off.
- Consider also the precautions against kickback (see Safety Information section).

### **Bucking (See Figs. 16-19)**

This refers to sawing up a felled tree trunk into smaller sections.

Ensure that you are in a secure position and that your body weight is distributed evenly on both feet. If possible, underpin and support the stem with branches, beams or wedges.

- Ensure that the saw chain does not come in contact with the ground during sawing.
- Make sure you have a secure stance and, in the case of sloping ground, stand above the log. To maintain full control at the moment of "sawing through", reduce the contact pressure at the end of the cut, without releasing the firm grip on the chain saw handles. Once cutting is complete, wait for the saw chain to come to a standstill before removing the chain saw from there. Always switch off the chain saw before changing from tree to tree.

#### **Log is lying on the ground (Fig. 16):**

Saw through the log completely from above and ensure at the end of the cut not to contact the ground.

If you can turn the tree trunk, saw two-thirds of the way through it. Then turn the trunk around and saw the rest of the way through from above.

#### **Log is supported at one end (Fig. 17):**

Start sawing from the bottom and work your way up (with the upper edge of the bar) a third of the way into the diameter of the trunk to prevent splitting. Then saw from the top downwards with the lower edge of the bar towards the first cut to prevent the bar from becoming jammed in the wood.

#### **Log is supported at both ends (Fig. 18):**

Start from the top and work down (with the lower edge of the bar) to a third of the diameter of the trunk. Then saw from underneath with the upper edge of the bar until the two cuts meet.

#### **Sawing on a sawhorse (Fig. 19):**

The best way to hold a log while bucking is to use a sawhorse. When this is not possible, the log should be raised and supported by the limb stumps or by using supporting logs. Be sure the log being cut is securely supported.

# OPERATION

---

- Hold the chain saw steady with both hands and keep the saw to the right of your body while cutting.
- Keep the left arm as straight as possible.
- Keep weight on both feet.

## Limbing (See Fig. 20)

Limbing is for the sawing of branches from a felled tree.

- Leave the larger support limbs under the tree to keep the tree off the ground while cutting. Do not remove support limbs until after the log is bucked (cut) into lengths.
- Support limbs are under tension. Branches under tension should be cut from the bottom up to avoid binding the chain saw.

## Felling

Felling is the term for cutting down a tree. Small trees up to 12-15cm in diameter are usually cut in a single cut.

# MAINTENANCE

---



## WARNING

Always switch the product off, remove the battery pack and let the product cool down before performing inspection, maintenance and cleaning work!



## WARNING

Do not use any attachments or accessories not recommended by the manufacturer of this product. The use of attachments or accessories not recommended can result in serious personal injury.



## WARNING

Always wear protective, heavy gloves and/or wrap the cutting edges of the guide bar with rags when performing guide bar maintenance. Ensure the battery is removed. Failure to pay attention to this warning could result in serious personal injury.

---

### Cleaning

- Clean the chain saw thoroughly after every use. In this way, you extend the life of the machine and avoid accidents.
- Keep the gripping handles free of petrol, oil or grease. Clean the gripping handles, where appropriate, with a damp, soapy cloth. Use no solvents or petrol for cleaning!
- Clean the saw chain after every use with a paint brush or cloth. Do not use any liquids to clean the chain. After cleaning, oil the chain lightly with chain oil.
- Clean the ventilation slots and the surfaces of the chain saw with a paint brush or dry cloth. Do not use any liquids for cleaning.

### Oiling the Saw Chain

Clean and oil the chain regularly. In this way, you keep the chain sharp and get optimum machine performance. In case of damage due to inadequate maintenance of the saw chain, the warranty is invalid. Use cut-protection gloves when you are handling the chain and the guide bar.

- Oil the chain after cleaning, after 10 hours of use or at least once weekly, depending on which comes first.
  - Before oiling, the guide bar must be cleaned thoroughly, in particular the teeth of the rail. Use a brush and a dry cloth to remove any debris.
  - Oil the individual chain links with the aid of an oil suction gun with pinpoint tip (available in the specialist trade). Place individual oil drops onto the articulated links and onto the tooth tips of the individual chain links.
-

# MAINTENANCE

---

## Installing a New Saw Chain

In the case of a new chain, the tensioning force decreases after some time. Therefore you must re-tension the chain after the first 5 cuts and at longer intervals after this.

---



## WARNING

Never attach a new chain to a worn drive sprocket or place onto a damaged or worn guide bar. The chain could spring back or break, potentially leading to serious injury.

---

## Maintaining the Guide Bar (See Figs. 21-24)

---



## WARNING

Use cut-protection gloves when handling the saw chain or the guide bar.

---

- Switch off the saw and remove the battery pack.
- Remove the chain cover. Remove the guide bar and saw chain assembly from the support bolt.
- Carefully remove the saw chain from the guide bar.
- Check the guide bar for wear. Remove burrs and straighten the guide surfaces with a flat file.
- Clean the oil port, in order to guarantee automatic oiling of the saw chain. The guide bar must be flipped over every 8-10 working hours in order to guarantee even wear. Flipping over the guide bar requires you to move the tensioning plate to the other side of the bar.

### To flip over the guide bar:

- Locate the fixing screw ( ① ) connecting the guide bar and the tensioning plate on the other side of the guide bar (Fig. 21).
- Release the fixing screw with a Phillips screwdriver to separate the tensioning plate from the guide bar (Fig. 22).
- Keep the tensioning plate in the same position and reverse the guide bar. Re-tighten the fixing screw to secure the tensioning plate to the guide bar (Fig. 23).

**NOTE:** The round lug ( ② ) of the tensioning plate must point towards the drive sprocket.

- Assemble the guide bar, the saw chain and the chain cover referring to Assembling the Guide Bar and the Saw Chain section (Fig. 24).
  - Tension the saw chain referring to Assembling the Tensioning the Saw Chain section on page 24-25.
-

# MAINTENANCE

---

## Battery and Charger Maintenance

- Keep the battery and charger clean and clear of debris. Do not allow foreign material into the recessed cavity or on the contacts. Wipe with a dry cloth. Do not use solvents, water, or place in wet conditions.
- Always unplug the charger when there is no battery pack in it.
- Check that the charger and battery contacts have not been shorted by debris or foreign material. Always store away from metal objects which could create a connection with the terminals.
- Always remove the battery when storing the chain saw and keep in a cool dry place out of direct sunlight.
- Store the battery only within a temperature range between 0°C and 25°C and do not subject or store the battery pack to direct sunlight.
- It is recommended to store the lithium-ion battery pack in a 30%-50% charged condition.
- It is recommended to fully charge the lithium-ion battery pack after every six months of storage.

## Storage

- Remove the battery from the chain saw.
- Clean the chain saw before putting it away.
- Empty the oil tank before longer periods of non-use. Dispose of waste oil environmentally correctly (see Recycling and Disposal section).
- Put on guide bar cover.
- Store the chain saw in a dry place well out of reach of children
- Store the chain saw between 10°C and 25°C. Avoid extremes of cold and heat during storage, in order to prevent impairment of battery performance.



# TROUBLESHOOTING



## WARNING

Only perform the steps described within these instructions! All further inspection, maintenance and repair work must be performed by a qualified specialist.

Gloves and appropriate protective clothing must be worn when performing these instructions.

Always turn off the machine and remove the battery pack, and wait until the guide bar stops before making any adjustment.

PROBLEM	POSSIBLE CAUSE	SOLUTION
The chain saw does not start.	The battery is not installed correctly.	Ensure the battery is correctly installed.
	The battery is not fully charged.	Charge the battery.
	Defective On/Off switch.	Contact the After Sales Helpline.
	Worn carbon brushes.	Contact the After Sales Helpline.
	Defective motor.	Contact the After Sales Helpline.
The chain saw does not reach full power.	Battery pack capacity is too low.	Charge the battery.
	Air vents are blocked.	Clean the air vents.
The motor runs but the saw chain does not rotate.	Chain brake blocks saw chain.	Check the chain brake and release chain brake if necessary. Refer to Checking the Chain Brake Handle section on page 26-27.
	Chain tension is too loose or too tight.	Adjust the chain tension. Refer to Tensioning the Saw Chain section on page 24-25.
	Chain oil tank is empty.	Refill with the correct oil.
	Guide bar or saw chain is damaged.	Contact the After Sales Helpline.
Unsatisfactory cutting performance.	Saw chain is installed incorrectly.	Install the saw chain correctly. Refer to Assembling the Guide Bar and the Saw Chain section on page 20-21.
	Saw chain is blunt.	Sharpen cutting teeth or replace with a new chain.
	Chain tension is insufficient.	Adjust the chain tension. Refer to Tensioning the Saw Chain section on page 24-25.

## TROUBLESHOOTING


Guide bar and saw chain overheats or begins smoking.	Chain oil tank is empty and chain needs lubrication.	Refill with the correct oil.
	Chain tension is too tight.	Adjust the chain tension. Refer to Tensioning the Saw Chain section on page 24-25.
No charging procedure possible.	The battery contacts are contaminated.	Clean the battery contacts (e.g. by inserting and removing the battery several times) or replace the battery.
	Socket outlet, fuse, mains cable or battery charger are defective.	Check the mains voltage and fuse. If necessary, contact the After Sales Helpline.
	The battery has a fault.	Replace the battery.
The charge control LEDs do not light up after inserting the mains plug into the socket.	Mains plug of the battery charger is not plugged in properly.	Insert mains plug fully into the socket outlet.
	Socket outlet, mains cable or battery charger are defective.	Check the mains voltage and if necessary, contact the After Sales Helpline.
	Plug Fuse Blown.	Check and replace fuse in the plug.

# TECHNICAL DATA

## 24V Cordless Chain Saw CLCS2425

Voltage	24V
Chain Speed	4.3 m/s
Oil Tank Capacity	30 ml
Chain Bar	Oregon 100SDEA041
Chain	Oregon 91PX040X
Chain Pitch	9.5 mm
Number of Chain Drive Links	40
Chain Width	1.3 mm
Teeth of the Sprocket Chain Wheel	6
Length of the Guide Bar	250 mm
Sound Pressure Level ( $L_{pA}$ )	71dB(A) K=3dB
Sound Power Level ( $L_{WA}$ ) Guaranteed	96dB(A)
Sound Power Level ( $L_{WA}$ ) Measured	91.6dB(A) K=4.4dB
Vibration ( $a_r$ ) Front Handle	1.98m/s <sup>2</sup> K=1.5m/s <sup>2</sup>
Vibration ( $a_r$ ) Rear Handle	3.5m/s <sup>2</sup> K=1.5m/s <sup>2</sup>
Weight (Without Guide Bar and Saw Chain)	2.55 kg

## CHARGER

Model No.	24LFC12
Charger Input	220-240V~50/60Hz 110W
Charger Output	24V 4.0A
Charging Period (Battery Fully Discharged)	70min (For 24LB4005-C)
Weight of Charger	0.5kg
Insulation Protection of Charger	

## BATTERY

Model No.	24LB4005-C
Rated Voltage of Battery	24V
Capacity of Battery	4.0Ah
Battery Type	Lithium-Ion
Weight of Battery	0.7kg

## RECYCLING AND DISPOSAL

---



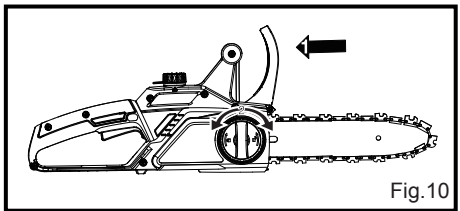
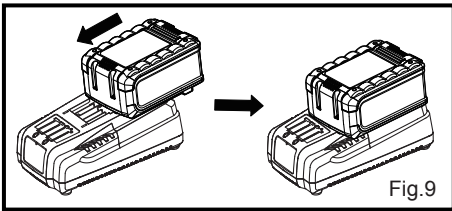
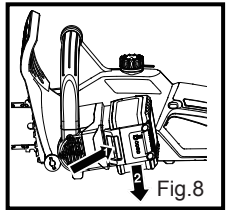
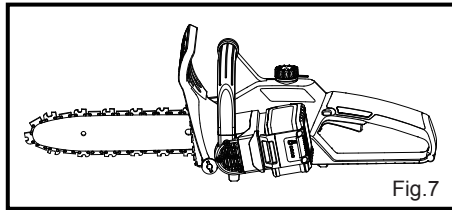
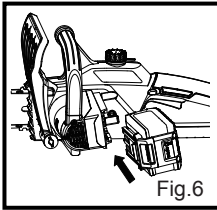
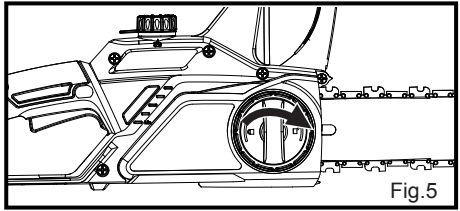
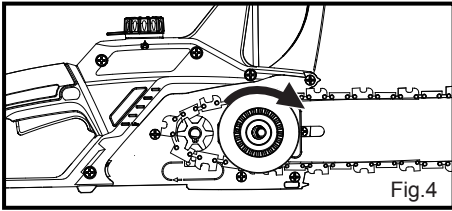
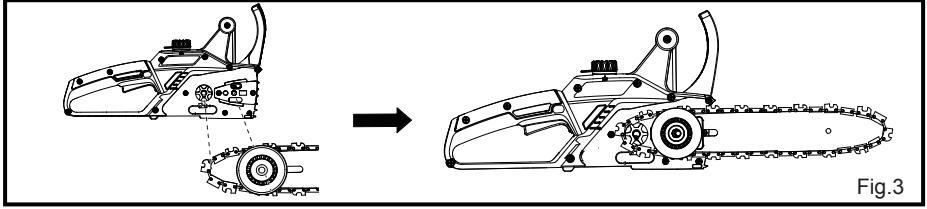
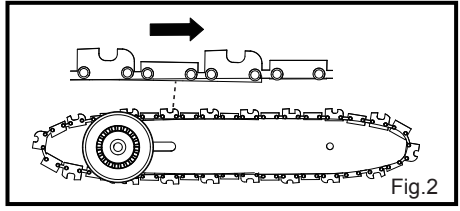
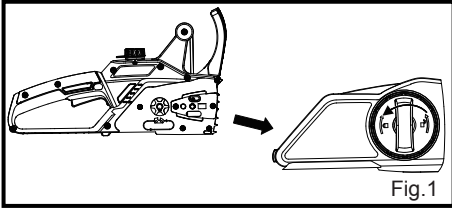
This marking indicates that this product should not be disposed with other household wastes. The machine must be delivered in rigid packaging to avoid damage during transportation. The packaging and the machine itself are manufactured from recyclable materials and should be disposed of accordingly.

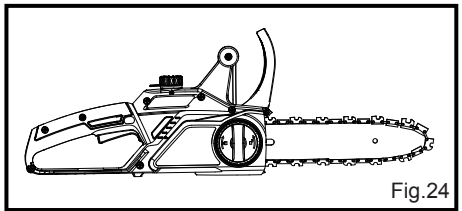
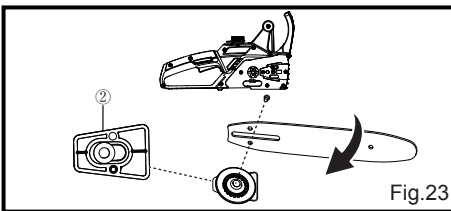
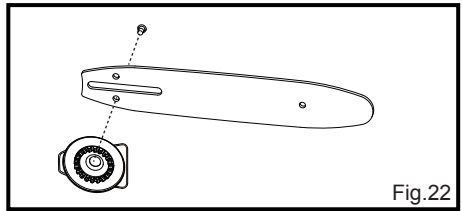
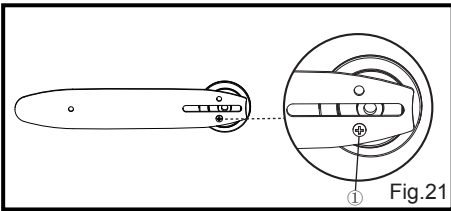
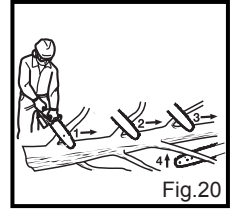
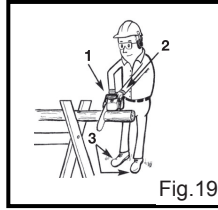
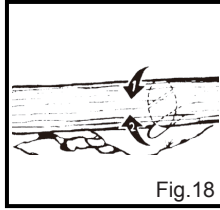
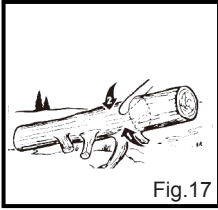
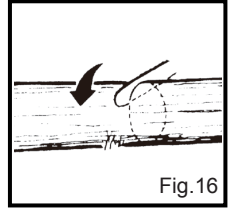
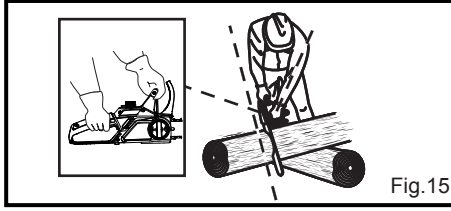
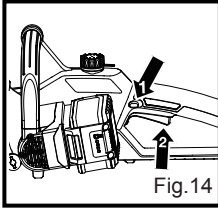
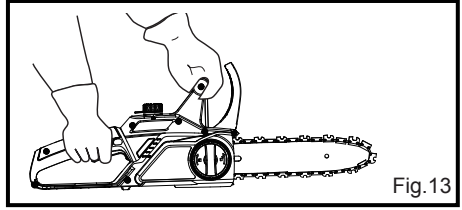
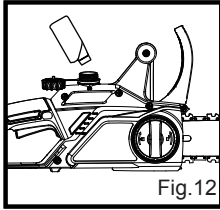
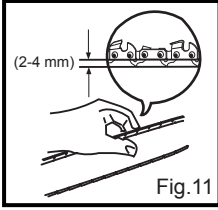


This appliance contains Lithium-ion battery. Do not dispose of batteries in household waste, fire or water. Dispose of batteries in accordance with the local regulations where they will be recycled in an environmentally friendly manner.

Li-ion







CLCS2425  
Suzhou Cleva Electric Appliance Co., Ltd.  
No.8 Ting Rong Street  
Suzhou Industrial Park, Suzhou  
Jiangsu Province, China  
[www.cleva-europe.com](http://www.cleva-europe.com)  
Made in P.R.C