



ASH VACUUM CLEANER / 18L



ORIGINAL OPERATING INSTRUCTIONS

02-11



SAFETY INSTRUCTIONS

IMPORTANT!

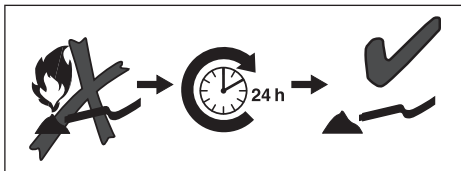
When using the appliance, a few safety precautions must be observed to avoid injuries and damage.

Please read the complete operating instructions with due care. Keep this manual in a safe place, so that the information is available at all times. If you give the appliance to any other person, hand over these operating instructions as well.

We cannot accept any liability for damage or accidents which arise due to a failure to follow these instructions and the safety instructions.



“Caution - Read the operating instructions to reduce the risk of inquiry”



Wait at least 24 hours before vacuuming an oven or a fireplace in order to be sure that the fire has gone out and the ash has cooled down. Only for cold ash, see the operating instructions!

SAFETY REGULATIONS

CAUTION

Read all safety regulations and instructions.

Any failures made in following the safety regulations and instructions may result in an electric shock, fire and/or serious injury.

Keep all safety regulations and instructions in a safe place for future use.

This appliance is not to be used by people (including children) with disabilities, whether physical, sensory or cognitive, or by people without prior experience/adequate knowledge of the appliance, without supervision by qualified safety personnel, or instructions on how to use it.

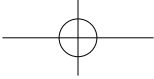
Children must always be supervised in order to ensure that they do not play with the appliance.

- Important: Read the operating instructions before assembling and using the appliance for the first time.
- Check that the mains voltage is the same as the mains voltage specified on the rating plate.
- Pull out the power plug in the following circumstances: Whenever the appliance is not in use, before opening the appliance and before all cleaning and maintenance work.
- Never clean the appliance with solvents.
- Never pull the plug out of the socket by pulling the cable.
- Never leave the appliance unattended when operational.
- Keep away from children.
- Take care to ensure that the power cable does not get damaged by being run over, crushed, pulled or suchlike.
- Do not use the machine if the power cable is in a less than perfect condition.
- If the power cable has to be replaced, the replacement must comply with the design specifications of the manufacturer.



Power cable: H 05 VV - F 2 x 0,75 mm²

- Never vacuum the following: Burning matches, smouldering ash and cigarette butts, combustible, caustic, inflammable or explosive substances, vapour or liquids.
- This appliance is not suitable for vacuuming hazardous dust which can be harmful to health.
- Store the appliance in a dry indoor location.
- Never use the appliance if it is damaged.
- Only allow the appliance to be serviced by an authorized customer service center.
- Only use the appliance to carry out work for which has been designed.
- Use only genuine accessories and spare parts.
- The guidelines in the operating instructions must be observed. The safety and accident-prevention regulations from the lawgiver are also to be observed.
- Do not extract ashes from prohibited fuels.
- Do not use the ash filter to extract hot, glowing or inflammable objects (e.g. charcoal, cigarettes ...).
- Important! The extracted material must not exceed a temperature of 40°C.
- Important! If extracted material exceeds 40°C, there is a risk of fire.
- Important! If the maximum temperature is exceeded, the extractor, the ash filter and the hoses could be damaged.
- Important! Extracted material which looks as though it has cooled off on the outside may still be hot on the inside. Hot extracted material could reignite in the air current.
- Before extraction, wait until the material is cold.
- Wait at least 24 hours before vacuuming an oven or a fireplace in order to be sure that the fire has gone out and the ash has cooled down.
- Check the hose, ash filter and tank when vacuuming for excessive temperature rises.
- If the appliance heats up, switch it off, pull the mains plug out. Separate the ash filter from the extractor and remove the extracted material. Next, let the extractor and the ash filter



cool off outside, under supervision.

- If the power cable for this appliance is damaged, it must be replaced by the manufacturer or its after-sales service or similarly trained personnel to avoid danger.
- Cold ash no longer contains any glowing embers or radiates any heat. This can be checked by combing through the ash with a metal object before you use the ash vacuum cleaner.
- Before and after vacuuming, empty and clean the tank in order to prevent the accumulation of materials which could present a fire hazard.

INTENDED USE

The ash vacuum cleaner is suitable for vacuuming cold ash or cold material residues from fireplaces, charcoal ovens, ash-trays or barbecues.

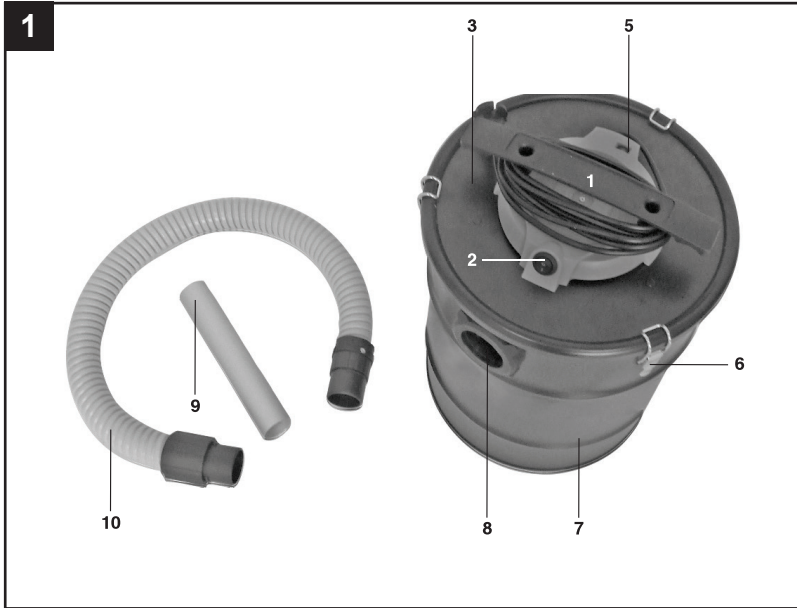
The machine is to be used only for its prescribed purpose. Any other use is deemed to be a case of misuse. The user/operator - not the manufacturer - will be liable for any damage or injuries caused as a result thereof.

Please note that our appliance has not been designed for use in commercial, trade or industrial applications. Our warranty will be voided if the appliance is used in commercial, trade or industrial businesses or for equivalent purposes.

TECHNICAL DATA

Mains Voltage:	220-240V~50Hz
Power Input:	700 W
Tank Volume:	18 l
Weight:	3.5 kg

PARTS DESCRIPTION



1. Handle
2. On/off Switch
3. Appliance Head
4. Filter Basket
5. Filling Level Indicator
6. Locking Hook
7. Tank
8. Suction Hose Connector
9. Suction Tube
10. Flexible Hose
11. PTFE Filter Cartridge For Fine Ash Dust
12. Foam Filter

BEFORE STARTING THE APPLIANCE



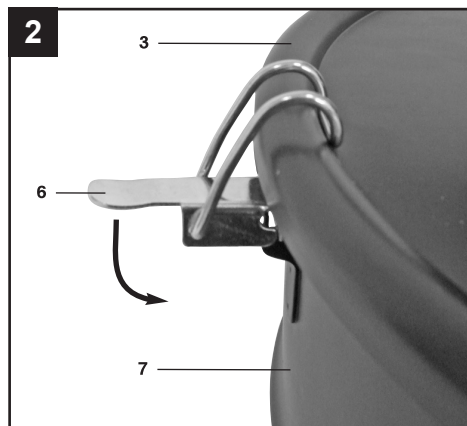
IMPORTANT!

- Before you connect the appliance to the mains supply make sure that the data on the rating plate is identical to the mains data.
- The appliance may only be connected to a shockproof socket.

ASSEMBLY

Fitting the Appliance Head (Fig. 2)

1. Fasten the Appliance Head (3) to the tank using the Locking Hooks (6).
2. Attach the Suction Tube (9) to the end of the Flexible Hose (10).
3. Connect the Flexible Hose to the Suction Hose Connector (8) and turn until securely attached.



OPERATION

On/off Switch (Fig. 1)

Press the ON/OFF switch (2) to switch the equipment ON and OFF.

Filling Level Indicator (Fig. 1)

The ash vacuum is fitted with a filling level indicator (5) . If the filling level indicator (5) shows a red bar, tank contents and filter should be emptied or cleaned.

The red bar indicates severe soiling of the filter; this can occur before the tank is full. You must then tap on the filter to clear it again.



IMPORTANT!

The ash vacuum cleaner is not suitable for the vacuuming of combustible materials!

CLEANING, MAINTENANCE AND ORDERING OF SPARE PARTS



IMPORTANT!

Always pull out the mains power plug before starting any cleaning work.

Cleaning

- Keep all safety devices, air vents and the motor housing free of dirt and dust as far as possible.
- We recommend that you clean the appliance immediately after you use it.

Cleaning the Appliance Head (3)

Clean the appliance regularly with a damp cloth and some soft

soap. Do not use cleaning agents or solvents; these may be aggressive to the plastic parts in the appliance.

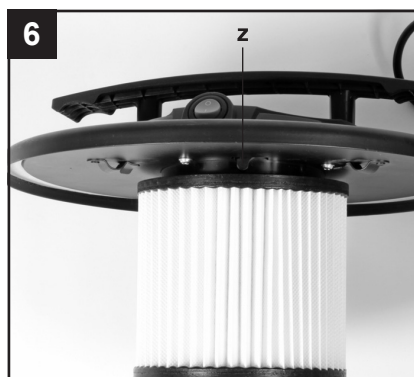
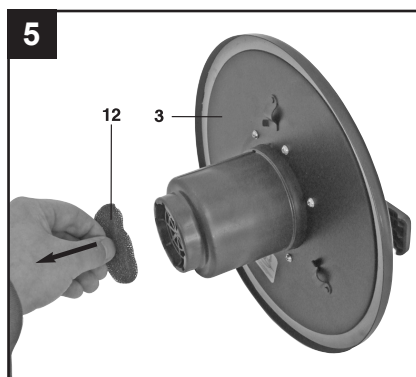
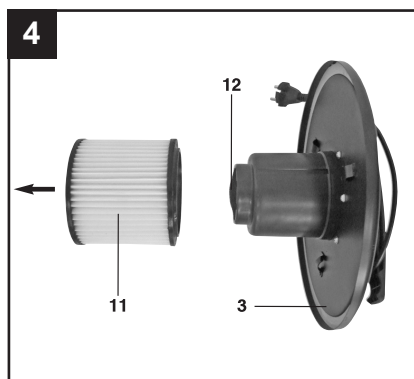
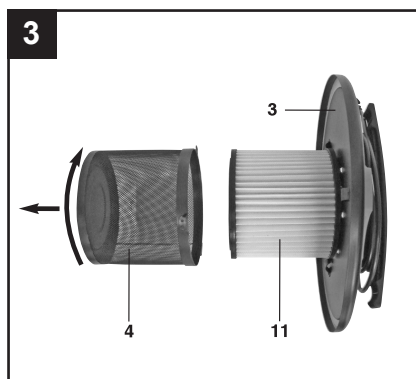
Cleaning the filter (Fig. 3-5)

Turn the filter cage (4) to the left and remove it from the appliance head (3). Next, remove the filter cartridge for fine ash dust (11). Now remove the foam filter (12).

The foam filter (12) can be cleaned with soft soap and running water and dried in the air. Clean the filter basket (4) and the filter cartridge (11), e.g. by tapping and brushing or by blowing out with compressed air at low pressure.

IMPORTANT!

Never use the ash vacuum without the filter!
Always ensure that the filters are perfectly secure.





⚠ IMPORTANT!

If there is no filter cartridge for fine ash dust (11) mounted on the appliance head (3), the ash filter cannot be switched on. The equipment comes with a switch (z) which allows operation only when it is pressed and when a filter cartridge is fitted (Fig. 6).

Servicing

At regular intervals and before each use, check that the filters in the ash vacuum are securely fitted.

Ordering Spare Parts

Please provide the following information on all orders for spare parts:

- Model/type of the appliance
- Article number of the appliance
- ID number of the appliance
- Part number of the required spare part



DISPOSAL AND RECYCLING



The appliance is supplied in packaging to prevent its being damaged in transit. This packaging is raw material and can therefore be reused or can be returned to the raw material system. The appliance and its accessories are made of various types of material, such as metal and plastic.

Defective components must be disposed of as special waste. Ask your dealer or your local council.



DUST BAGS, FILTERS & ACCESSORIES
always available from :
cleva-uk.com