

HyperChiller[®]

Iced Coffee Maker

Instruction Manual

Customer Service Contact:

sales@hyperchiller.com

Hyperbius, Inc.
8140 Belvedere Rd Ste 4
West Palm Beach, FL 33411

90-Day Limited Warranty

Product made in China

HyperChiller® is a registered trademark of Hyperbius, Inc.
Patented: U.S. Patent No. 9,920,983
and other international patents pending

Product Info:

Capacity: 12.5 fl. oz.

Note: Product can be used twice before requiring refreezing

Dimensions:

4.25" diameter x 6.75" height

Materials:

Food grade stainless steel
BPA free Polypropylene plastic

Care:

Top rack dishwasher safe

CAUTION: ENSURE THAT THIS DEVICE IS STABLE AND SECURE AS YOU SLOWLY AND CAREFULLY POUR HOT LIQUID INTO THE DEVICE. DO NOT ALLOW ANY LIQUID TO OVERFLOW FROM OR POOL ON THE TOP OF THE VESSEL. BE SURE THAT THE LIQUID DRAINS FROM THE TOP COMPLETELY BEFORE YOU CONTINUE POURING LIQUID INTO THE CHAMBER. DO NOT OVERFILL.

IMPORTANT - WASH BEFORE USE

(Top shelf dishwasher safe)

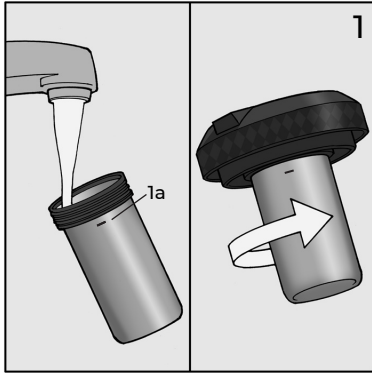
Contents:

1. Lid
2. Small stainless steel cup
3. Large stainless steel cup
4. Black HyperChiller cup

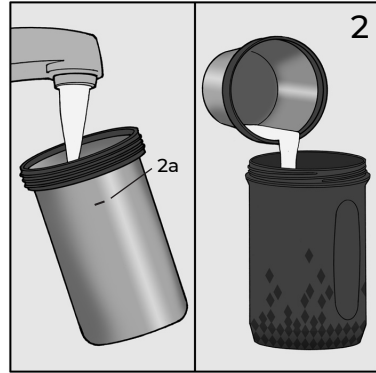
Note: The small stainless steel cup nests inside the large stainless steel cup. Both cups can be attached and detached from the lid by twisting.



Initial Assembly Instructions:



Fill small stainless steel cup with water up to the indented mark (1a), and twist on to the lid.



Fill large stainless steel cup with water up to the indented mark (2a), and empty contents into the black HyperChiller cup.



Twist empty large stainless steel cup on to the lid.



Twist lid assembly to black HyperChiller cup, and place upright in the freezer until solid (up to 12 hours).

Instructions for daily use:



-or-



Step one: Brew fresh coffee directly onto the recessed area of the HyperChiller's lid with your compatible single cup brewer, or carefully pour it in with a carafe. Liquid will flow through the opening at the bottom of the lid, and into the cooling chamber.

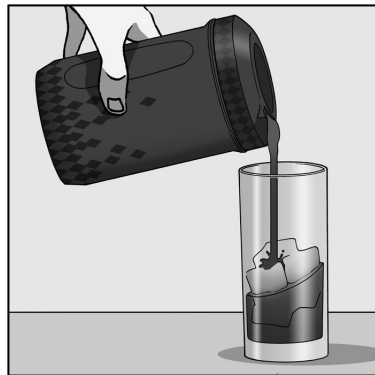
Note: It is OK to pour liquid over the vent on the recessed area of the lid. During use it enables air to escape from the ice chamber, so you may see small bubbles coming from it
Also, once frozen, there is no need to take the product apart for regular use.

Step two: After the coffee is inside the HyperChiller, gently swirl the product every few seconds to keep the coffee moving.

WARNING: USE CAUTION WHEN CHILLING HOT LIQUIDS.

Step three: In as little as one minute, the coffee will have cooled off by up to 130°. Now, pour via the spout in the other side of the lid into your regular glass over ice, and enjoy!

Note: Cooling time requirements vary based on freezer temp, initial liquid temp & volume, as well as whether the product is swirled or not. Please refer to 'Cooling Times' chart on pg 8.



Step four: To get it ready for your next use, simply pour some fresh water through the lid (as you did with coffee), and then pour it back out into the sink. Lastly, dry off condensation from the outside, and put the product back in the freezer in an upright position.

HyperChiller Cooling Times

| | Swirling | Resting |
|-------------------|------------|-----------|
| Small* (6 oz) | 60 seconds | 2 minutes |
| Medium* (8 oz) | 60 s | 2 min |
| Large* (10 oz) | 60 s | 3 min |
| Ex Large* (12 oz) | 90 s | 3 min |
| Wine (6 oz) | 30 s | 60 s |
| Spirits (3 oz) | 30 s | 60 s |

*If you want to enjoy your coffee ice cold, without ice in your drink, add 60+ seconds to the corresponding cooling time.

General Information:

Periodically, the product should be taken apart and thoroughly washed. All parts are top shelf dishwasher safe.

For a demo video of product assembly & use go to:
<https://hyperchiller.com/pages/how-it-works-video>