

*brandstand™*

cübiepod

User Manual

## **Introduction**

Thank you for purchasing the Brandstand CubiePod™. This product offers a user more outlets and USB charging at the desk or nightstand. Please be sure to read this User Manual carefully to ensure proper installation.

The information in this document is subject to change and does not represent a commitment on the part of Brandstand. No part of this document may be reproduced, transmitted in any form or by any means, electronic or mechanical, including photocopying, recording, or information storage and retrieval systems, or translated into any language for any purpose other than the purchaser's personal use, without the written permission of Brandstand.

## **Product Features**

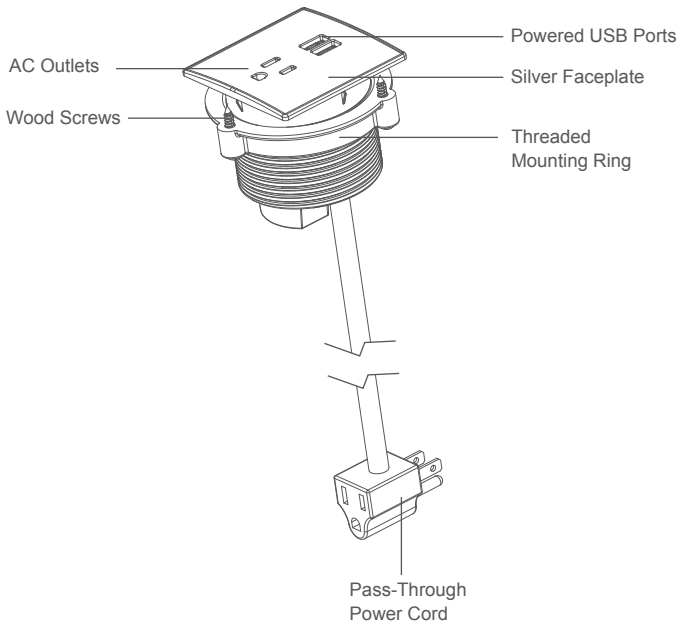
- Convenient connections for AC and USB-powered devices
- Efficient and stylish design
- Complete surge protection through all AC outlets and/or USB Ports

## **Product Description**

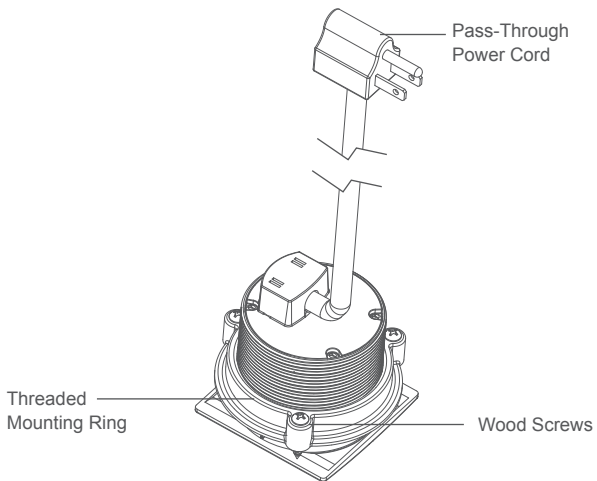
- 1 AC outlet
- 2 USB Charging ports
- Surge Protection
- 6ft 14AWG Power Cord with Pass Through Plug
- Threaded Mounting Ring
- 3 Wood Screws
- Silver Faceplate
- Security C-Clamp for Power Cable



## CubiePod™ - Top View



## CubiePod™ - Bottom View

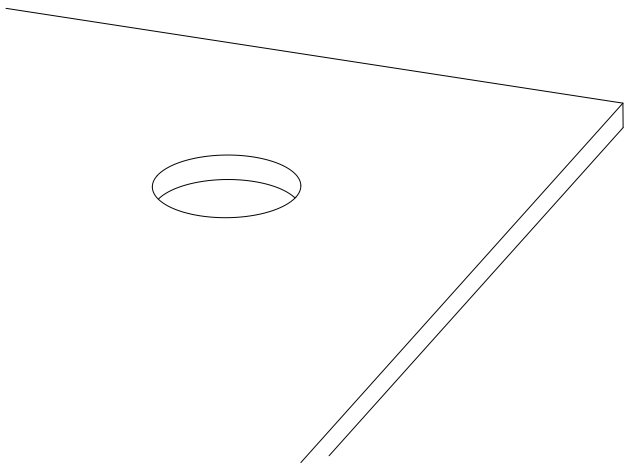


## Quick Installation Guide

### Installation:

For desktop or countertop 1/2" to 2" thick

1. Use a Forstner Bit (preferred) or hole saw to cut 2-3/4" diameter hole.

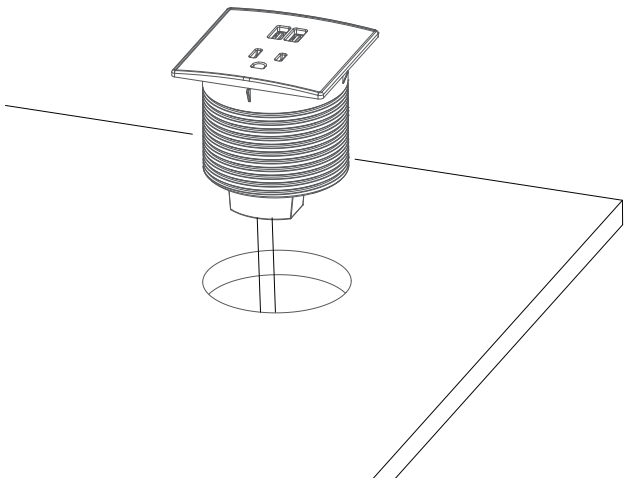


## Quick Installation Guide

### Installation:

For desktop or countertop 1/2" to 2" thick

2. Place CubiePod™ in hole.

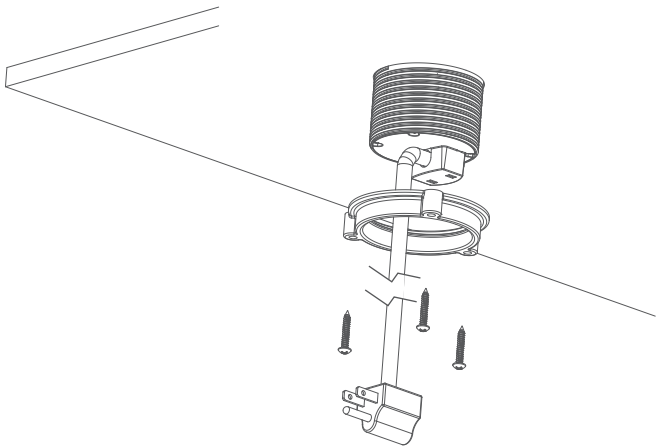


## Quick Installation Guide

### Installation:

For desktop or countertop 1/2" to 2" thick

3. From the underside, tighten the threaded mounting ring
4. Drill pilot holes at the desired screw location. A 1/16" or 3/32" drill bit should be used to reduce the risk of splitting the wood. Install 3 wood screws (included) through mounting ring and into the pilot holes.



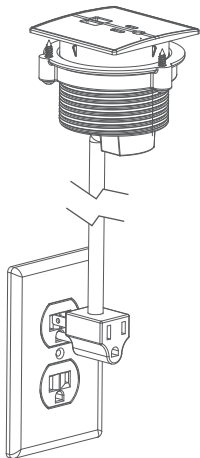
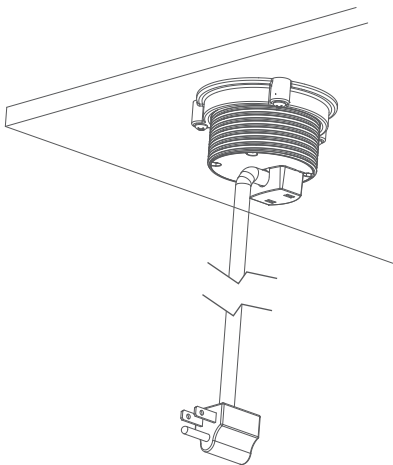


## Quick Installation Guide

### Installation:

For desktop or countertop 1/2" to 2" thick

5. Fasten 3 wood screws to secure CubiePod.
6. Plug directly into wall AC outlet. Do not plug into another surge protector or extension cord.

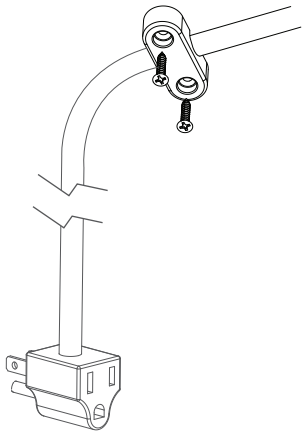


## Quick Installation Guide

### Installation:

**For desktop or countertop 1/2" to 2" thick**

7. For cable management, use C-Clamp. To attach C-Clamp, drill pilot holes into furniture (desk or nightstand) at the desired screw location. A 1/16" or 3/32" drill bit should be used to reduce the risk of splitting the wood. Install Wood Screws (included) through C-clamp and into the pilot holes.



## Technical Specifications

### Continuous Duty Electrical Rating

125VAC 12A 60Hz 1500W

### Maximum Energy Dissipation

900J L-N 300J L-G 300J N-G 300J

### Maximum Spike Current

36000A L-N 12000A L-G 12000A N-G 12000A

### UL Clamping Voltage (3-line)

UL962A 800V

### AC Outlets Output

125V 12A

### Powered USB Output

5V/2.4A shared

### EMI/RFI Filtration

150kHz-1000MHz up to 40db

### Surge Response Time (ns)

<20 ns

### Working Temperature

-40°C – 80°C

### Power Cord

6ft 15W 3-line

### Housing Material

UL94V-0

### Working Surroundings

Indoor Fix Mount

## Important Safeguards

- CAUTION – Do not install this device if there is not at least 10 meters (30 feet) or more of wire between the electrical outlet and the electrical service panel.
- Ensure that the unit is plugged into an AC120V~60Hz outlet. The use of incorrect outlets could cause the unit to malfunction or catch fire.
- To reduce the risk of fire or electrical shock, do not use this device with a receptacle in which the slot openings do not align with the blades.
- Do not allow children to operate the unit without adult supervision.
- Always ensure the product is unplugged from the electrical outlet before relocating or cleaning it.
- Keep the power cord and product away from heated surfaces.
- The unit should not be exposed to dripping or splashing and no objects filled with liquids, such as vases, should be placed on or around the product.
- Do not place or drop product into water or other liquids. If product falls into water, immediately unplug it from the electrical outlet; do not pull on power cord.
- Do not put any stress on the power cord where it connects to the product as the power cord could fray and break.
- Do not plug/unplug the product into/from the electrical outlet with a wet hand.
- Do not operate the product if it has a damaged or cut power cord or adapter, if wires are exposed, if it malfunctions, if it is dropped or damaged, or if it is dropped in or exposed to water.
- Place the unit where there is good air circulation.
- This product has no user-serviceable parts. Do not attempt to examine or repair this product yourself. Only qualified service personnel should perform the servicing; take the product to an electrical repair shop of your choice for inspection and repair.
- No open flame sources, such as candles, should be placed on the product.
- Product should only be used indoors and in dry locations. It should not be used with aquariums or other water-related products.

### **Limited 1 Year Warranty**

Products are warranted by Brandstand against manufacturing defects in materials and workmanship under normal use for one year from the date of purchase. Defective products will be exchanged for the exact same item.

### **Return Policy**

For a refund or exchange, products must be returned within 30 days of original purchase date. Customers must contact Brandstand to obtain a Return Merchandise Authorization (RMA) number and specific shipping instructions prior to returning the product. Any product returned without a RMA will be refused. Product must be in original box with original accessories and packaging in undamaged, clean and brand-new condition. Products that are incomplete, damaged or have been used will require a deduction in refund. There is a 30% restocking fee on all returned products. Refunds will be issued by check. Refund checks are mailed the 10th day from the date the product is returned. Delivery charges and customized products are non-returnable.

### **Disclaimer of Damages**

In no event shall Brandstand, or its suppliers, be liable for indirect, incidental, or consequential damages, loss of profit, loss of use or data, or interruption of business, whether the alleged damages are labeled in tort, contract, or indemnity, even if Brandstand or its suppliers has been advised of the possibility of such damages. Some states do not allow the exclusion or limitation of incidental or consequential damages, so the above limitation may not apply.

**Important:** This product's USB outlets cannot be used as a USB hub and does not transmit data. The powered USB outlets on this unit are intended solely for charging devices that can be charged via a USB interface.

**Brandstand**  
**3301 Matrix Drive #200**  
**Richardson, TX 75082, USA**  
**877-843-3681**  
**[www.brandstand.com](http://www.brandstand.com)**

## **The Brandstand Difference**

### **Surge Protection**

All Brandstand Cubie products pass:

- UL 962A for Furniture Power Distribution Units

### **Liquid Spill Testing**

For enhanced safety, the Cubie Product Line was designed for and successfully passed a UL spill test conducted by our ETL testing lab.

### **Pass-Through Power**

The pass-through power plug allows another device (i.e. lamp or alarm clock) to be plugged into the same wall outlet used by the Cubie Product.